

PLEASE CHECK WWW.MOLEX.COM FOR LATEST PART INFORMATION

Part Number: [53358-1540](#)
Status: **Active**
Description: 2.00mm Pitch Mi II™ Wire-to-Wire Adapter, 15 Circuits, Lead-Free

Documents:

3D Model [Product Specification PS-53358-001 \(PDF\)](#)
Drawing (PDF) [RoHS Certificate of Compliance \(PDF\)](#)
Product Specification PS-51090-003 (PDF)

Agency Certification

CSA LR19980
UL E29179

General

Product Family Accessories
Series [53358](#)
Comments For Panel Mounting
Component Type Adapter
Product Name Mi II™
UPC 756054585061

Physical

Circuits (Loaded) 15
Color - Resin Natural
Flammability 94V-0
Gender N/A
Lock to Mating Part Yes
Material - Metal Brass
Material - Plating Mating Tin
Material - Plating Termination Tin
Material - Resin Polyester
Net Weight 1878.700/mg
Number of Rows 1
Packaging Type Bag
Plating min - Mating 1.016µm
Plating min - Termination 1.016µm
Polarized to Mating Part Yes
Temperature Range - Operating -40°C to +105°C

Electrical

Current - Maximum per Contact 2A

Material Info

Reference - Drawing Numbers

Product Specification PS-51090-003, PS-53358-001, RPS-53358-001
Sales Drawing SD-53358-001

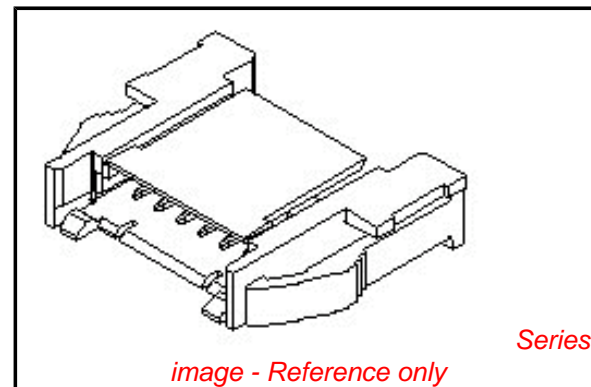


image - Reference only

EU RoHS

**ELV and RoHS
Compliant
REACH SVHC
Contains SVHC: No
Low-Halogen Status
Not Low-Halogen**

China RoHS



**Need more information on product
environmental compliance?**

Email productcompliance@molex.com
For a multiple part number RoHS Certificate of
Compliance, [click here](#)

Please visit the [Contact Us](#) section for any
non-product compliance questions.

Search Parts in this Series

[53358Series](#)

Use With

[51090 Crimp Housing](#), [52484 IDT Housing](#)