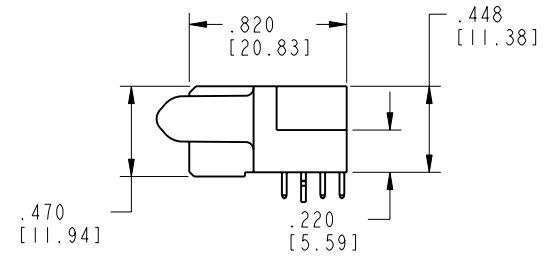
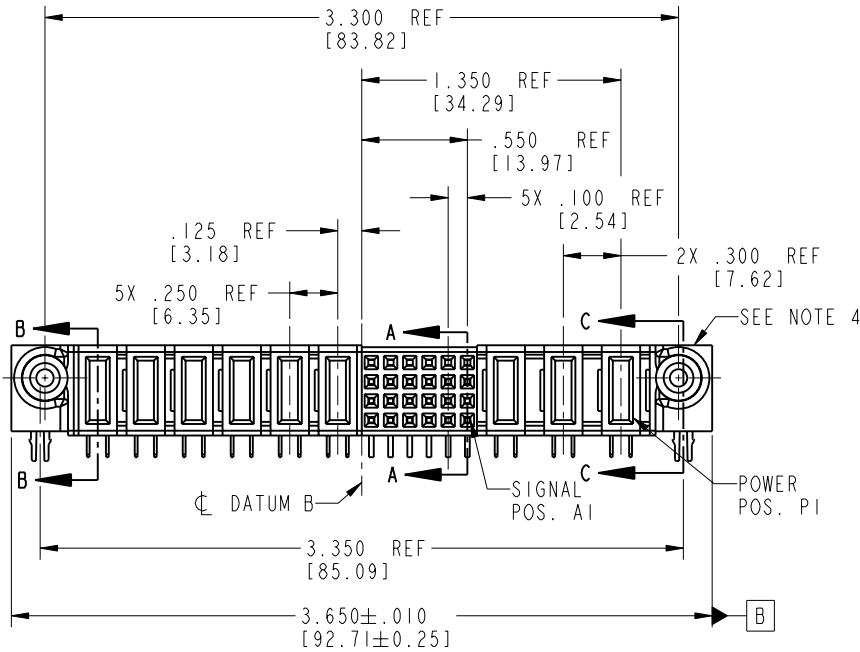
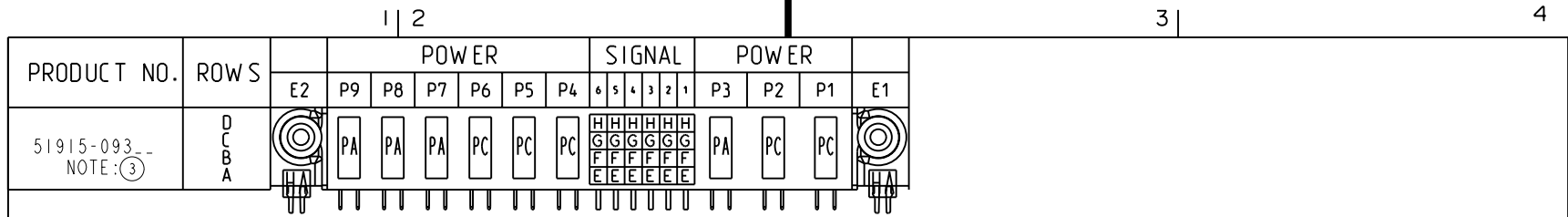


Tous droits strictement réservés. Reproduction ou communication o des liens interdite sous quelque forme que ce soit sans autorisation écrite du propriétaire. Propriété de c FCI. Droits de reproduction FCI.

**FCI**

All rights strictly reserved. Reproduction or issue to third parties in any form, whomever is not permitted without written authority from the proprietor. Property of FCI. Copyright FCI.



CODE	DIM "M" MATING LENGTH	CONTACT TYPE
PA	.042 [1.07]	POWER
H	N/A [N/A]	SIGNAL
G	N/A [N/A]	SIGNAL
F	N/A [N/A]	SIGNAL
E	N/A [N/A]	SIGNAL
HA	N/A [N/A]	HOLD-DOWN
PC	.092 [2.34]	POWER

mat'l code SEE NOTE 2				tolerances unless otherwise specified		CUSTOMER		 www.fciconnect.com	
ltr	ecn no.	dr	date	linear	angles	COPY			
A	DG05-0422	GuoJM	10/28/05	.XX±.01/0.X±0.3	° ± °	projection			
				.XXX±.005/0.XX±0.13		INCH/MM			
				.XXX±.0020/0.XXX±0.051		scale			
				dr JM GUO 10/28/05		1:1			
				enrg SLUO 10/28/05		product family PwrBlade			
				chr VICTOR LIN 10/28/05		size			
				appd JOSEPH HSIA 10/28/05		dwg no			
sheet index		revision sheet		A	A	A		code 213	
		1	2	3	4	A		sheet 1 of 4	

1 | 2

Pro/E

3 |

cage code 22526

4

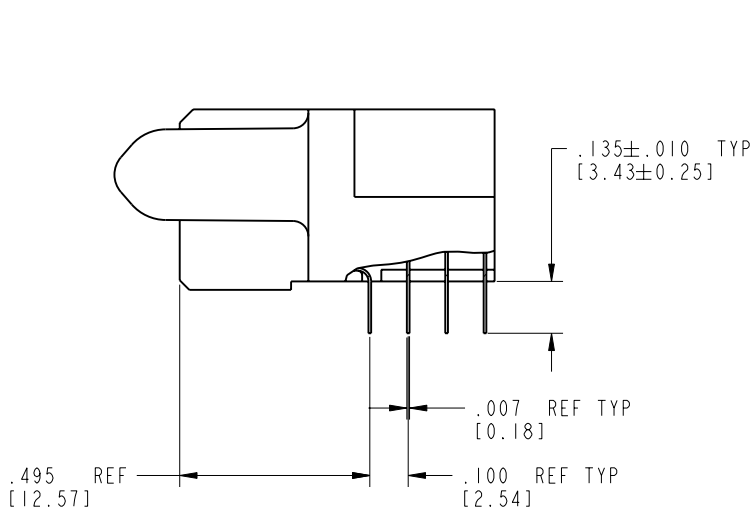
Tous droits strictement réservés. Reproduction ou communication o des liens interdite sous quelque forme que ce soit sans autorisation écrite du propriétaire. Propriété de c FCI. Droits de reproduction FCI.

**A** **FCI**

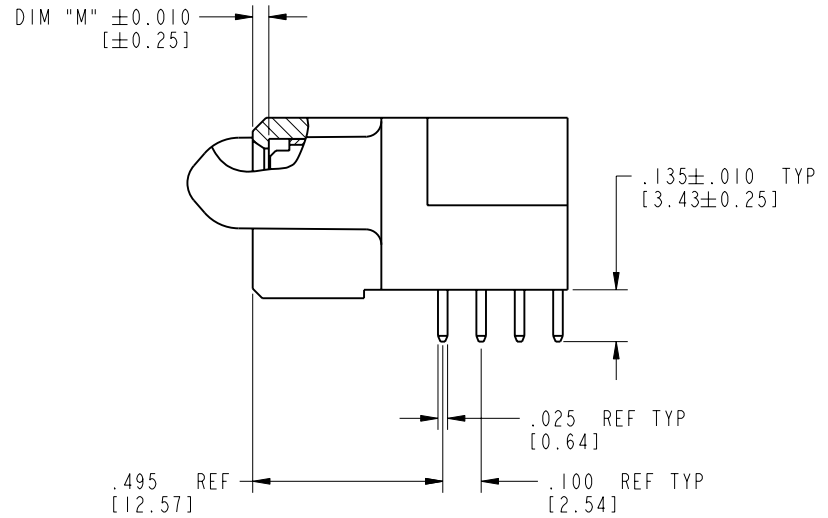
All rights strictly reserved. Reproduction or issue to third parties in any form, whatever is not permitted without written authority from the proprietor. Property of FCI. Copyright FCI.

**B**

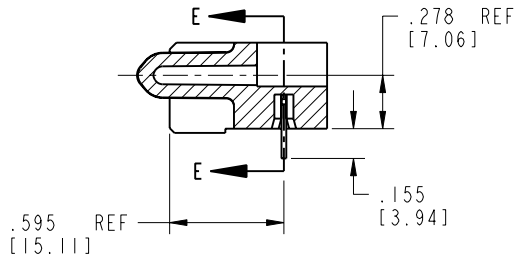
PRODUCT NUMBER  
51915-093\_\_  
NOTE:③



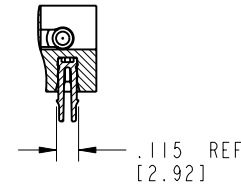
BROKEN-OUT SECTION A-A  
SCALE 2:1



BROKEN-OUT SECTION B-B  
SCALE 2:1



SECTION C-C



SECTION E-E

mat'l code SEE NOTE 2				tolerances unless otherwise specified		CUSTOMER	<b>A</b> <b>FCI</b> www.fciconnect.com	
ltr	ecn no.	dr	date	linear	.XX±.01/0.X±0.3	COPY	title	3ACP + 24S + 6P
A					.XXX±.005/0.XX±0.13	projection	R/A SOLDER RECEPTACLE	
				angles	.XXX±.0020/0.XXX±0.051		product family	PwrBlade
				dr	JM GUO 10/28/05		code	213
				engr	SLUO 10/28/05	scale	size	dwg no
				chr	VICTOR LIN 10/28/05	1:1	A	51915-093
				appd	JOSEPH HSIA 10/28/05		sheet	2 of 4
sheet index	revision sheet							

cage code 22526

Pro/E

**PDM: Rev:A**

STATUS: **Released**

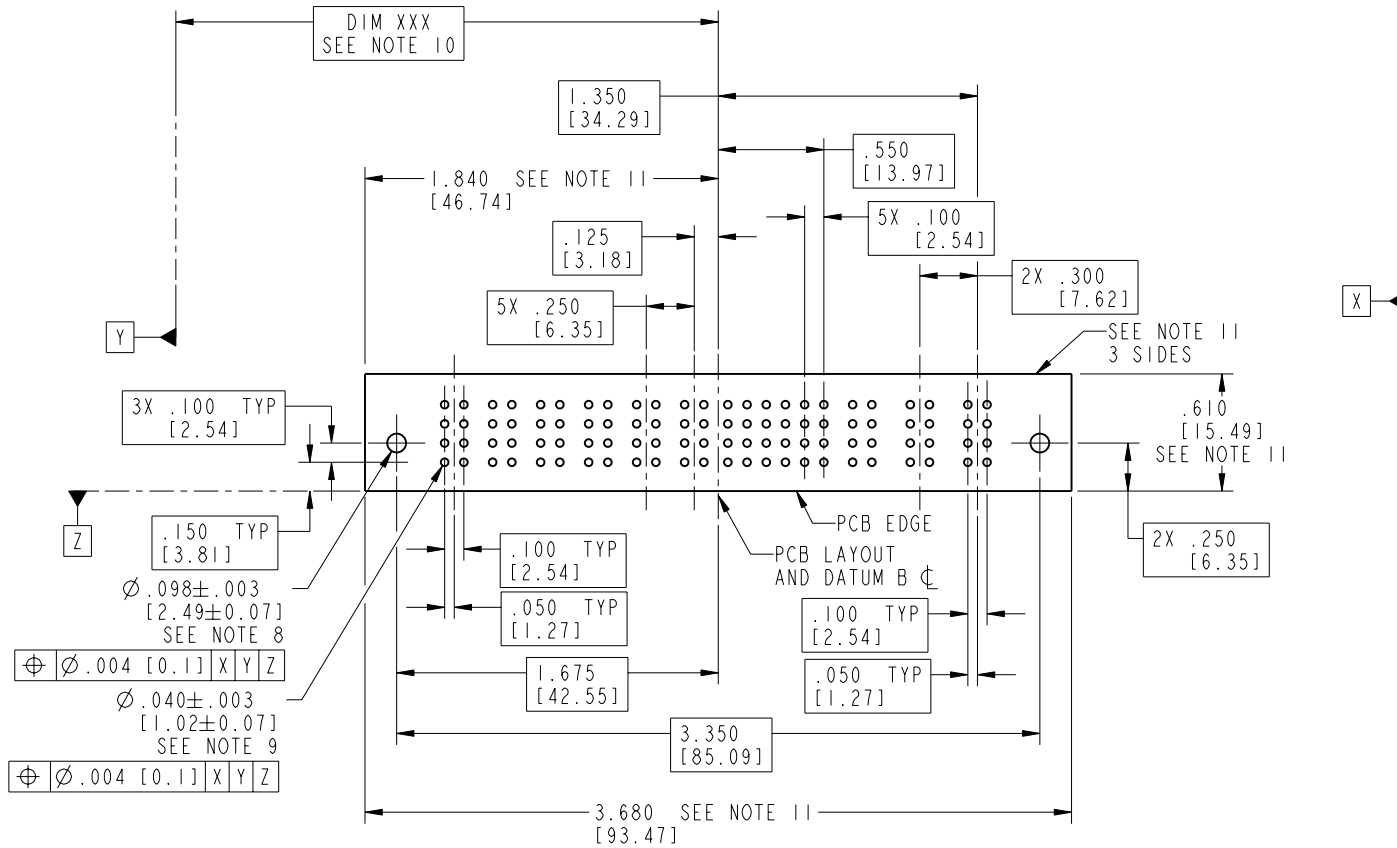
Printed: Dec 20, 2010


Tous droits strictement réservés. Reproduction ou communication o des liers interdite sous quelque forme que ce soit sans autorisation écrite du propriétaire. Propriete de c FCI. Droits de reproduction FCI.

**FCI**

All rights strictly reserved. Reproduction or issue to third parties in any form, whatever is not permitted without written authority from the proprietor. Property of FCI. Copyright FCI.

PRODUCT NUMBER  
51915-093\_\_  
NOTE: ③



mat'l code SEE NOTE 2				tolerances unless otherwise specified		CUSTOMER		 <b>FCI</b> www.fciconnect.com	
lfr	ecn no.	dr	date	linear	.XX±.01/0.X±0.3	COPY			
A				angles	.XXX±.005/0.XX±0.13	INCH/MM		title 3ACP + 24S + 6P R/A SOLDER RECEPTACLE	
				dr	.XXXX±.0020/0.XXX±0.051	scale 1:1			product family PwrBlade code 213 size dwg no 51915-093 sheet 3 of 4
				engr	JM GUO 10/28/05			sheet index revision sheet	
				chr	SLUO 10/28/05				Pro/E 3 coge code 22526 4
				appd	VICTOR LIN 10/28/05			STATUS: Released Printed: Dec 20, 2010	
					JOSEPH HSIA 10/28/05				

Tous droits strictement réservés. Reproduction ou communication o des liers interdite sous quelque forme que ce soit sans autorisation écrite du propriétaire. Propriete de c FCI. Droits de reproduction FCI.

**FCI**

All rights strictly reserved. Reproduction or issue to third parties in any form, whatever is not permitted without written authority from the proprietor. Property of FCI. Copyright FCI.

1 | 2

3 |

4

**PRODUCT NUMBER**

51915-093\_\_  
NOTE:③

NOTES:

1. DIMENSIONS AND TOLERANCES ARE IN ACCORDANCE WITH ASME Y14.5M, 1994 UNLESS OTHERWISE SPECIFIED.

CONNECTOR NOTES:

②. HOUSING MATERIAL: UL 94 V-0 GLASS FILLED  
HIGH-TEMP THERMOPLASTIC  
POWER CONTACT MATERIAL: COPPER ALLOY  
SIGNAL PIN MATERIAL: COPPER ALLOY

3. PLATING:  
51915-093 Singal Pin:30u"/0.76um Au OVER 50u"/1.27um Ni ON THE CONTACT AREA,  
AND 100u"/2.54um SnPb PLATING OVER 50u"/1.27um Ni ON THE TERMINATION SECTION.  
Power Pin:30u"/0.76um Au OVER 50u"/1.27um Ni ON THE CONTACT AREA,  
AND 100u"/2.54um SnPb PLATING OVER 50u"/1.27um Ni ON THE TERMINATION SECTION.  
  
51915-093LF Singal Pin:30u"/0.76um Au OVER 50u"/1.27um Ni ON THE CONTACT AREA,  
AND 78u"/2.00um Sn PLATING OVER 50u"/1.27um Ni ON THE TERMINATION SECTION.  
Power Pin:30u"/0.76um Au OVER 50u"/1.27um Ni ON THE CONTACT AREA,  
AND 78u"/2.00um Sn PLATING OVER 50u"/1.27um Ni ON THE TERMINATION SECTION.

PART NUMBER 51915-093LF MEETS EUROPEAN UNION DIRECTIVE AND IOTHER COUNTRY REGULATIONS AS DESCRIBED IN GS-22-008.

THE HOUSING WILL WITHSTAND EXPOSURE TO 260° PEAK TEMPERATURE FOR 10 SECONDS IN A WAVE SOLDER APPLICATION WITH A CIRCUIT BOARD.

④. MANUFACTURER'S NAME, P/N, AND DATE CODE TO APPEAR ON THIS SURFACE.

5. PRODUCT SPECIFICATION GS-12-149.  
APPLICATION SPECIFICATION BUS-20-067.

6. PACKAGED IN TRAYS.

PCB NOTES:


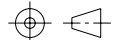

7. ALL HOLE DIAMETERS ARE FINISHED HOLE SIZE.

⑧. MOUNTING HOLES, WHERE APPLICABLE, ARE UNPLATED.

⑨. Ø.0453±.0010 [1.151±0.025] DRILLED HOLES PLATED WITH .0003 [0.008] MIN SnPb OVER .001 [0.03] TO .003 [0.08] Cu PLATING TO ACHIEVE Ø.040±.003 [1.02±.07] HOLE.

⑩. "DIM XXX" TO BE DETERMINED BY THE CUSTOMER.

⑪. CONNECTOR KEEP-OUT ZONE.

mat'l code		SEE NOTE 2		tolerances unless otherwise specified		CUSTOMER		 <b>FCI</b> www.fciconnect.com	
lfr	ecn no.	dr	date	linear	.XX±.01/0.X±0.3	COPY			
A				projection	.XXX±.005/0.XX±0.13			title 3ACP + 24S + 6P R/A SOLDER RECEPTACLE	
				angles	.XXX±.0020/0.XXX±0.051			product family PwrBlade code 213	
				dr	JM GUO 10/28/05	INCH/MM		size 213	
				engr	SLUO 10/28/05	scale 1:1		sheet 4 of 4	
				chr	VICTOR LIN 10/28/05			A 51915-093	
				appd	JOSEPH HSIA 10/28/05				
sheet index	revision sheet								

1 | 2

Pro/E

3 |

coge code 22526

4