

**NOTES**

- △1 図示の斜線部の範囲は、接点部のため傷、打痕、汚れなどをつけないようにしてください  
PLEASE DON'T DAMAGE, DON'T DENT, AND DON'T MAKE IT DIRTY, BECAUSE THE RANGE IN THE HATCHING AREA SHOWN IN FIGURE IS THE CONTACT AREA.
- △2 トレードマーク：MX プラス1文字の製造工場を示すアルファベットにて表示  
ただし"J"はJAPANを示す (例: MXJ)  
FORMED BY MX AND 1 MORE LETTER OF ALPHABET WHICH MEAN THE MANUFACTORY.  
FOR EXAMPLE, "J" MEANS JAPAN (LIKE "MXJ")
- 3. 適用電線違い：503429 シリーズ (ケーブルサイズ：AWG #26-30)  
SIMILAR PRODUCT THAT DIFFERENCE IS APPLICABLE CABLE SIZE: 503429 SERIES (CABLE SIZE: AWG #26-30)

TABLE 1

部品 PART	材質 MATERIAL
ターミナル TERMINAL	銅合金 COPPER ALLOY
	錫めっき：0.4 micro-meters MIN リフロー処理(前めっき) MATTE TIN REFLOW TREATMENT (PRE-PLATING)
	ニッケルめっき(下地)：0.1 micro-meters MIN NICKEL PLATING (UNDER PLATING)

∅0.78-1.28mm	AWG#24-28	ポリ袋 POLY BAG	502579 0100	バラ状 LOOSE
		リール REEL	502579 0000	連鎖状 CHAIN
絶縁被覆外径範囲 INS RANGE	適用電線範囲 WIRE RANGE	梱包形態 PACKAGING	オーダー番号 ORDER No	端子形状 FORM

DIMENSION UNITS		SCALE		CURRENT REV DESC:				molex					
mm	NTS												
GENERAL TOLERANCES (UNLESS SPECIFIED)				EC NO: 632623				CLIK-MATE 1.5 CRIMP TERMINAL TIN PLATING AWG24-28					
ANGULAR TOL ± 3.0°				DRWN: AISHIKAWA 2018/05/10									
4 PLACES ± 0.2				CHK'D: SAKIYAMA 2020/02/28				PRODUCT CUSTOMER DRAWING					
3 PLACES ± 0.2				APPR: KOMURAKAMI 2020/03/03									
2 PLACES ± 0.2				INITIAL REVISION:				DOCUMENT NUMBER					
1 PLACE ± 0.2				DRWN: AISHIKAWA 2018/05/10									
0 PLACES ± 0.2				APPR: KOMURAKAMI 2020/03/03				5025790000-SD		PSD 000 A			
DRAFT WHERE APPLICABLE MUST REMAIN WITHIN DIMENSIONS		THIRD ANGLE PROJECTION		DRAWING		SERIES		MATERIAL NUMBER		CUSTOMER		SHEET NUMBER	
		A3-SIZE		502579		5025790*00		GENERAL		1 OF 2			

# 適用製品及び各種仕様書

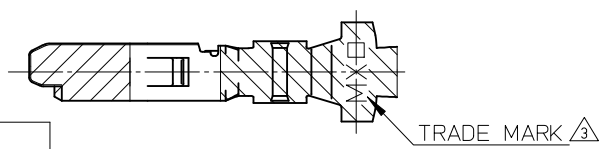
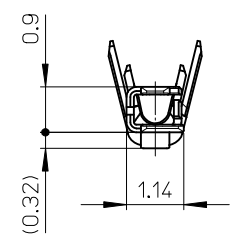
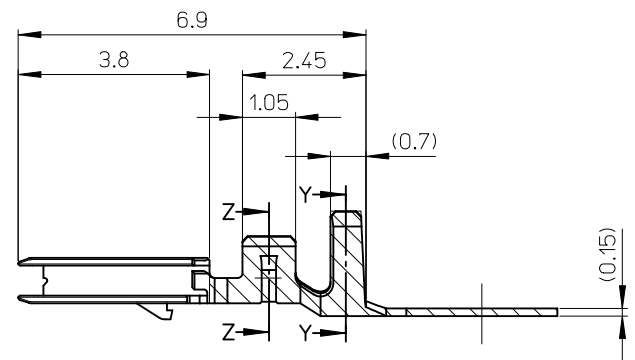
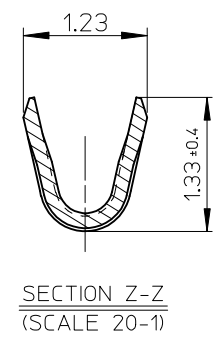
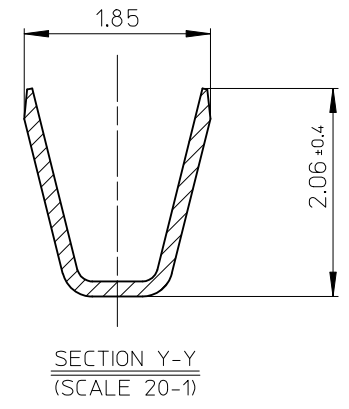
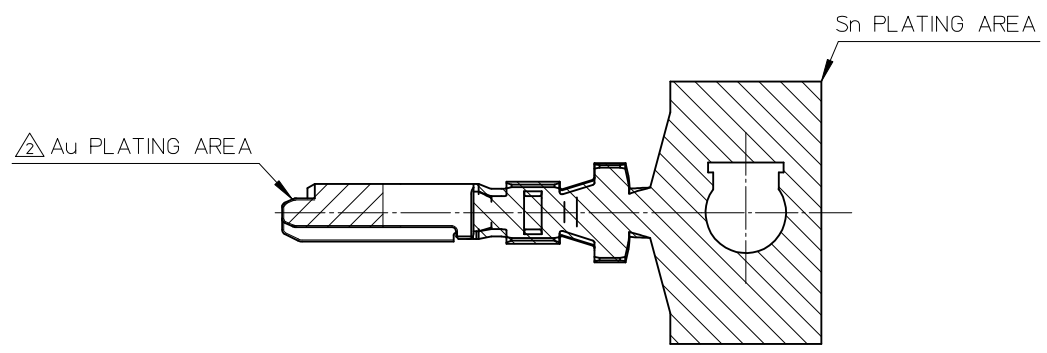
## APPLICABLE PRODUCTS AND VARIOUS SPECIFICATIONS

梱包仕様書 PACKING SPECIFICATION	PART NUMBER 502579 **00	SPECIFICATION NUMBER SPK-502579-001
--------------------------------	----------------------------	--

適用ハウジング APPLICABLE HOUSING	SINGLE TYPE			
シリーズ番号 SERIES No	502578			
適用嵌合相手 MATE WITH	SMT		THROUGH HOLE	BOTTOM ENTRY
	TIN PLATING		TIN PLATING	
	VERTICAL	RIGHT ANGLE	VERTICAL	RIGHT ANGLE
シリーズ番号 SERIES No	502584	502585	503159	503175
製品仕様書 PRODUCT SPECIFICATION	5025780000-PS		5025780002-PS	
取扱説明書 APPLICATION SPECIFICATION	AS-502578-001			AS-503395-001

適用ハウジング APPLICABLE HOUSING	DUAL TYPE	
シリーズ番号 SERIES No	503149	
適用嵌合相手 MATE WITH	SMT	
	TIN PLATING	
	VERTICAL	RIGHT ANGLE
シリーズ番号 SERIES No	503154	503148
製品仕様書 PRODUCT SPECIFICATION	5031490000-PS	5031490001-PS
取扱説明書 APPLICATION SPECIFICATION	AS-503149-001	

THIS DRAWING CONTAINS INFORMATION THAT IS PROPRIETARY TO MOLEX ELECTRONIC TECHNOLOGIES, LLC AND SHOULD NOT BE USED WITHOUT WRITTEN PERMISSION									
DIMENSION UNITS	SCALE	CURRENT REV DESC:			molex				
mm	NTS				CLIK-MATE 1.5 CRIMP TERMINAL TIN PLATING AWG24-28				
GENERAL TOLERANCES (UNLESS SPECIFIED)		EC NO: 632623			PRODUCT CUSTOMER DRAWING				
ANGULAR TOL ± 3.0 °		DRWN: AISHIKAWA 2018/05/10							
4 PLACES ± 0.2		CHK'D: SAKIYAMA 2020/02/28			DOCUMENT NUMBER: 5025790000-SD   DOC TYPE: PSD   DOC PART: 000   REVISION: A				
3 PLACES ± 0.2		APPR: KOMURAKAMI 2020/03/03							
2 PLACES ± 0.2		INITIAL REVISION:			MATERIAL NUMBER: 5025790000-SD   CUSTOMER: GENERAL   SHEET NUMBER: 2 OF 2				
1 PLACE ± 0.2		DRWN: AISHIKAWA 2018/05/10							
0 PLACES ± 0.2		APPR: KOMURAKAMI 2020/03/03							
DRAFT WHERE APPLICABLE MUST REMAIN WITHIN DIMENSIONS		THIRD ANGLE PROJECTION	DRAWING	SERIES	MATERIAL NUMBER		CUSTOMER		SHEET NUMBER
			A3-SIZE	502579	5025790000-SD		GENERAL		2 OF 2



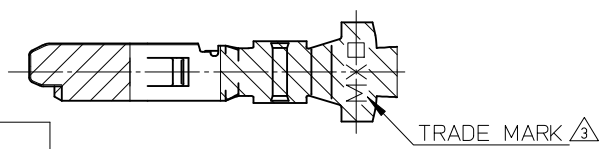
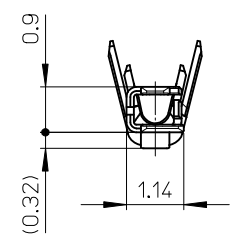
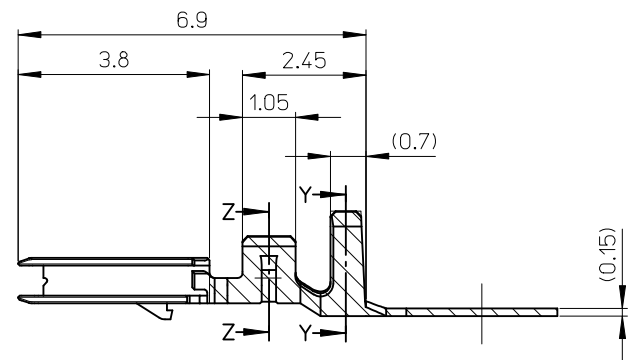
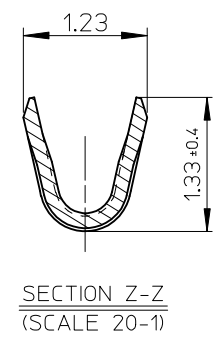
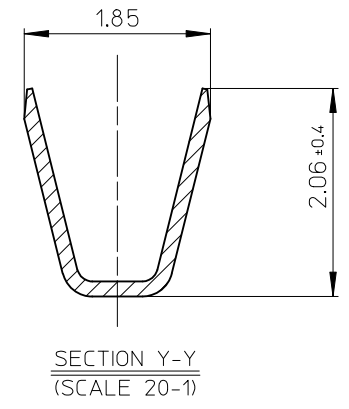
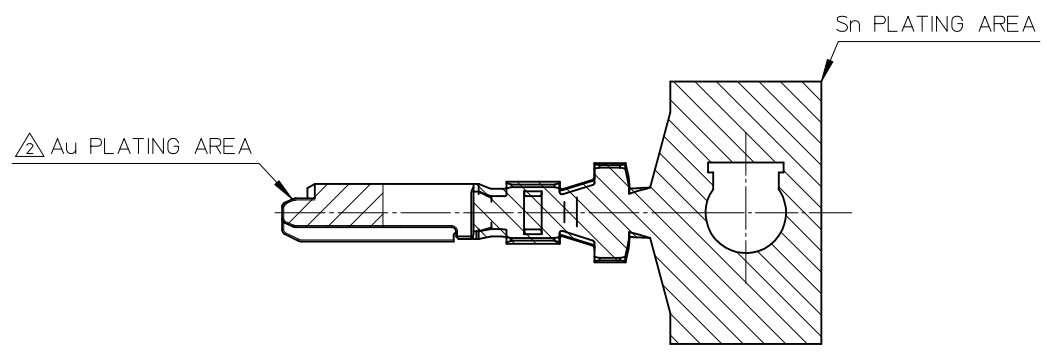
NOTES

- 適合ハウジング: 502578\*\*\*\*, 503149\*\*\*\*  
APPLICABLE HOUSING: 502578\*\*\*\*, 503149\*\*\*\*
- 図示の斜線部の範囲は、接点部のため、傷、打痕、汚れなどを付けないようにして下さい。  
PLEASE DON'T DAMAGE, DON'T DENT, AND DON'T MAKE IT DIRTY. BECAUSE THE RANGE IN THE SHADED PORTION SHOWN IN FIGURE IS THE CONTACT AREA.
- トレードマーク: MX プラス1文字の製造工場を示すアルファベットにて表示。但し「J」は JAPAN を示す。(例 MXJ)  
FORMED BY MX AND 1 MORE LETTER OF ALPHABET WHICH MEAN THE MANUFACTORY. BUT "J" MEANS JAPAN. (TO TRADE MARK) (e.g. MXJ)
- ELV 及び RoHS 適合品  
ELV AND RoHS COMPLIANT

部品 PART	材質 MATERIAL	
	5025791***	
ターミナル TERMINAL	コンタクト部 CONTACT POS.	銅合金 COPPER ALLOY 金めっき: 0.2 μm MIN. GOLD リフロー処理(前めっき) REFLOW TREATMENT (PRE-PLATED)
	バレル部 BARREL POS.	錫めっき: 1.0 μm MIN. TIN リフロー処理(前めっき) REFLOW TREATMENT (PRE-PLATED)
	ニッケルめっき(下地): 1.0 micro-meter MIN. NICKEL (UNDER PLATING) リフロー処理(前めっき) REFLOW TREATMENT (PRE-PLATED)	

RELEASED EC NO: J2015-0528 DRWN: TAKAIKE 2014/10/21 CHKD: KASAKAWA 2015/02/16 APPR: NUKITA 2015/02/16	DESCRIPTION	GENERAL TOLERANCES (UNLESS SPECIFIED)		
		0.25 UNDER	UNDER	±0.03
		0.25 OVER	0.5 UNDER	±0.05
		0.5 OVER	1.0 UNDER	±0.1
		1.0 OVER	10 UNDER	±0.2
10 OVER	30 UNDER	±0.25		
30 OVER		±0.3		
ANGULAR			±3 °	
DRAFT WHERE APPLICABLE MUST REMAIN WITHIN DIMENSIONS				
A	REV			

DIMENSION STYLE MM ONLY		SCALE 10:1	DESIGN UNITS METRIC	THIRD ANGLE PROJECTION
DRAWN BY TAKAIKE	DATE 2014/10/21	TITLE 1.5 W/B CONN. SINGLE PLUG TERMINAL		
CHECKED BY KASAKAWA	DATE 2015/02/16	MATERIAL NO. SD-502579-002		
APPROVED BY NUKITA	DATE 2015/02/16	SHEET NO. 1 OF 1		
THIS DRAWING CONTAINS INFORMATION THAT IS PROPRIETARY TO MOLEX INCORPORATED AND SHOULD NOT BE USED WITHOUT WRITTEN PERMISSION				



NOTES

- 適合ハウジング: 502578\*\*\*\*, 503149\*\*\*\*  
APPLICABLE HOUSING: 502578\*\*\*\*, 503149\*\*\*\*
- 図示の斜線部の範囲は、接点部のため、傷、打痕、汚れなどを付けないようにして下さい。  
PLEASE DON'T DAMAGE, DON'T DENT, AND DON'T MAKE IT DIRTY. BECAUSE THE RANGE IN THE SHADED PORTION SHOWN IN FIGURE IS THE CONTACT AREA.
- トレードマーク: MX プラス1文字の製造工場を示すアルファベットにて表示。但し「J」は JAPAN を示す。(例 MXJ)  
FORMED BY MX AND 1 MORE LETTER OF ALPHABET WHICH MEAN THE MANUFACTORY. BUT "J" MEANS JAPAN. (TO TRADE MARK) (e.g. MXJ)
- ELV 及び RoHS 適合品  
ELV AND RoHS COMPLIANT

部品 PART	材質 MATERIAL
	5025791***
ターミナル TERMINAL	銅合金 COPPER ALLOY
CONTACT POS.	金めっき: 0.2 μm MIN. GOLD リフロー処理 (前めっき) REFLOW TREATMENT (PRE-PLATED)
BARREL POS.	錫めっき: 1.0 μm MIN. TIN リフロー処理 (前めっき) REFLOW TREATMENT (PRE-PLATED)
	ニッケルめっき (下地): 1.0 micro-meter MIN. NICKEL (UNDER PLATING) リフロー処理 (前めっき) REFLOW TREATMENT (PRE-PLATED)

RELEASED EC NO: J2015-0528 DRWN: TAKAIKE 2014/10/21 CHKD: KASAKAWA 2015/02/16 APPR: NUKITA 2015/02/16	GENERAL TOLERANCES (UNLESS SPECIFIED)	
	0.25 UNDER	±0.03
	0.25 OVER	±0.05
	0.5 OVER	±0.1
	1.0 OVER	±0.2
	30 OVER	±0.25
	ANGULAR	±3 °
	DRAFT WHERE APPLICABLE MUST REMAIN WITHIN DIMENSIONS	

DIMENSION STYLE	
MM ONLY	
DRAWN BY	DATE
TAKAIKE	2014/10/21
CHECKED BY	DATE
KASAKAWA	2015/02/16
APPROVED BY	DATE
NUKITA	2015/02/16
MATERIAL NO.	
SEE TABLE	
SIZE	A3

φ0.78-1.28mm	AWG#24-28	5025791100	バラ状 LOOSE
		5025791000	連鎖状 CHAIN
絶縁被覆外径範囲 INS. RANGE	適用電線範囲 WIRE RANGE	製品番号 MATERIAL NO.	端子形状 FORM
SCALE	DESIGN UNITS	THIRD ANGLE PROJECTION	
10:1	METRIC		
TITLE			
1.5 W/B CONN. SINGLE PLUG TERMINAL			
DOCUMENT NO.			SHEET NO.
SD-502579-002			1 OF 1
THIS DRAWING CONTAINS INFORMATION THAT IS PROPRIETARY TO MOLEX INCORPORATED AND SHOULD NOT BE USED WITHOUT WRITTEN PERMISSION			