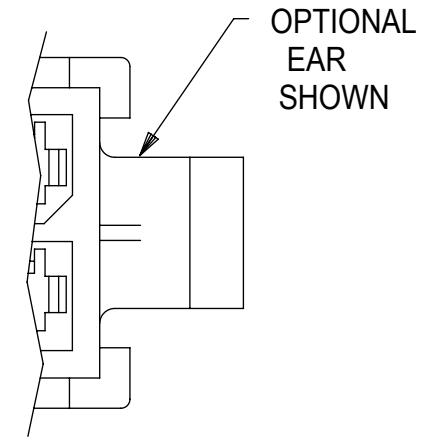
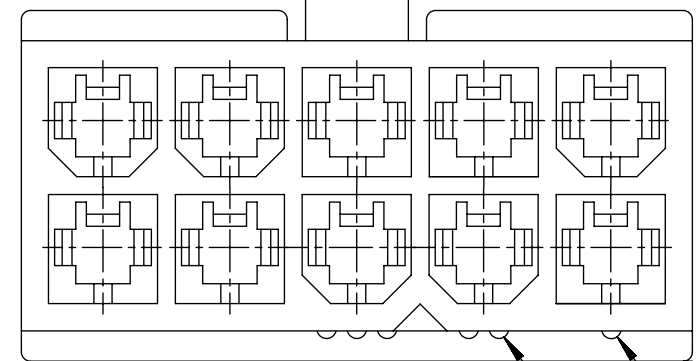
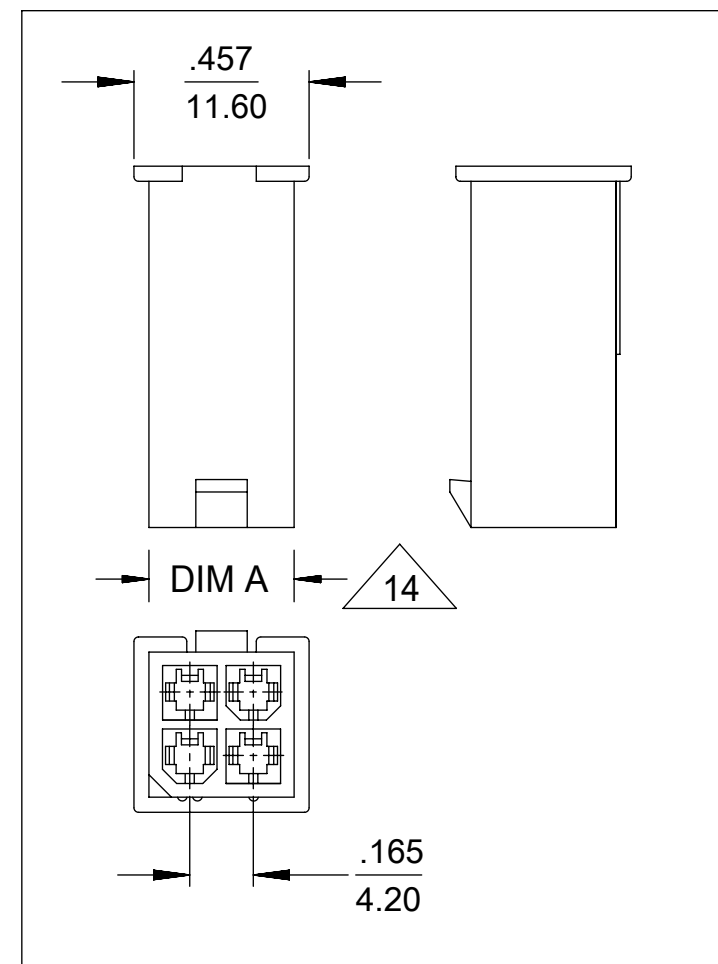
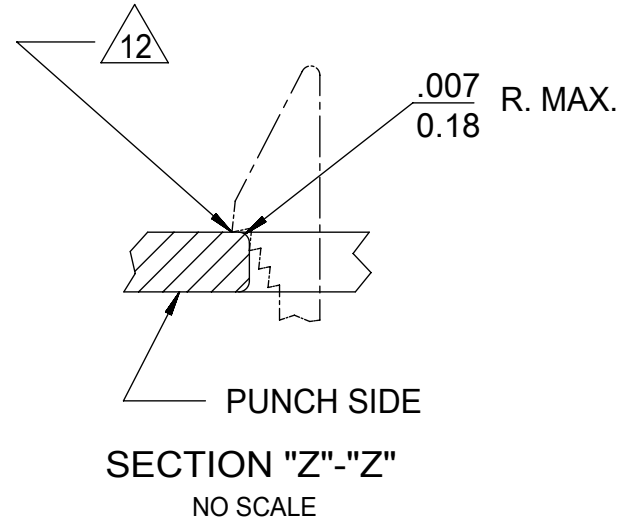


WITHOUT MOUNTING EARS
6-24 CIRCUIT
46993-**11

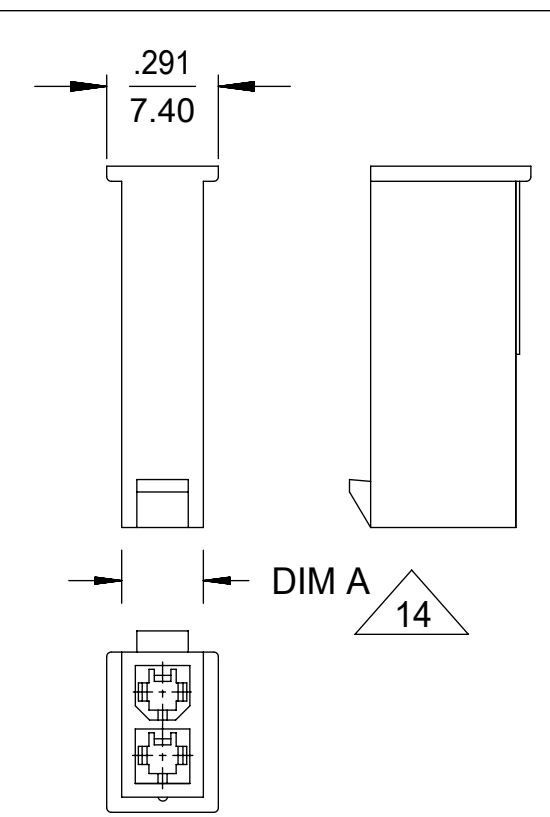
WITH MOUNTING EARS
2-24 CIRCUIT
46993-**10



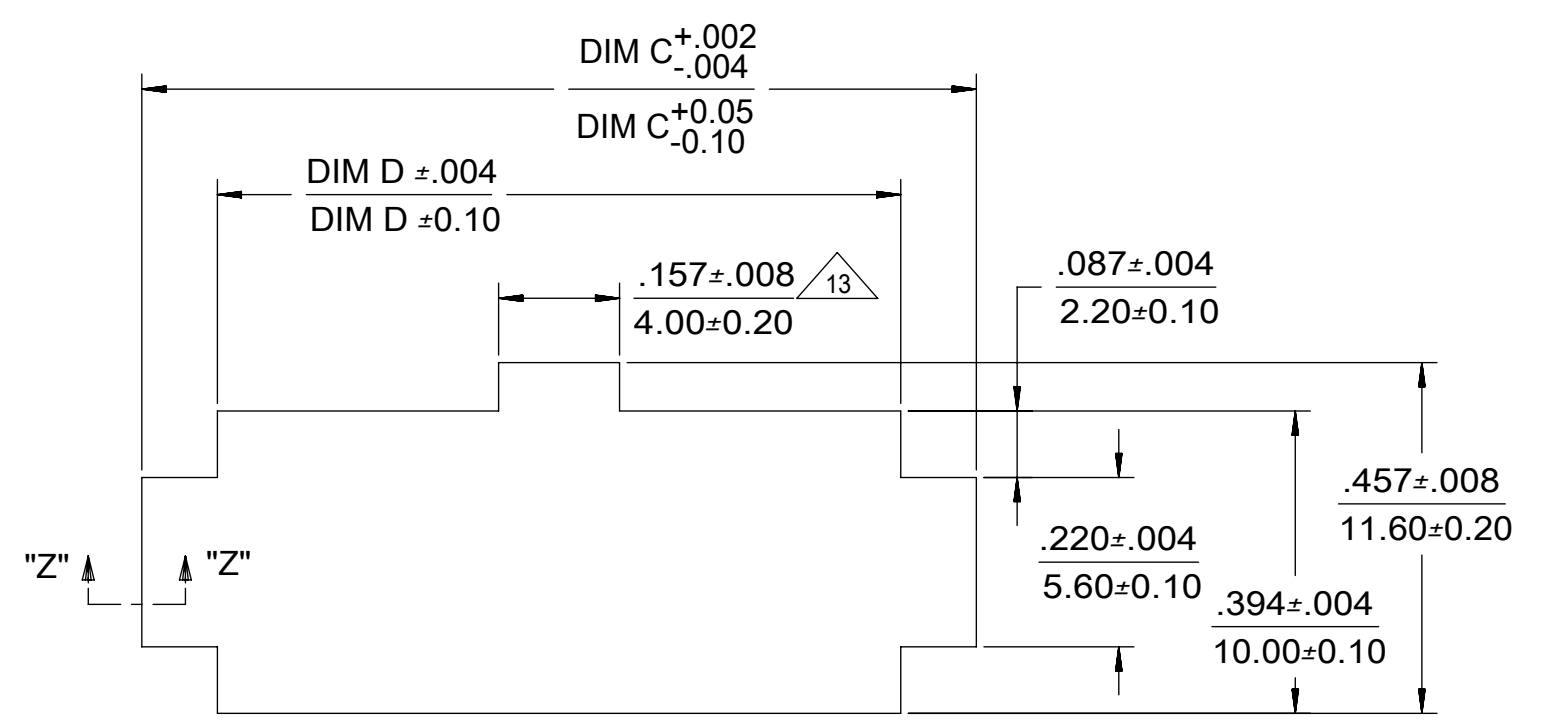
RIB INDICATES CIRCUIT #1
RIBS INDICATE CIRCUIT #2



WITHOUT MOUNTING EARS
4 CIRCUIT
46993-0411
SCALE: 2X



WITHOUT MOUNTING EARS
2 CIRCUIT
46993-0211
SCALE: 2X



RECOMMENDED PANEL CUTOUT
THICKNESS: .032-.079 (0.80-2.00)

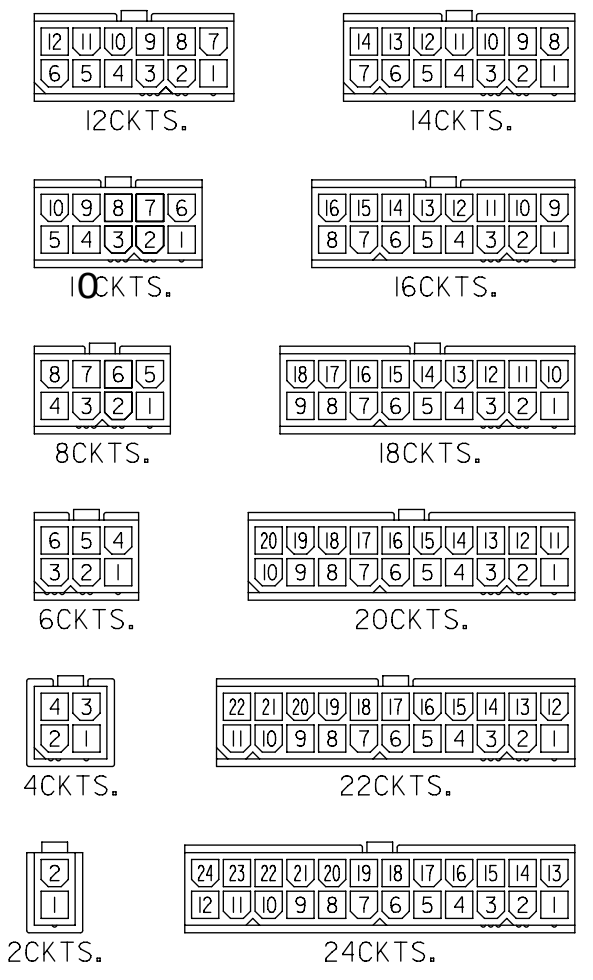
QUALITY SYMBOLS	THIS DRAWING CONTAINS INFORMATION THAT IS PROPRIETARY TO MOLEX ELECTRONIC TECHNOLOGIES, LLC AND SHOULD NOT BE USED WITHOUT WRITTEN PERMISSION			
	GENERAL TOLERANCES (UNLESS SPECIFIED)		DIMENSION UNITS	SCALE
▽ = 0	MM INCH		IN/MM	4:1
▽ = 0	4 PLACES ±	±	DRWN BY	DATE
▽ = 0	3 PLACES ±	± 0.01	NNGUYEN	2013/04/11
▽ = 0	2 PLACES ±	± 0.25 ± 0.015	CHK'D BY	DATE
▽ = 0	1 PLACES ±	± 0.38 ±	JBELL	2016/04/11
▽ = 0	0 PLACES ±	±	APPR BY	DATE
▽ = 0	ANGULAR TOL = 0.5		FSMITH	2014/05/16
▽ = 0	DRAFT WHERE APPLICABLE MUST REMAIN WITHIN DIMENSIONS		DRAWING SIZE	THIRD ANGLE PROJECTION
▽ = 0	A7		C	

molex		
MINI-FIT JR PLUG 2-24 CIRCUIT DUAL ROW W/ & W/O EARS GLOW WIRE		
PRODUCT CUSTOMER DRAWING		
SERIES	MATERIAL NUMBER	CUSTOMER
46993	SEE SHEET 2	GENERAL MARKET
DOCUMENT NUMBER	DOC TYPE	DOC PART SHEET NUMBER
SD-46993-0000	PSD	000 1 OF 2

PART NUMBER	CKT SIZE	MOUNTING OPTION	DIM "A"	DIM "B"	DIM "C"	DIM "D"	PACKAGING SPECIFICATION	COLOR
46993-0211	02	WITHOUT EARS	.21 / 5.4	--	NOT APPLICABLE	NOT APPLICABLE	PK-5559-002	BLACK
46993-0411	04	WITHOUT EARS	.38 / 9.6	.165 / 4.20	NOT APPLICABLE	NOT APPLICABLE		
46993-0611	06	WITHOUT EARS	.54 / 13.8	.331 / 8.40	NOT APPLICABLE	NOT APPLICABLE		
46993-0811	08	WITHOUT EARS	.71 / 18.0	.496 / 12.60	NOT APPLICABLE	NOT APPLICABLE		
46993-1011	10	WITHOUT EARS	.87 / 22.2	.661 / 16.80	NOT APPLICABLE	NOT APPLICABLE		
46993-1211	12	WITHOUT EARS	1.04 / 26.4	.827 / 21.00	NOT APPLICABLE	NOT APPLICABLE		
46993-1411	14	WITHOUT EARS	1.21 / 30.6	.992 / 25.20	NOT APPLICABLE	NOT APPLICABLE		
46993-1611	16	WITHOUT EARS	1.37 / 34.8	1.158 / 29.40	NOT APPLICABLE	NOT APPLICABLE		
46993-1811	18	WITHOUT EARS	1.54 / 39.0	1.323 / 33.60	NOT APPLICABLE	NOT APPLICABLE	PK-5559-002	BLACK
46993-0210	02	WITH EARS	.21 / 5.4	--	.425 / 10.80	.228 / 5.80	PK-5559-001	BLACK
46993-0410	04	WITH EARS	.38 / 9.6	.165 / 4.20	.591 / 15.00	.394 / 10.00		
46993-0610	06	WITH EARS	.54 / 13.8	.331 / 8.40	.756 / 19.20	.559 / 14.20		
46993-0810	08	WITH EARS	.71 / 18.0	.496 / 12.60	.921 / 23.40	.724 / 18.40		
46993-1010	10	WITH EARS	.87 / 22.2	.661 / 16.80	1.087 / 27.60	.890 / 22.60		
46993-1210	12	WITH EARS	1.04 / 26.4	.827 / 21.00	1.252 / 31.80	1.055 / 26.80		
46993-1410	14	WITH EARS	1.21 / 30.6	.992 / 25.20	1.417 / 36.00	1.224 / 31.10		
46993-1610	16	WITH EARS	1.37 / 34.8	1.158 / 29.40	1.583 / 40.20	1.390 / 35.30		
46993-1810	18	WITH EARS	1.54 / 39.0	1.323 / 33.60	1.748 / 44.40	1.555 / 39.50	PK-5559-001	BLACK
46993-0201	02	WITHOUT EARS	.21 / 5.4	--	NOT APPLICABLE	NOT APPLICABLE	PK-5559-002	BEIGE
46993-0401	04	WITHOUT EARS	.38 / 9.6	.165 / 4.20	NOT APPLICABLE	NOT APPLICABLE		
46993-0601	06	WITHOUT EARS	.54 / 13.8	.331 / 8.40	NOT APPLICABLE	NOT APPLICABLE		
46993-0801	08	WITHOUT EARS	.71 / 18.0	.496 / 12.60	NOT APPLICABLE	NOT APPLICABLE		
46993-1001	10	WITHOUT EARS	.87 / 22.2	.661 / 16.80	NOT APPLICABLE	NOT APPLICABLE		
46993-1201	12	WITHOUT EARS	1.04 / 26.4	.827 / 21.00	NOT APPLICABLE	NOT APPLICABLE		
46993-1401	14	WITHOUT EARS	1.21 / 30.6	.992 / 25.20	NOT APPLICABLE	NOT APPLICABLE		
46993-1601	16	WITHOUT EARS	1.37 / 34.8	1.158 / 29.40	NOT APPLICABLE	NOT APPLICABLE		
46993-1801	18	WITHOUT EARS	1.54 / 39.0	1.323 / 33.60	NOT APPLICABLE	NOT APPLICABLE	PK-5559-002	BEIGE
46993-0200	02	WITH EARS	.21 / 5.4	--	.425 / 10.80	.228 / 5.80	PK-5559-001	BEIGE
46993-0400	04	WITH EARS	.38 / 9.6	.165 / 4.20	.591 / 15.00	.394 / 10.00		
46993-0600	06	WITH EARS	.54 / 13.8	.331 / 8.40	.756 / 19.20	.559 / 14.20		
46993-0800	08	WITH EARS	.71 / 18.0	.496 / 12.60	.921 / 23.40	.724 / 18.40		
46993-1000	10	WITH EARS	.87 / 22.2	.661 / 16.80	1.087 / 27.60	.890 / 22.60		
46993-1200	12	WITH EARS	1.04 / 26.4	.827 / 21.00	1.252 / 31.80	1.055 / 26.80		
46993-1400	14	WITH EARS	1.21 / 30.6	.992 / 25.20	1.417 / 36.00	1.224 / 31.10		
46993-1600	16	WITH EARS	1.37 / 34.8	1.158 / 29.40	1.583 / 40.20	1.390 / 35.30		
46993-1800	18	WITH EARS	1.54 / 39.0	1.323 / 33.60	1.748 / 44.40	1.555 / 39.50	PK-5559-001	BEIGE

LEGEND

46993-****
 CIRCUIT SIZE
 MATERIAL OPTION
 "0" = UL94V-2, BEIGE
 "1" = UL94V-2, BLACK
 MOUNTING OPTION
 (SEE NOTE #7)



REFERENCE FOR CIRCUIT NUMBER ORIENTATION (OPTIONAL EARS NOT SHOWN)

NOTES:

- MATERIAL:
 0 = NYLON, UL94V-2, COLOR: NATURAL (BEIGE); IEC 60335-1, 5th EDITION, GLOW WIRE CAPABLE.
 1 = NYLON, UL94V-2, COLOR: BLACK; IEC 60335-1, 5th EDITION, GLOW WIRE CAPABLE.
- FINISH: NOT APPLICABLE
- PRODUCT SPECIFICATION: PS-5556-001
- PACKAGING: SEE CHART
- PART MATES WITH MOLEX RECEPTACLE #46992.
- PART TO BE USED WITH MOLEX MALE TERMINAL #5558.
- MOUNTING OPTIONS:
 "0" = WITH EARS, DUAL ROW
 "1" = WITHOUT EARS, DUAL ROW
- PART IS NOT DESIGNED FOR CURRENT SHARING.
- CONNECTORS ARE NOT TO BE MATED OR UNMATED WHILE CIRCUITS ARE LIVE.
- WIRES ARE TO BE DRESSED IN SUCH A MANNER TO ALLOW THE TERMINALS TO FLOAT FREELY IN THE POCKET.
- PART CONFORMS TO CLASS "B" REQUIREMENTS OF COSMETIC SPECIFICATION PS-45499-002 WITH THE EXCEPTION OF DISCOLORATION, FLASH AND SINK MEET CLASS "C" REQUIREMENTS.
- PANEL HOLE TO PUNCHED OUT IN THE SAME DIRECTION AS INSERTION INTO THE PANEL.
- ON 2 CIRCUIT PARTS THIS DIMENSION IS ALLOWABLE UP TO DIMENSION "D".
- TO BE MEASURED AT SURFACE **A**

QUALITY SYMBOLS	THIS DRAWING CONTAINS INFORMATION THAT IS PROPRIETARY TO MOLEX ELECTRONIC TECHNOLOGIES, LLC AND SHOULD NOT BE USED WITHOUT WRITTEN PERMISSION			
	EC NO: 104482 DRWN: BAPPELDORN CHKD: FSMITH REV / APPR: FSMITH	2016/04/22 2016/05/12 2016/05/12	GENERAL TOLERANCES (UNLESS SPECIFIED) DIMENSION UNITS: IN/MM SCALE: 4:1 DRWN BY: NNGUYEN DATE: 2013/04/11 CHK'D BY: JBELL DATE: 2013/04/11 APPR BY: FSMITH DATE: 2014/05/16 DRAWING SIZE: C THIRD ANGLE PROJECTION	
	4 PLACES ± 3 PLACES ± ± 0.01 2 PLACES ± 0.25 ± 0.015 1 PLACES ± 0.38 ± 0 PLACES ± ± ANGULAR TOL = 0.5 DRAFT WHERE APPLICABLE MUST REMAIN WITHIN DIMENSIONS		MINI-FIT JR PLUG 2-24 CIRCUIT DUAL ROW W/ & W/O EARS GLOW WIRE PRODUCT CUSTOMER DRAWING	
			SERIES: 46993 MATERIAL NUMBER: SEE SHEET 2 CUSTOMER: GENERAL MARKET	
			DOCUMENT NUMBER: SD-46993-0000 DOC TYPE: PSD DOC PART: 000 SHEET NUMBER: 2 OF 2	