

6

5

4

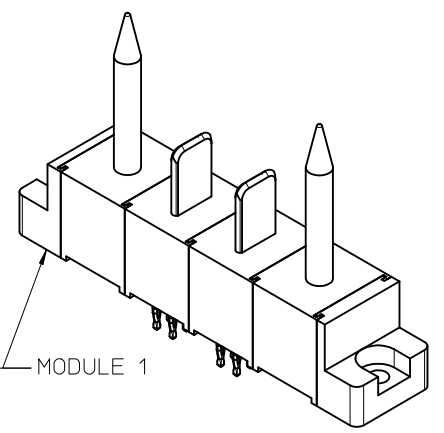
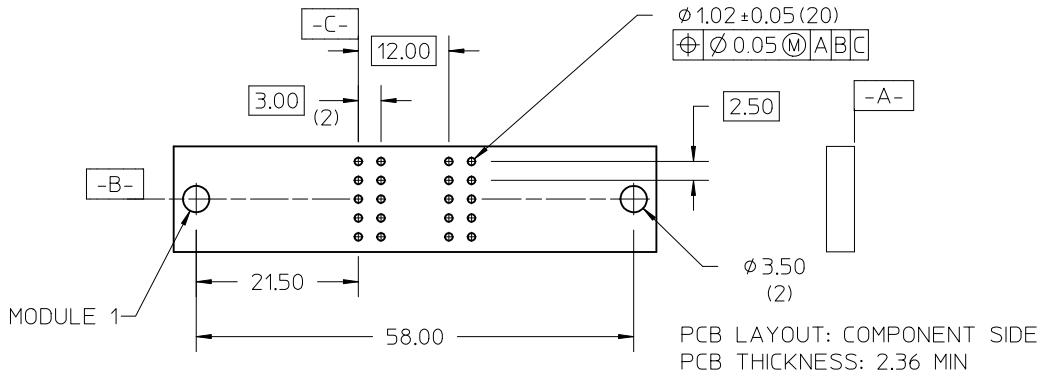
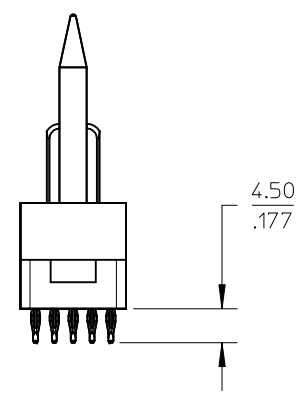
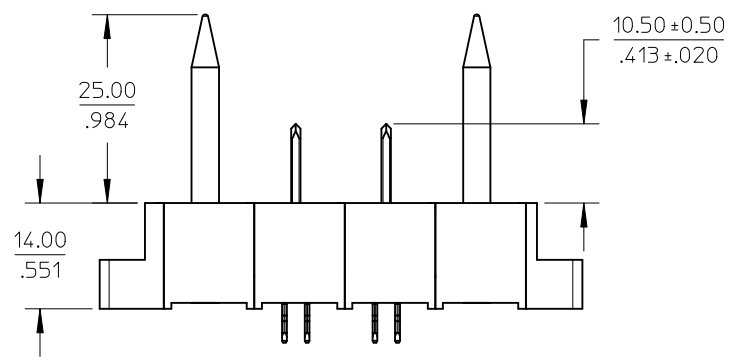
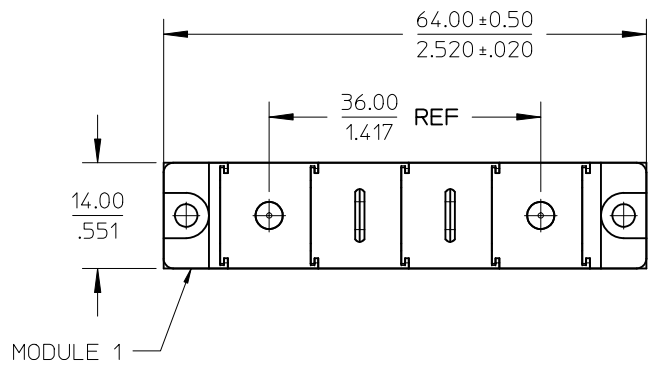
3

2

1

NOTES:

- 1. MATERIAL: LCP, GLASS FILLED, UL94V-0, BLACK
CONTACTS: COPPER ALLOY
- 2. FINISH: SELECT GOLD 30 MN MIN
SELECT TIN 100μ IN MIN
BOTH OVER NICKEL
- 3. PRODUCT SPECIFICATION: PS-45424-001
- 4. PACKAGING SPECIFICATION: PK-45482-001
- 5. THIS PART CONFORMS TO CLASS B REQUIREMENTS OF
COSMETIC SPEC PS-45499-002.



PD 500	PD 503	PD 217	PD 217	PD 503	PD 501
--------	--------	--------	--------	--------	--------

INITIAL RELEASE EC NO: UCP2012-3818 DRWN: JSCHAFFER CHKD: APPR: APATEL 2012/06/26 DESCRIPTION	QUALITY SYMBOLS	GENERAL TOLERANCES (UNLESS SPECIFIED)		DIMENSION STYLE MM ONLY		SCALE 1:1	DESIGN UNITS METRIC	THIRD ANGLE PROJECTION		
	$\nabla = 0$ $\nabla = 0$ $\nabla = 0$		mm	INCH	DRAWN BY JSCHAFFER	DATE 2012/06/18	TITLE POWER DOCK ASSEMBLY POWER VERTICAL CPI			
		4 PLACES	± ---	± ---	CHECKED BY	DATE				
		3 PLACES	± ---	± ---	APPROVED BY APATEL		DATE 2012/06/26		DOCUMENT NO. SD-45482-0149	
		2 PLACES	± 0.13	± ---						
1 PLACE		± 0.25	± ---							
0 PLACE	± ---	± ---	MATERIAL NO. 45482-0149		SHEET NO. 1 OF 1					
DRAFT WHERE APPLICABLE MUST REMAIN WITHIN DIMENSIONS		ANGULAR ± 1/2°		THIS DRAWING CONTAINS INFORMATION THAT IS PROPRIETARY TO MOLEX INCORPORATED AND SHOULD NOT BE USED WITHOUT WRITTEN PERMISSION						

5

4

3

2

1