

SOURIAU

25 Grumbacher Road
York, Pa 17406
USA

Tel: 717-767-6705
Fax: 717-505-5945
www.souriau.com

01/23/12

Subject: Product Change Notification

Product Part Number:

RMDX60-_____ Series
RCDX60-_____ Series

Description of Change:

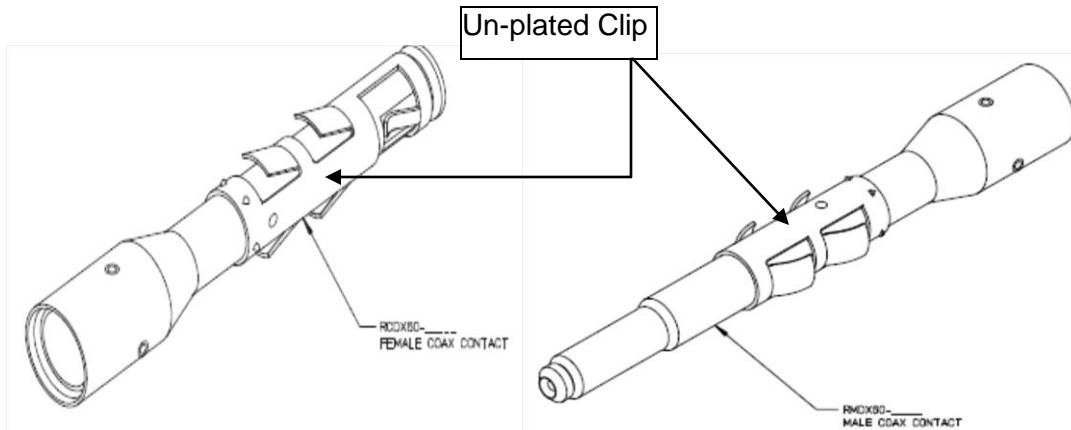
Plating will be eliminated from the retention clip of the contact.

Reason for Change:

The change eliminates a non-value add operation.

Anticipated Impact on Form, Fit, or Function:

There is no impact on the final fit and function of the part in usage. The form will be changing slightly and will be observed in the contact clip coloration. The change has no impact on the performance of the part. This component serves no electrical function and therefore will not impact electrical performance. The mechanical structure of the component is determined by base material and therefore it will maintain existing retention features.



Implementation Date:

Implementation will be phased in as existing inventories are exhausted in the distribution and inventory pipeline. All product will be shipping in new format on July 1st 2012.

Souriau Contact Information:

Tim Wickard 717-767-7982 email: twickard@souriau.com