

ER-DRCM2

D-Ring Cable Manager - 2 Space

Product Features:

Large slotted metal rings manage all types and sizes of wire and cable

Easy to install on equipment racks

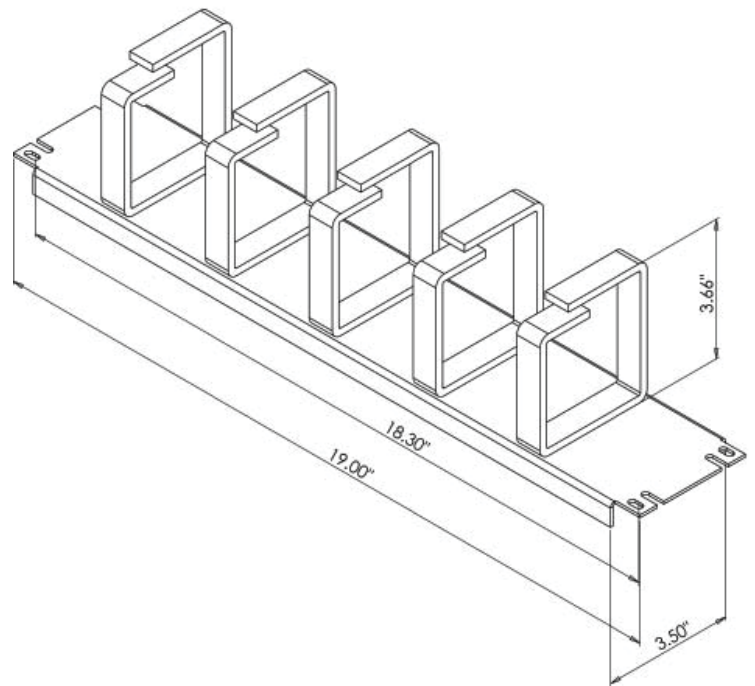
Includes 10 - 32 and 12 - 24 rack screws

Black static resistant powder coat finish

Product Specifications:

(for Architects & Engineers)

The cable manager for the equipment rack shall be the Video Mount Products (VMP) model ER-DRCM2. The cable manager shall be compatible with standard 19" equipment racks without modification. The cable manager shall include large slotted D-rings to organize the cables. The cable manager shall be painted with a durable static resistant black powder coat finish.



Video Mount Products

345 Log Canoe Circle

Stevensville, MD 21666

Toll Free: 877.281.2169

Telephone: 410.643.6390

Facsimile: 410.643.6615

www.videomount.com

