

PRODUCT CHANGE NOTIFICATION

PCN#: POWER CONNECTORS, GROUNDING AND STEEL **20181017-2**

ISSUE DATE: 20190212

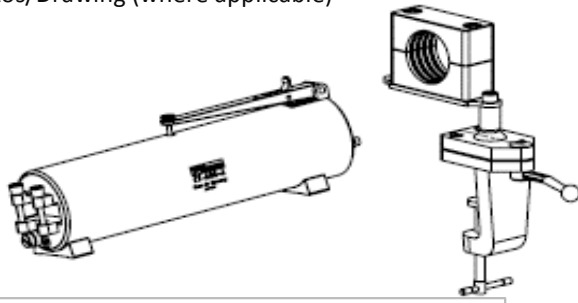
IMPACTED REGIONS: NA EMEA LATAM AP

REASON FOR CHANGE: DISCONTINUATION
 OTHER

DESCRIPTION OF CHANGE: (Not Required for discontinuation)

Summary - The decision to obsolete CT-600-A has taken place and the stock was coded to use up. There was stock available as of 10/1/18. The next generation of the tool, "UP14ZLW" has been introduced provided positive safety improvements.

Photos/Drawing (where applicable)



CT-600-A and PD-600-A Mounting Kit



UP14ZLW

IMPACTED PART NUMBERS AND REPLACEMENT PART NUMBERS: (where applicable)

The following FG part numbers will be obsoleted: CT-600-A, PD-600-A and FPC-600-A. The die sets, CD-500CH, CD-520CH, CD-550CH and CD-570CH will remain available for 2-3 years.

The following replacement items will be added: UP14ZLW. The UP14ZLW uses the currently available die sets, CD-525, CD-550, CD-570 and CD-090.

DATES: DISCONTINUATION AND NEW PRODUCT AVAILABILITY:

SCHEDULE FOR CHANGE	Year (YYYY)	Month (MM)	Day (DD)
New product sample availability date	2018	11	1
Old product discontinuation date*	2019	4	15

***Important:** After old product discontinuation date, the affected part numbers listed above will continue to be available for sale as long as supplies last. Product may be returned up to 60 days after the product discontinuation date.

IMPACTED PART NUMBER(s)	REPLACEMENT PART NUMBER(s)
CT-600-A	UP14ZLW
PD-600-A	
FPC-600-A	