

# C3216X7R1H225M160AB

TDK Item Description : C3216X7R1H225MT\*\*\*\*

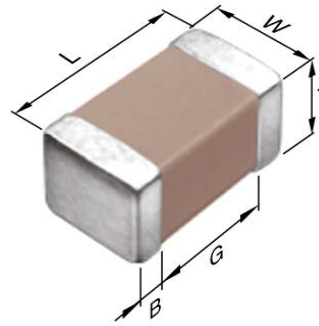


## Application & Main Feature

Commercial Grade ( General (Up to 50V) )

## Series

C3216 [EIA 1206]



## Dimensions

L	3.20mm +/-0.2mm
W	1.60mm +/-0.2mm
T	1.60mm +/-0.2mm
B	0.20mm Min.
G	1.00mm Min.

## Temperature Characteristic

X7R (-55 to 125 degC +/-15%)

## Rated Voltage

1H (50Vdc)

## Capacitance

2.2uF

## Capacitance Tolerance

M (+/-20%)

## Dissipation Factor

5% Max.

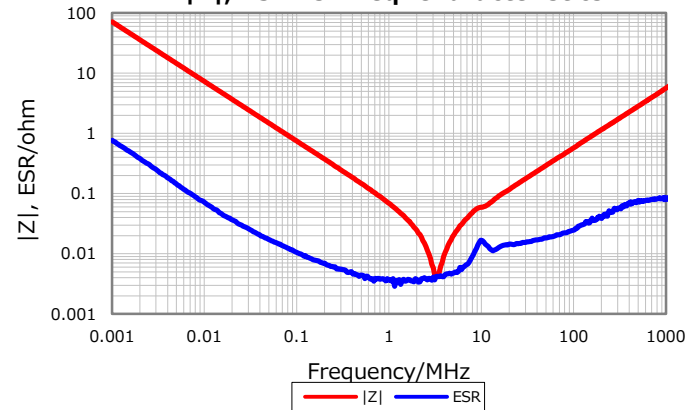
## Insulation Resistance

227Mohm Min.

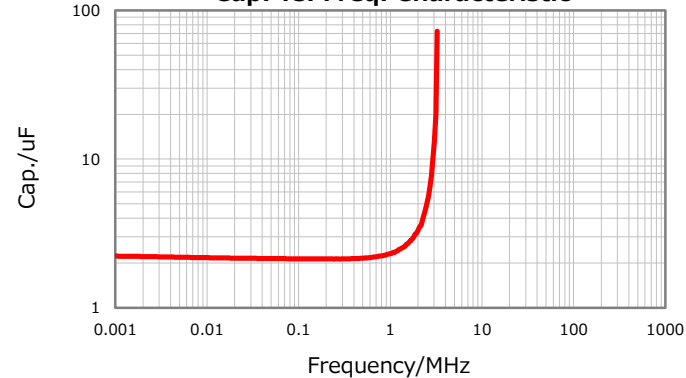
## AEC-Q200

Not Applicable

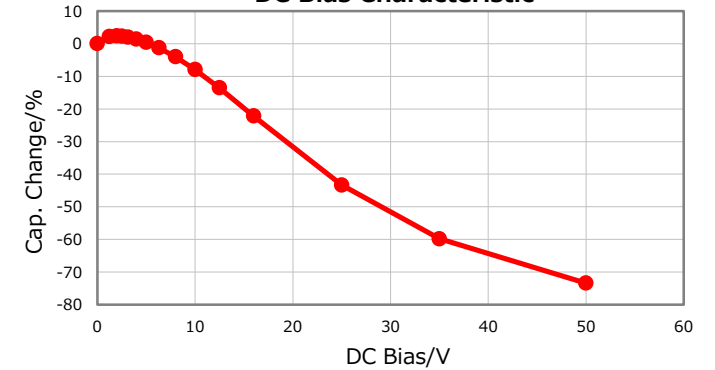
## |Z|, ESR vs. Freq. Characteristics



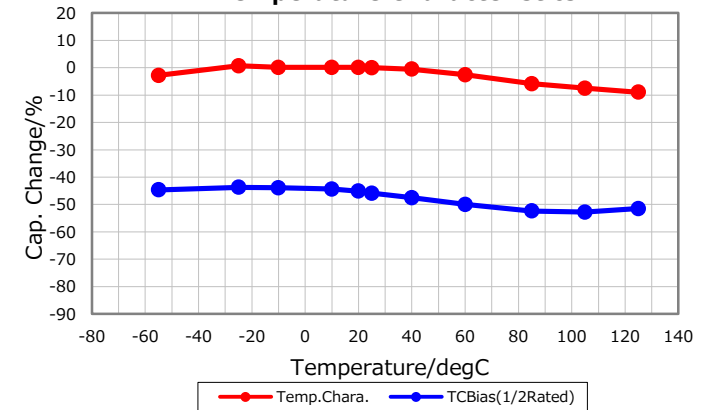
## Cap. vs. Freq. Characteristic



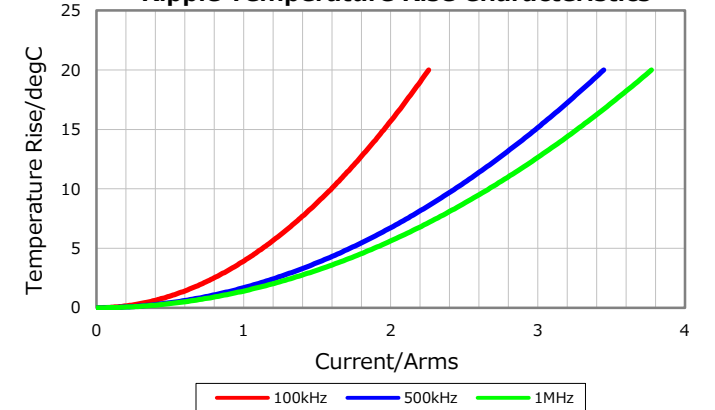
## DC Bias Characteristic



## Temperature Characteristics



## Ripple Temperature Rise Characteristics



Characterization Sheet ( Multilayer Ceramic Chip Capacitors )



All specifications are subject to change without notice.

June 29, 2017