

PART NO.	A99354-001	REV	ECO	DATE	APP
		A	104988	11-02-18	HV

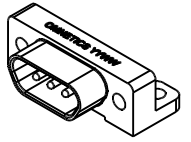
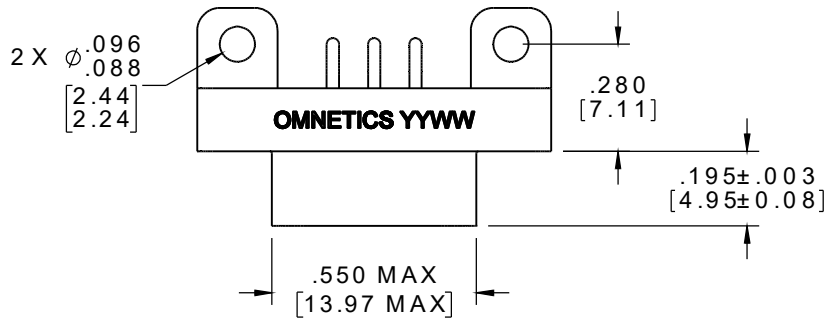
MATERIALS

HOUSING:
 ALUMINUM 6061, NICKEL PLATED
 (500 MICRINCHES MINIMUM) PER
 SAE-AMS-2404

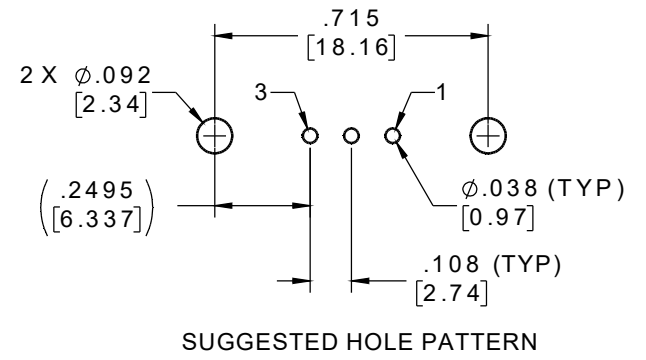
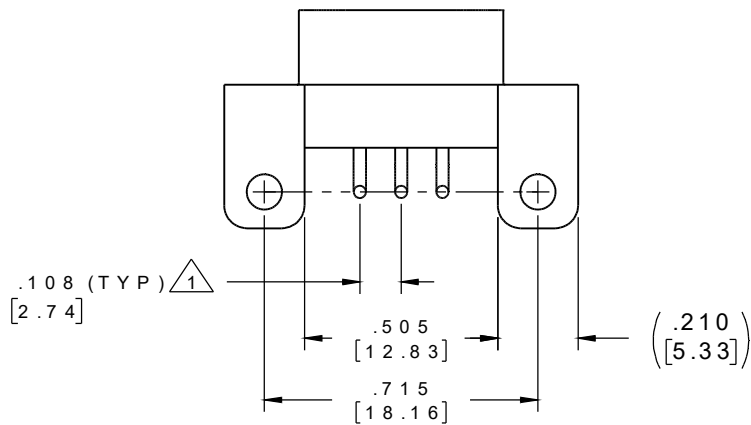
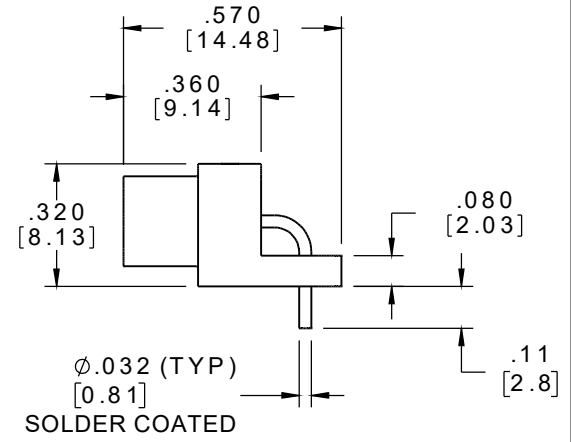
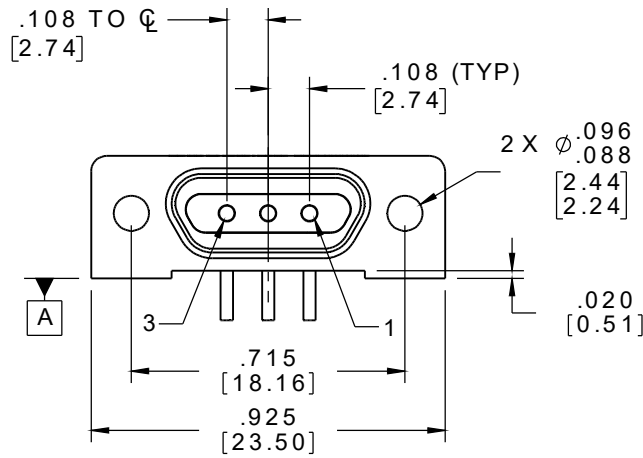
INSULATOR:
 PPS PER MIL-M-24519, TYPE
 GST 40F

CONTACT:
 COPPER ALLOY PER SAE-AS39029
 GOLD PLATED PER ASTM B488
 (HARD GOLD), TYPE II, CODE C
 CLASS 1.27 OVER NICKEL
 UNDERPLATE

TERMINATION:
 SOLDER COATED WITH SN63A PER
 J-STD-006



ACTUAL SIZE



SUGGESTED HOLE PATTERN

NOTES:
 1. TAIL DIMENSIONS APPLY AT PLANE A

2. DIMENSIONS IN [] ARE IN MILLIMETERS UNLESS OTHERWISE NOTED AND ARE FOR REFERENCE ONLY

MMSD S/DW	THIRD ANGLE
	-TOLERANCES-
	UNLESS OTHERWISE NOTED
	DIMENSIONS IN INCHES
2	PL DEC ± .01
3	PL DEC ± .005
4	PL DEC ± .0005
	ANGLES ± 1°

THIS DRAWING CONTAINS CONFIDENTIAL AND PROPRIETARY INFORMATION WHICH IS THE PROPERTY OF OMNETICS CONNECTOR CORP. THIS DOCUMENT MAY NOT, IN WHOLE OR IN PART, BE DUPLICATED, OR DISCLOSED FOR ANY PURPOSE, WITHOUT WRITTEN PERMISSION FROM OMNETICS CONNECTOR CORP.	
DFTM. STN	DATE 10-29-18
CHK'D.	DATE
APP'D.	DATE
TITLE: (3-0) CONTACT RECEPTACLE HYBRID POWER MICRO-D CONNECTOR	

OMNETICS
 CONNECTOR CORPORATION
 7260 COMMERCE CIRCLE EAST
 MINNEAPOLIS, MN 55432
 WWW.OMNETICS.COM

CAGE CODE 61873	
DWG NO. A99354-001	
SHEET 1 OF 1	REV A
SCALE: 2:1	