

THIS DRAWING IS UNPUBLISHED.

RELEASED FOR PUBLICATION

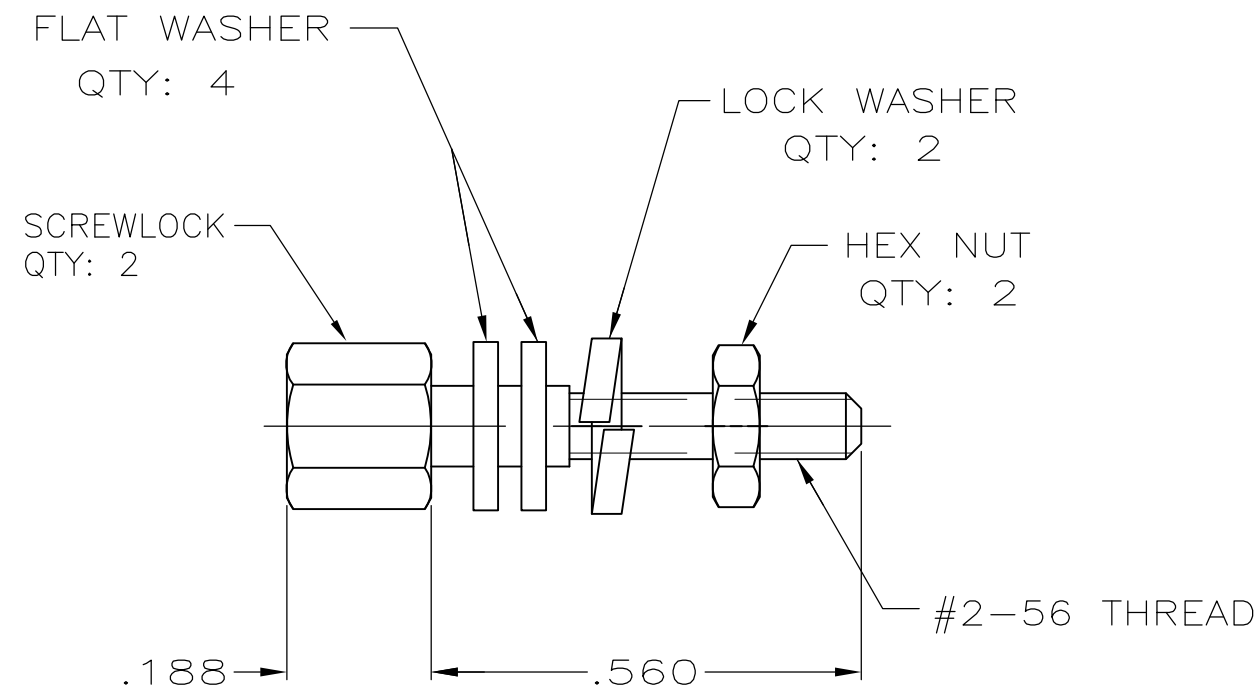
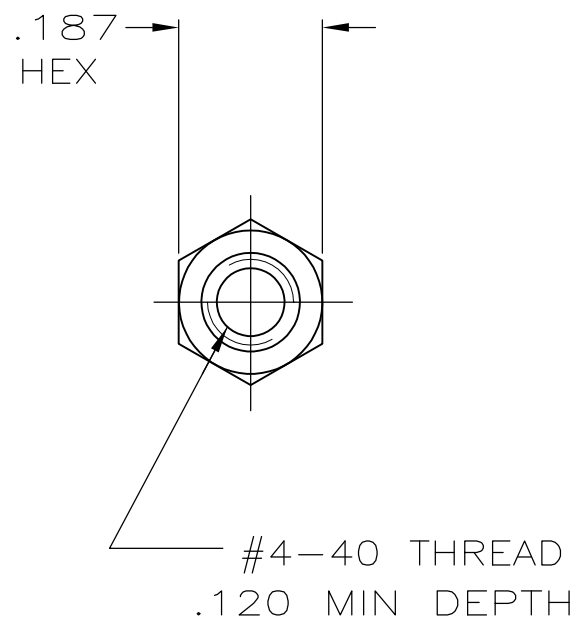
ALL RIGHTS RESERVED.

© COPYRIGHT - By -

LOC GP DIST 00

REVISIONS

P	LTR	DESCRIPTION	DATE	DWN	APVD
P		REVISED PER ECO-11-004835	11MAR11	RK	HMR



1 COLD ROLLED STEEL.


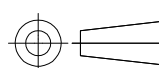
2 ZINC PLATED .000200-.000400 THICK, CLEAR CHROMATE COATING.

3. PARTS PACKAGED UNASSEMBLED.

4. PARTS PACKAGED AS A UNIT KIT.

5747223-3

PART NO

THIS DRAWING IS A CONTROLLED DOCUMENT.		DWN S.WAITMAN 11JUL05	 TE Connectivity						
DIMENSIONS: INCHES		CHK C.ROHDE 11JUL05				NAME KIT #4-40 SCREW LOCK FEMALE WITH 2-56 THREADS, AMPLIMITE HD-20			
		APVD M.WALMSLEY 11JUL05							
TOLERANCES UNLESS OTHERWISE SPECIFIED: 0 PLC ± - 1 PLC ± - 2 PLC ± - 3 PLC ± .005 4 PLC ± - ANGLES ± -		PRODUCT SPEC -				SIZE A3	CAGE CODE 00779	DRAWING NO C-5747223	RESTRICTED TO -
MATERIAL 1		FINISH 2	WEIGHT -		CUSTOMER DRAWING		SCALE 4:1	SHEET 1 OF 1	REV P