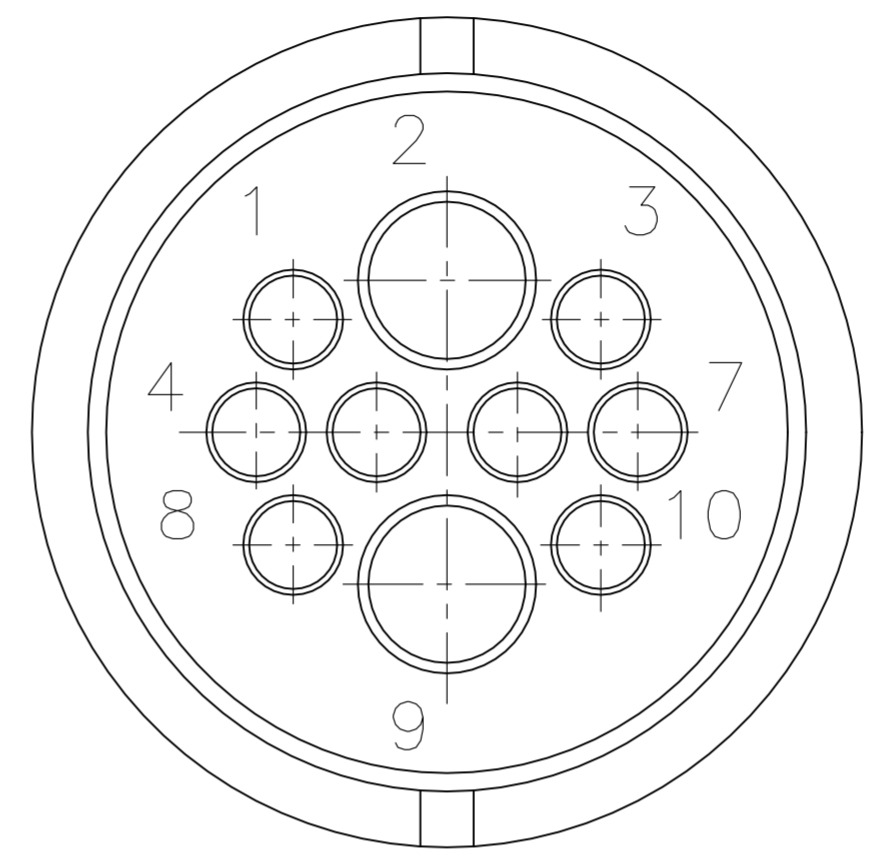
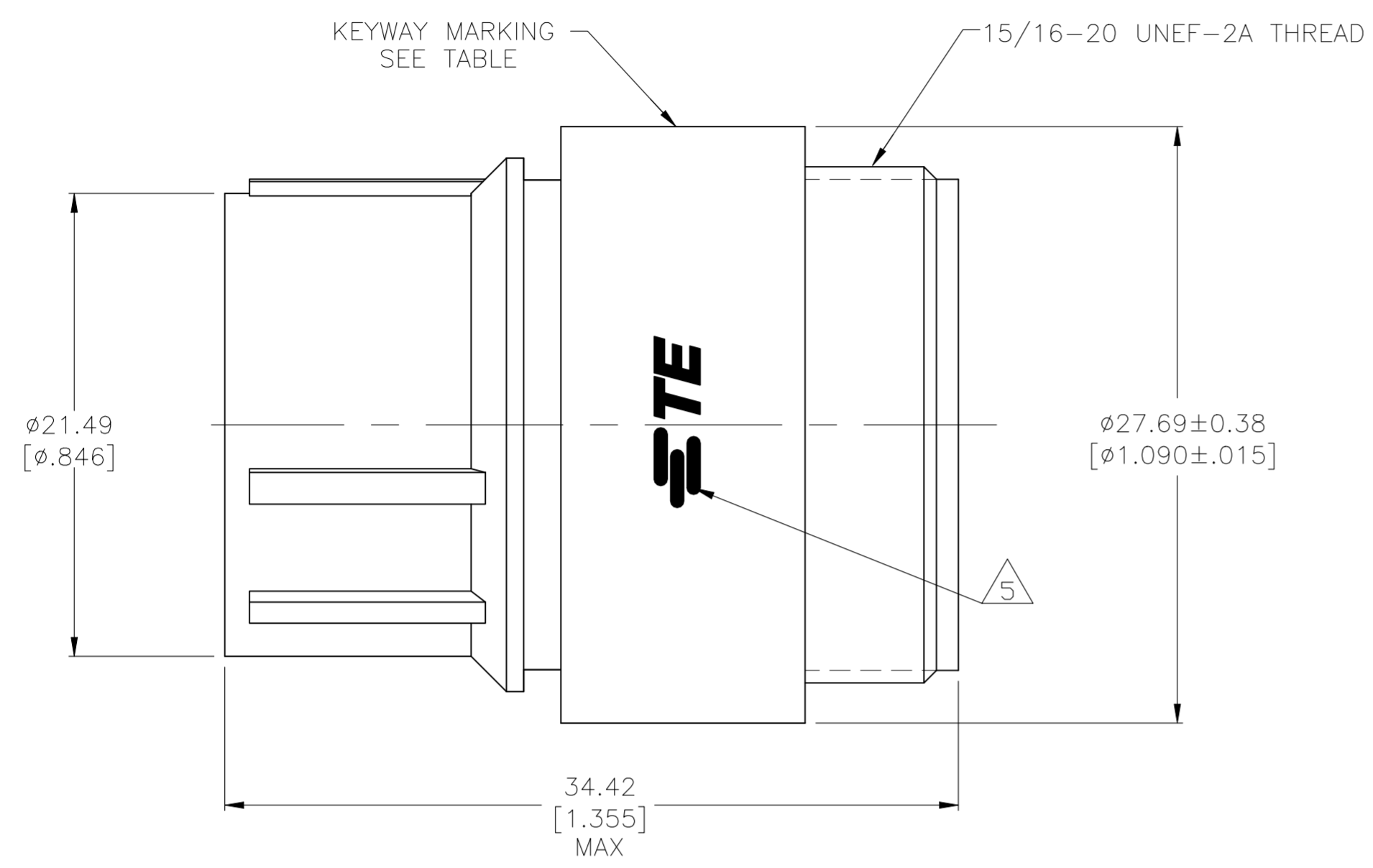


REVISIONS					
P	LTR	DESCRIPTION	DATE	DWN	APVD
C		ECO-21-005577	06MAY2021	RK	MZ



- 1 THIS PLUG WILL ACCEPT 2 TYPE I, SIZE 12 PIN CONTACTS AND 8 MULTIMATE PIN CONTACTS
- 2 MAXIMUM WIRE INSULATION ACCEPTED BY THIS PLUG IS $\phi 2.67[\phi .105]$ FOR MULTIMATE PIN CONTACTS
- 3 WHITE STRIPE INDICATES MAJOR KEYWAY
- 4 WHITE DOT INDICATES MAJOR KEYWAY
- 5 TE LOGO LOCATED ANYWHERE ON THIS SURFACE

OBSOLETE	4	213130-3
	3	213130-2
	-	213130-1
	KEYWAY MARKING	PART NO

THIS DRAWING IS A CONTROLLED DOCUMENT.		DWN S.WELDON 11/03/89	TE Connectivity Ltd.													
DIMENSIONS: mm [INCHES]		CHK R.STONE 11-8-89														
TOLERANCES UNLESS OTHERWISE SPECIFIED:		APVD M.KAPEZYNSKI 11-8-89	NAME PLUG, CPC, ARRANGEMENT 17-10M, REVERSE SEX, SERIES 4, CLASS A													
<table border="0"> <tr> <td>0 PLC</td> <td>± -</td> </tr> <tr> <td>1 PLC</td> <td>± -</td> </tr> <tr> <td>2 PLC</td> <td>± 0.13 [.005]</td> </tr> <tr> <td>3 PLC</td> <td>± -</td> </tr> <tr> <td>4 PLC</td> <td>± -</td> </tr> <tr> <td>4 ANGLES</td> <td>± -</td> </tr> </table>		0 PLC	± -	1 PLC	± -	2 PLC	± 0.13 [.005]	3 PLC	± -	4 PLC	± -	4 ANGLES	± -	PRODUCT SPEC -	SIZE A2	
0 PLC	± -															
1 PLC	± -															
2 PLC	± 0.13 [.005]															
3 PLC	± -															
4 PLC	± -															
4 ANGLES	± -															
MATERIAL UL 94V-0 RATED, NYLON BLACK		FINISH -	APPLICATION SPEC -	CAGE CODE 00779												
		WEIGHT	DRAWING NO C-213130	RESTRICTED TO -												
		CUSTOMER DRAWING		SCALE 4:1												
				SHEET 1 of 1												
				REV C												