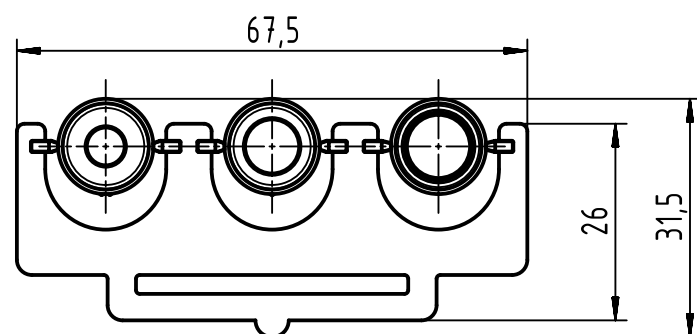


A

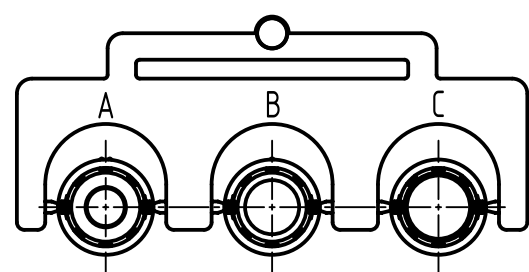
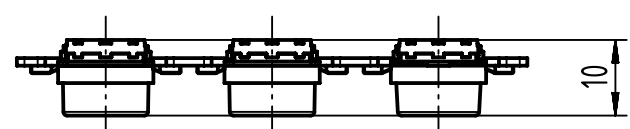
B

C

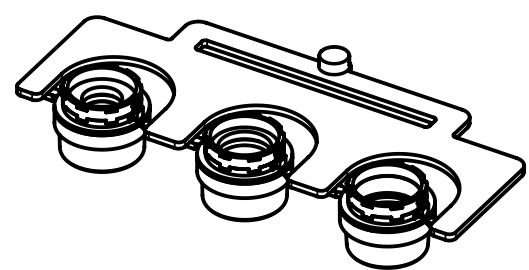
D




Sealing insert (A)- cable diameter 4.5-5.4 mm
 Sealing insert (B)- cable diameter 5.4-7.2 mm
 Sealing insert (C)- cable diameter 7.2-8.8 mm



10 pcs. in a poly-bag



	All Dimensions in mm Original Size DIN A4		Scale 1:1	Free size tol.		Ref.		
	All rights reserved Department EC PD - RO		Created by TAMAS	Inspected by AVRAM	Standardisation KOHLER	Sub.		
HARTING Electronics GmbH D-32339 Espelkamp		Title M12 Slim Design comb with seals 10 pcs.				Date 2016-05-23	State Final Release	
		Type TB	Number 21010102038			Doc-Key / ECM-Nr. 100221978/UGD/003/A 500000104796	Rev. A	Page 1/1