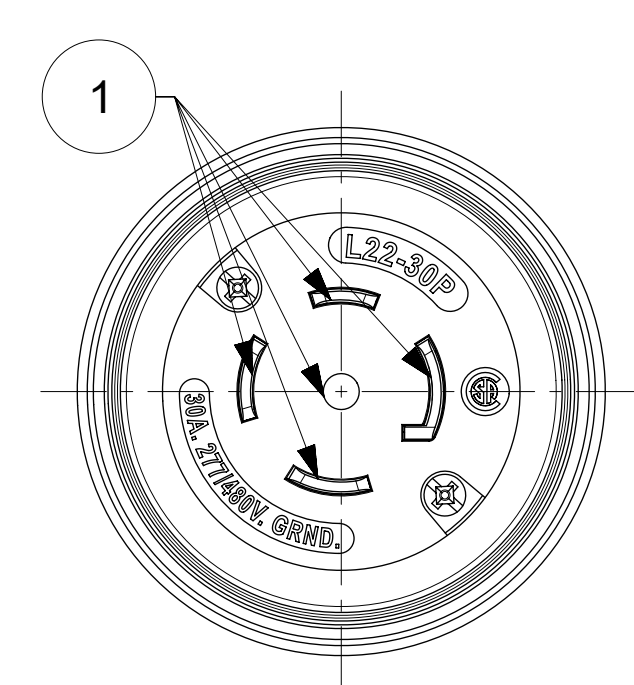
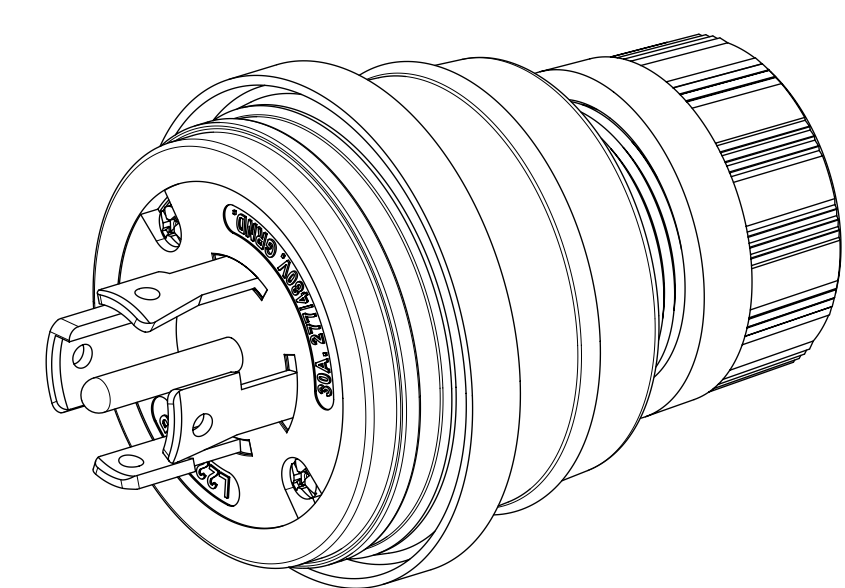
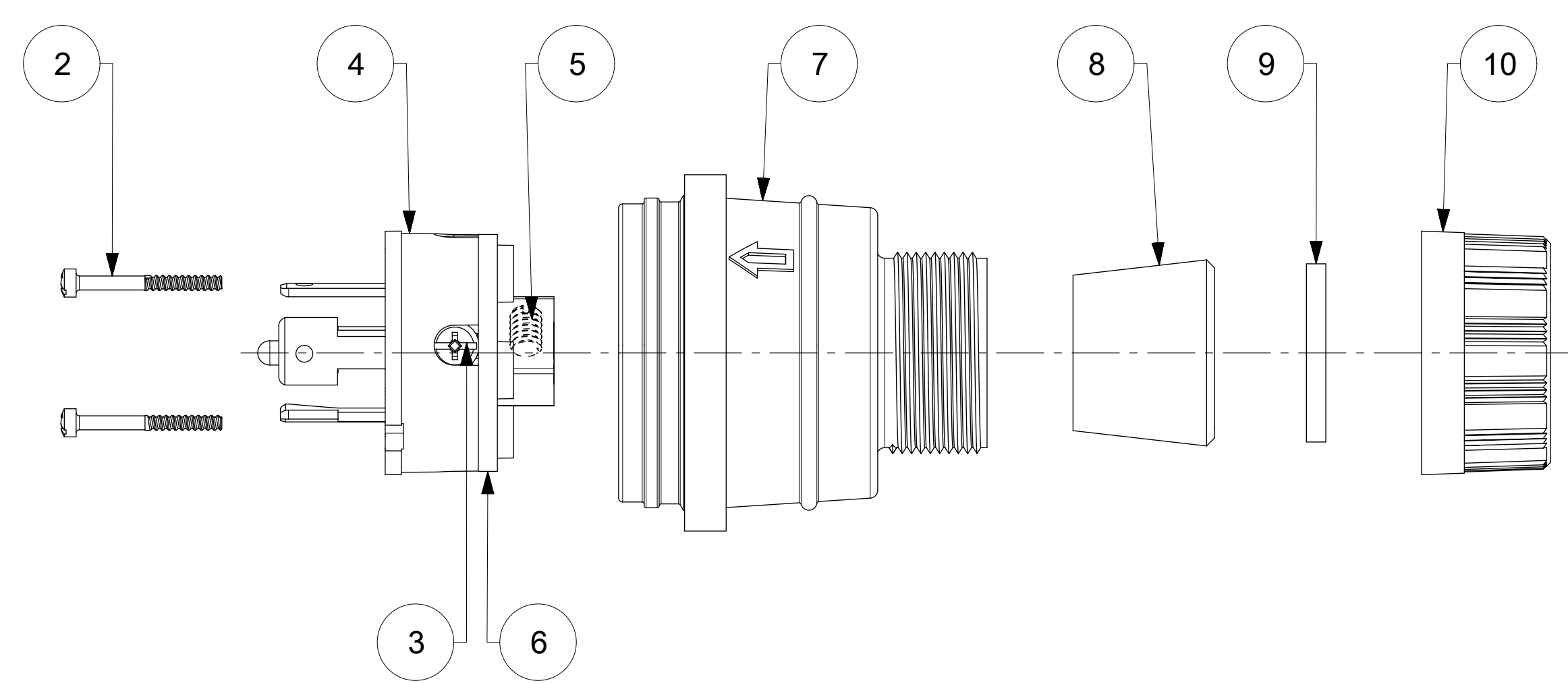
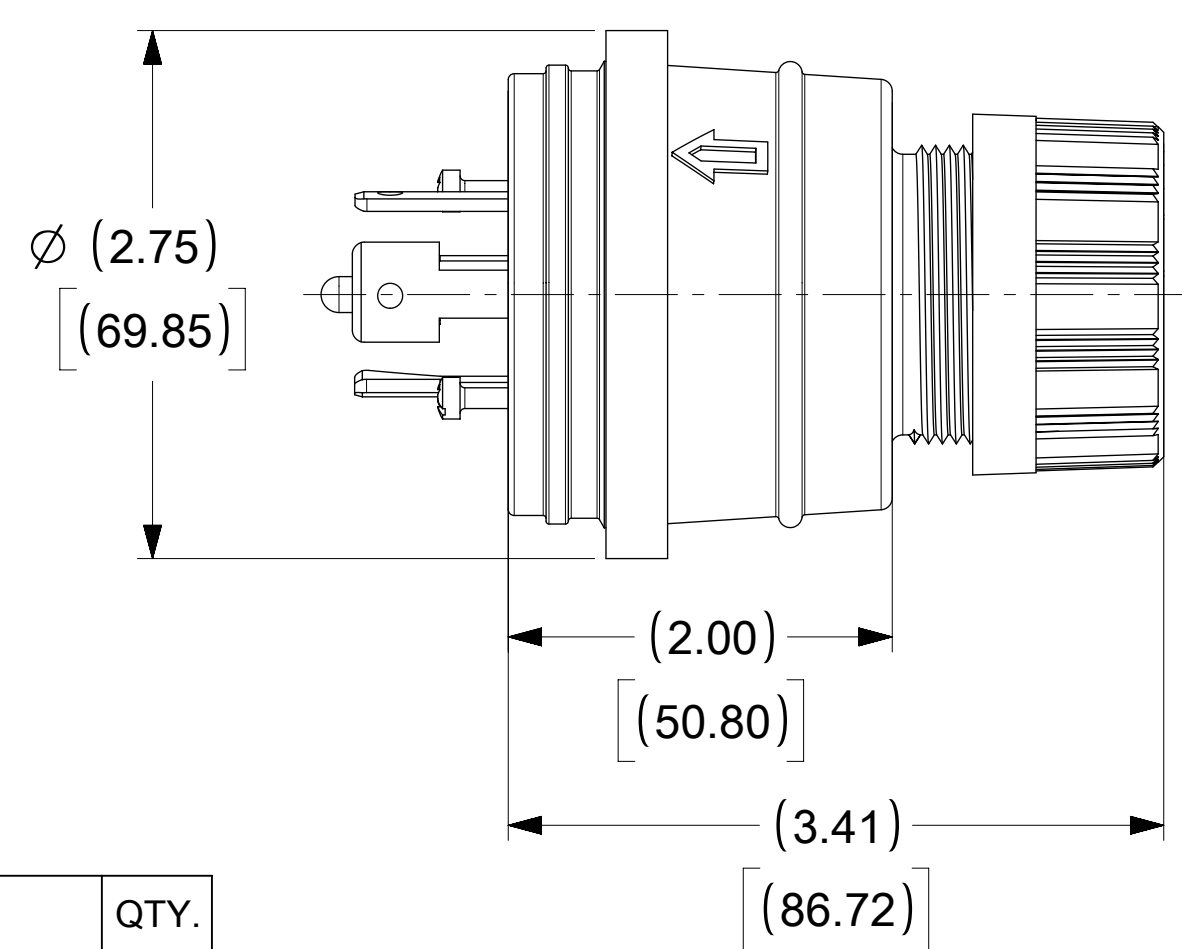


ORDER NO.	WOODHEAD NO.	COLOR
130147-0288	28W82-P	YELLOW



FACE VIEW



ITEM NO.	DESCRIPTIONS	MATERIAL	QTY.
1	BLADE	BRASS, NICKEL PLATED	5
2	RETAINING SCREWS	STAINLESS STEEL	2
3	CLAMP AND TERMINAL SCREW ASSY	BRASS, ZINC PLATED	4
4	INSERT	NYLON	1
5	SET SCREW	STAINLESSSTEEL	1
6	TERMINAL COVER	POLYCARBONATE	1
7	HOUSING	SILICON WITH NYLON THREAD	1
8	GROMMET	RUBBER	1
9	FRICTION RING	NYLON	1
10	COMPRESSION NUT	NYLON	1

SYMBOLS		THIS DRAWING CONTAINS INFORMATION THAT IS PROPRIETARY TO MOLEX ELECTRONIC TECHNOLOGIES, LLC AND SHOULD NOT BE USED WITHOUT WRITTEN PERMISSION		CURRENT REV DESC: RELEASED			
▽ = 0	INCH[MM]	SCALE	NTS	molex WATERTITE PLUG 4P5W L22-30 PRODUCT CUSTOMER DRAWING			
▽ = 0	GENERAL TOLERANCES (UNLESS SPECIFIED)		EC NO: 614381 DRWN: DSOPPIN 2018/12/26 CHK'D: DNGUYEN62 2019/04/16 APPR: HKNEELAND 2019/04/25				
▽ = 0		MM	INCH			INITIAL REVISION: DRWN: DSOPPIN 2018/12/26 APPR: HKNEELAND 2019/04/25	
▽ = 0						DOCUMENT NUMBER: 1301470288 DOC TYPE: PSD DOC PART: 000 REVISION: A	
▽ = 0	DRAFT WHERE APPLICABLE MUST REMAIN WITHIN DIMENSIONS		THIRD ANGLE PROJECTION	DRAWING	SERIES		
▽ = 0				C-SIZE	130147		
DOCUMENT STATUS		P1	RELEASE DATE	2019/04/25	22:38:07		
MATERIAL NUMBER		CUSTOMER		SHEET NUMBER			
SEE TABLE		GENERAL MARKET		1 OF 1			