

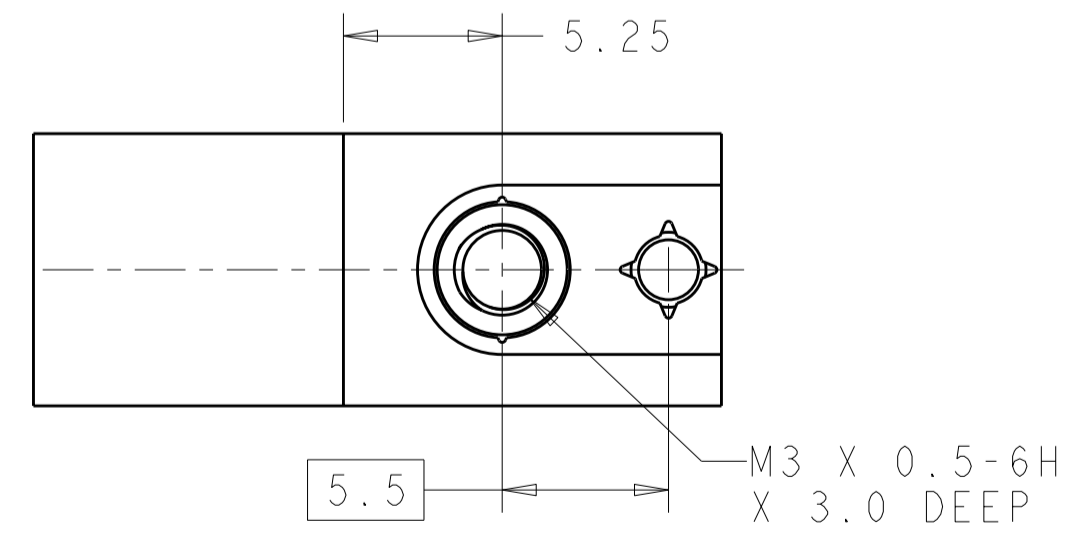
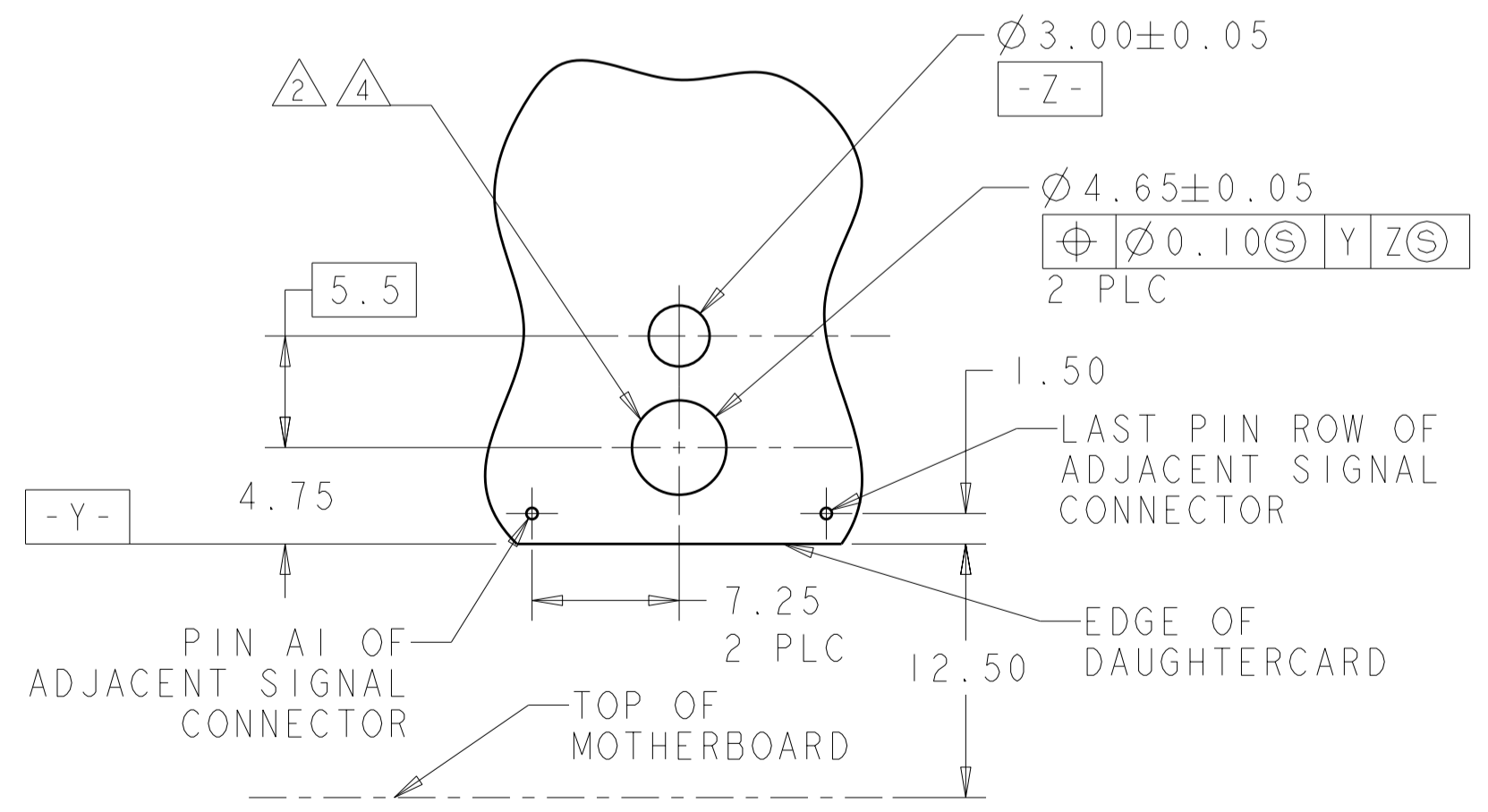
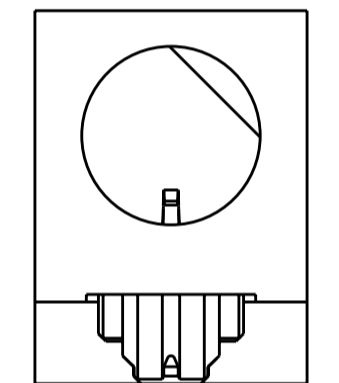
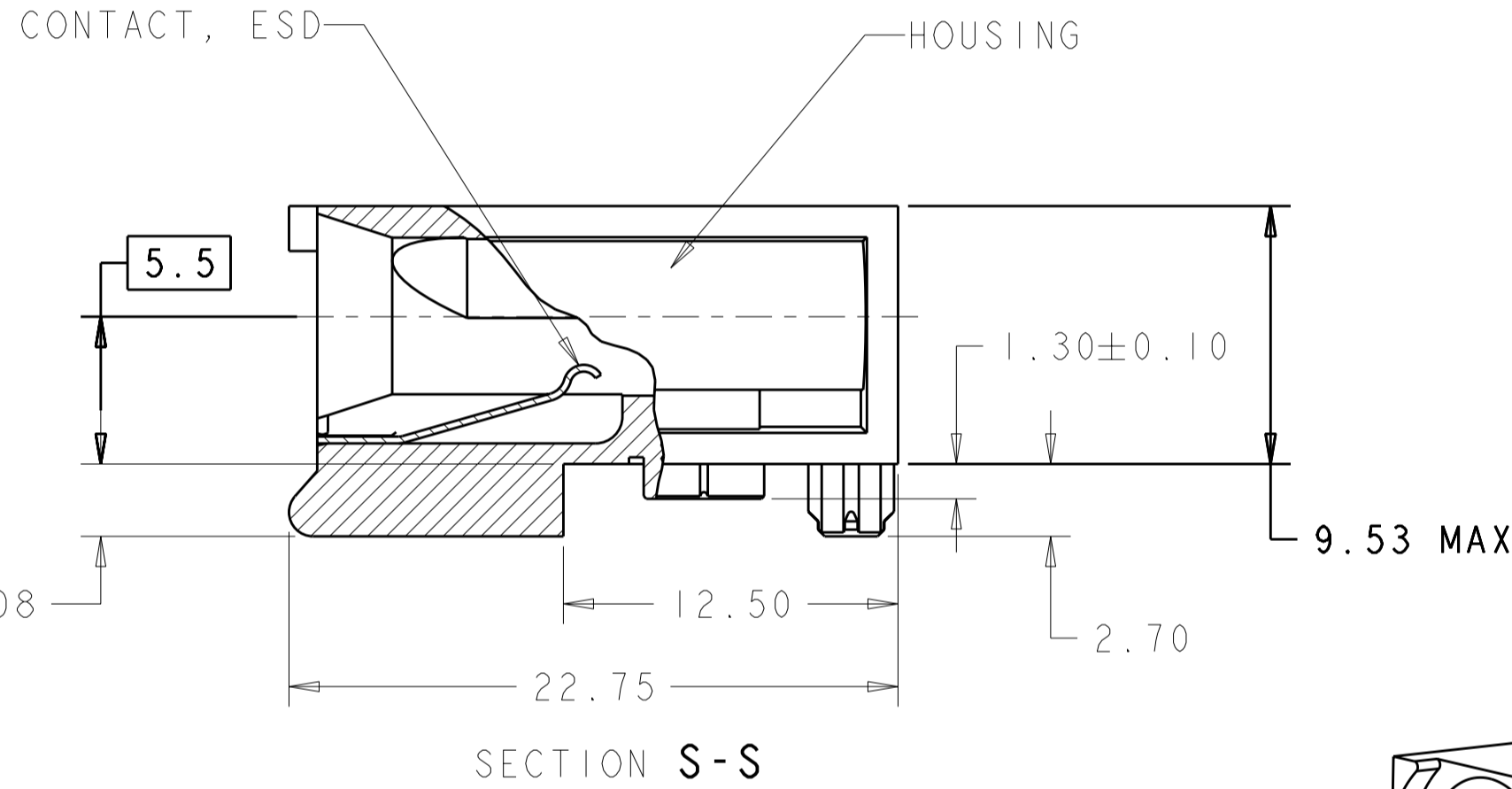
THIS DRAWING IS UNPUBLISHED. RELEASED FOR PUBLICATION 20
 © COPYRIGHT 20 BY - ALL RIGHTS RESERVED.

LOC	DIST	REVISIONS			
P	LTR	DESCRIPTION	DATE	DWN	APVD
AD	00	A	RELEASED	04AUG2011	BC AS

PART NO.	"A°"	HOUSING	CONTACT
1-1410353-1	0°	△5	△6
1-1410353-2	45°	△5	△6
1-1410353-3	90°	△5	△6
1-1410353-7	270°	△5	△6
1-1410353-8	315°	△5	△6
1-1410353-9	△7	△5	△6



- 1 MATERIAL: HOUSING: ZINC ALLOY DIE CASTING, ZAMAK 3; CONTACT: PHOSPHOR BRONZE
- 2 HOLE FOR POSITIVE RETENTION SCREW.
- 3 DASH NUMBERS INDICATE KEY ORIENTATION (P/N 1-1410353-2 SHOWN ON DRAWING)
- 4 GROUND PAD Ø5mm ON BOTH SIDE OF PCB.
- 5 FINISH: SILVER OVER NICKEL OVER COPPER
- 6 CONTACT FINISH: 3.81µm MINIMUM SILVER IN CONTACT AREA OVER 1.27µm MINIMUM NICKEL ALL OVER
- 7 GUIDE MODULE W/O KEYING; GUIDE PIN 1410354 SERIES MUST BE ORIENTED TO PROVIDE PROPER ESD PERFORMANCE



THIS DRAWING IS A CONTROLLED DOCUMENT.		DWN B. CARBO 04AUG2011	STE TE Connectivity
DIMENSIONS: mm		CHK A. SHARPE 04AUG2011	
TOLERANCES UNLESS OTHERWISE SPECIFIED:		APVD A. SHARPE 04AUG2011	
0 PLC ± 1 PLC ±0.5 2 PLC ±0.13 3 PLC ±0.01 4 PLC ±0.0001 ANGLES ± FINISH		PRODUCT SPEC 108-2072 APPLICATION SPEC 114-13056 WEIGHT -	
MATERIAL △1		NAME ASSEMBLY, GUIDE MODULE/STANDOFF, RIGHT ANGLE, 20.3mm, DAUGHTERCARD, MULTIGIG	
△5 △6		SIZE A200779 CAGE CODE C-1410353	
CUSTOMER DRAWING		DRAWING NO 114-13056	
SCALE 4:1		RESTRICTED TO -	
SHEET 1 OF 1		REV A	