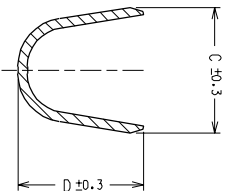
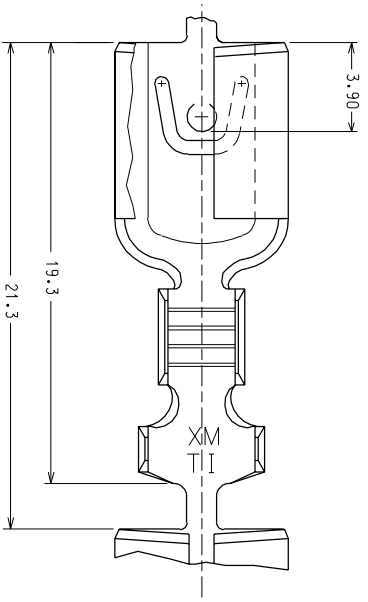


SECTION A - A

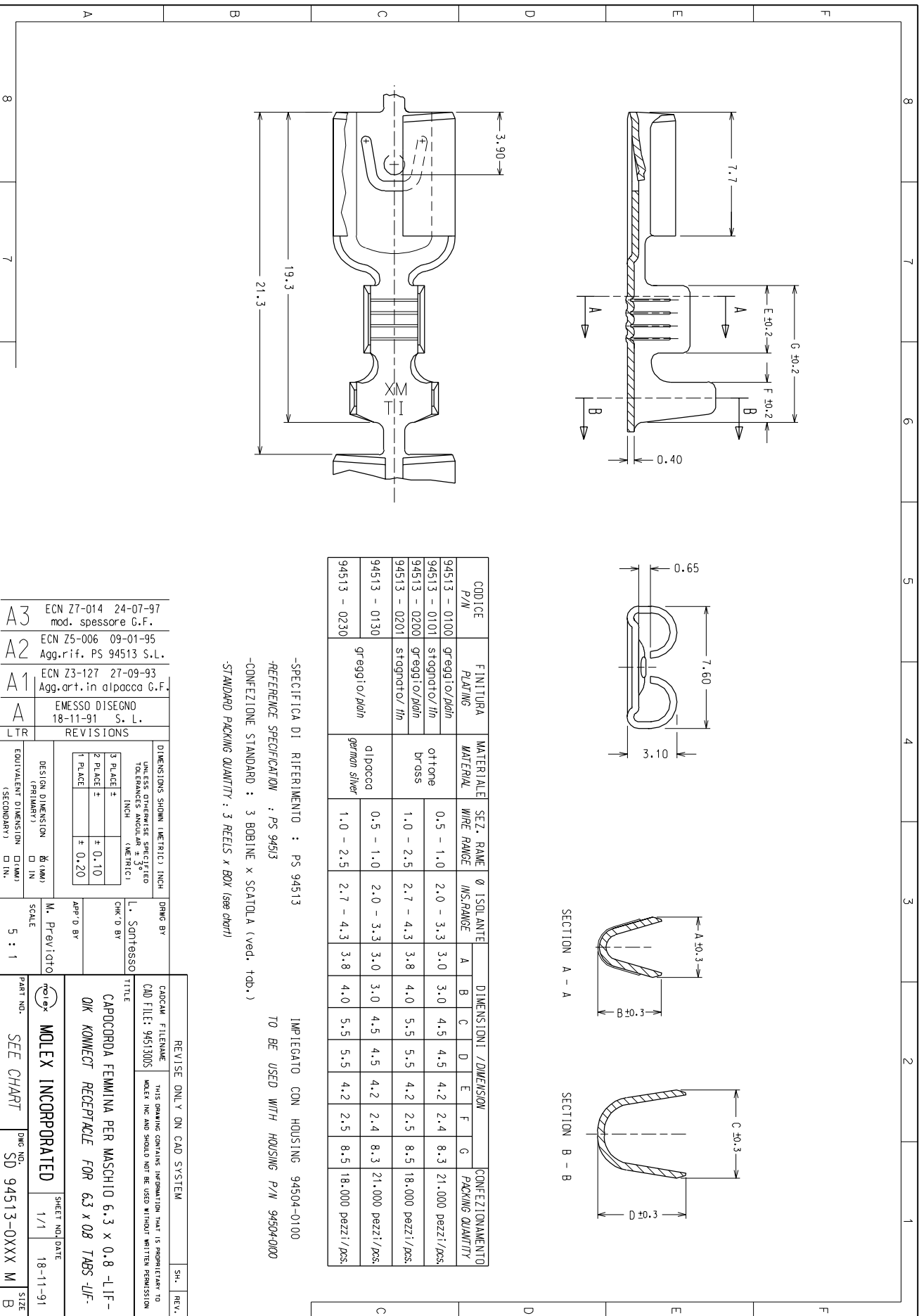


SECTION B - B



CODICE P/N	FINITURA PLATING	MATERIALE	SEZ. RANGE WIRE RANGE	Ø ISOLANTE INS. RANGE	DIMENSIONI / DIMENSION							CONFEZIONAMENTO PACKING QUANTITY
					A	B	C	D	E	F	G	
94513 - 0100	gr eggio/pldn	ottone	0.5 - 1.0	2.0 - 3.3	3.0	3.0	4.5	4.5	4.2	2.4	8.3	21.000 pezzi/pcs.
94513 - 0101	stagnato/th	brass	1.0 - 2.5	2.7 - 4.3	3.8	4.0	5.5	5.5	4.2	2.5	8.5	18.000 pezzi/pcs.
94513 - 0200	gr eggio/pldn	ottone	1.0 - 2.5	2.7 - 4.3	3.8	4.0	5.5	5.5	4.2	2.5	8.5	18.000 pezzi/pcs.
94513 - 0201	stagnato/th	brass	1.0 - 2.5	2.7 - 4.3	3.8	4.0	5.5	5.5	4.2	2.5	8.5	18.000 pezzi/pcs.
94513 - 0130	gr eggio/pldn	dipoccd	0.5 - 1.0	2.0 - 3.3	3.0	3.0	4.5	4.5	4.2	2.4	8.3	21.000 pezzi/pcs.
94513 - 0230	gr eggio/pldn	german silver	1.0 - 2.5	2.7 - 4.3	3.8	4.0	5.5	5.5	4.2	2.5	8.5	18.000 pezzi/pcs.

-SPECIFICA DI RIFERIMENTO : PS 94513  
 -REFERENCE SPECIFICATION : PS 94513  
 -CONFEZIONE STANDARD : 3 BOBINE x SCATOLA (ved. tab.)  
 -STANDARD PACKING QUANTITY : 3 REELS x BOX (see chart)



A3	ECN Z7-014 24-07-97 mod. spessore G.F.																											
A2	ECN Z5-006 09-01-95 Agg.rif. PS 94513 S.L.																											
A1	ECN Z3-127 27-09-93 Agg.art.in alpacca G.F.																											
A	EMESSO DISCNO 18-11-91 S. L.																											
LTR	REVISIONS																											
<table border="1"> <tr> <th>DESIGN DIMENSION (PRIMARY)</th> <th>Ø (MM)</th> <th>Ø (IN)</th> </tr> <tr> <td>EQUIVALENT DIMENSION (SECONDARY)</td> <td>□ IN.</td> <td>□ IN.</td> </tr> </table>		DESIGN DIMENSION (PRIMARY)	Ø (MM)	Ø (IN)	EQUIVALENT DIMENSION (SECONDARY)	□ IN.	□ IN.																					
DESIGN DIMENSION (PRIMARY)	Ø (MM)	Ø (IN)																										
EQUIVALENT DIMENSION (SECONDARY)	□ IN.	□ IN.																										
<table border="1"> <tr> <th>DIMENSIONS SHOWN (METRIC) INCH</th> <th>UNLESS OTHERWISE SPECIFIED TOLERANCES ANGLES ± 3°</th> </tr> <tr> <td>3 PLACE ±</td> <td>± 0.10</td> </tr> <tr> <td>2 PLACE ±</td> <td>± 0.20</td> </tr> <tr> <td>1 PLACE</td> <td>± 0.20</td> </tr> </table>		DIMENSIONS SHOWN (METRIC) INCH	UNLESS OTHERWISE SPECIFIED TOLERANCES ANGLES ± 3°	3 PLACE ±	± 0.10	2 PLACE ±	± 0.20	1 PLACE	± 0.20																			
DIMENSIONS SHOWN (METRIC) INCH	UNLESS OTHERWISE SPECIFIED TOLERANCES ANGLES ± 3°																											
3 PLACE ±	± 0.10																											
2 PLACE ±	± 0.20																											
1 PLACE	± 0.20																											
<table border="1"> <tr> <th>DESIGN DIMENSION (MM)</th> <th>DESIGN DIMENSION (IN)</th> </tr> <tr> <td>□ (MM)</td> <td>□ (IN)</td> </tr> </table>		DESIGN DIMENSION (MM)	DESIGN DIMENSION (IN)	□ (MM)	□ (IN)																							
DESIGN DIMENSION (MM)	DESIGN DIMENSION (IN)																											
□ (MM)	□ (IN)																											
DRAWING BY: L. SONTBESSE																												
CHK'D BY: M. Previcchio																												
APP'D BY: SCALE: 5 : 1																												
<table border="1"> <tr> <th>REVISE ONLY ON CAD SYSTEM</th> <th>SH.</th> <th>REV.</th> </tr> <tr> <td>CAD FILE: 94513005</td> <td></td> <td></td> </tr> <tr> <td colspan="3">THIS DRAWING CONTAINS INFORMATION THAT IS PROPRIETARY TO MOLEX INC AND SHOULD NOT BE USED WITHOUT WRITTEN PERMISSION</td> </tr> <tr> <td colspan="3">TITLE: CAPCODDA FEMMINA PER MASCHIO 6.3 x 0.8 -LIF- DKM CONNECT RECEPTACLE FOR 63 X 08 TABS -LIF-</td> </tr> <tr> <td colspan="3">MOLLEX INCORPORATED</td> </tr> <tr> <td colspan="3">SHEET NO./DATE: 1/1 18-11-91</td> </tr> <tr> <td colspan="3">PART NO. SEE CHART</td> </tr> <tr> <td colspan="3">DWG NO. SD 94513-0XXX</td> </tr> <tr> <td colspan="3">SIZE M B</td> </tr> </table>		REVISE ONLY ON CAD SYSTEM	SH.	REV.	CAD FILE: 94513005			THIS DRAWING CONTAINS INFORMATION THAT IS PROPRIETARY TO MOLEX INC AND SHOULD NOT BE USED WITHOUT WRITTEN PERMISSION			TITLE: CAPCODDA FEMMINA PER MASCHIO 6.3 x 0.8 -LIF- DKM CONNECT RECEPTACLE FOR 63 X 08 TABS -LIF-			MOLLEX INCORPORATED			SHEET NO./DATE: 1/1 18-11-91			PART NO. SEE CHART			DWG NO. SD 94513-0XXX			SIZE M B		
REVISE ONLY ON CAD SYSTEM	SH.	REV.																										
CAD FILE: 94513005																												
THIS DRAWING CONTAINS INFORMATION THAT IS PROPRIETARY TO MOLEX INC AND SHOULD NOT BE USED WITHOUT WRITTEN PERMISSION																												
TITLE: CAPCODDA FEMMINA PER MASCHIO 6.3 x 0.8 -LIF- DKM CONNECT RECEPTACLE FOR 63 X 08 TABS -LIF-																												
MOLLEX INCORPORATED																												
SHEET NO./DATE: 1/1 18-11-91																												
PART NO. SEE CHART																												
DWG NO. SD 94513-0XXX																												
SIZE M B																												