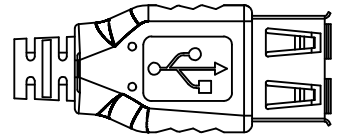
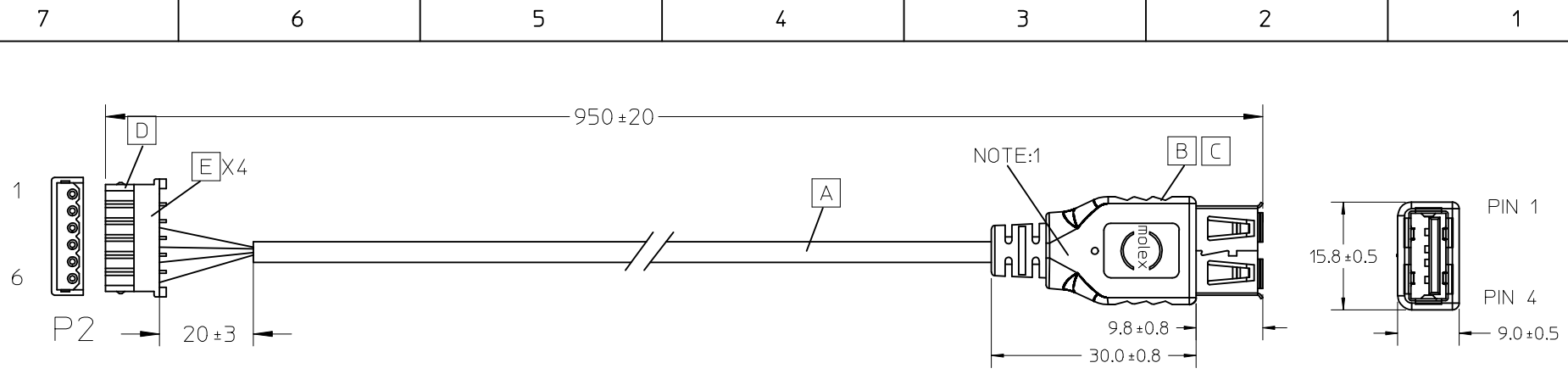


**NOTE:**

- OVER MOLDED WITH BLACK PVC RESIN  
INNER MOLDED WITH PE RESIN
- THIS PRODUCT MUST MEET THE MOLEX CHEMICAL SUBSTANCES  
SPECIFICATION FOR PRODUCTS ( MOLEX ES-40000-5016 ).
- THIS PRODUCT ELECTRICAL AND MECHANICAL PERFORMANCE PLEASE REFER TO  
USB INDUSTRIAL STANDARD.

N/A	BRAID WIRE	SHELL	ITEM	DESCRIPTION	L(mm)	QTY.
6	AWG24 BLACK	4	E	2.5 Low Profile Crimp Rec Term 5263PBT		4
5	AWG28 GREEN	3	D	HOUSING		1
4	AWG28 WHITE	2	C	Copper foil 45*17mm		1
3	AWG24 RED	1	B	USB CONNECT(FEMALE)		1
P2	WIRE COLOR	P1	A	USB 2.0 #28/#24 OD=4.3 BLACK	AR	
PIN ASSIGNMENTS			ITEM	DESCRIPTION	L(mm)	QTY.

<b>ENTER DESCRIPTION</b> EC NO: CPG2013-0894 DRWN:FZHANG01 2012/10/08 CHKD:JFZHENG 2012/10/08 APPR:XAWANG 2012/10/09	<b>QUALITY SYMBOLS</b> 	<b>GENERAL TOLERANCES (UNLESS SPECIFIED)</b>		<b>DIMENSION STYLE</b> MM ONLY		SCALE	DESIGN UNITS METRIC	THIRD ANGLE PROJECTION	
			mm	INCH	DRAWN BY	DATE	<b>USB A-B #28/20 5000MM PANTONE 429C</b>		
		4 PLACES	±----	±----	FZHANG01	2012/10/08			
		3 PLACES	±----	±----	CHECKED BY	DATE			
		2 PLACES	±----	±----	JFZHENG	2012/10/08			
1 PLACE	±----	±----	APPROVED BY	DATE					
0 PLACE	±----	±----	XAWANG	2012/10/09	MATERIAL NO.		DOCUMENT NO.	SHEET NO.	
DRAFT WHERE APPLICABLE MUST REMAIN WITHIN DIMENSIONS		ANGULAR ±----°		687680121		SD-68768-025		1 OF 1	
THIS DRAWING CONTAINS INFORMATION THAT IS PROPRIETARY TO MOLEX INCORPORATED AND SHOULD NOT BE USED WITHOUT WRITTEN PERMISSION									



BACK SIDE

**NOTE:**

- OVER MOLDED WITH BLACK PVC RESIN  
INNER MOLDED WITH PE RESIN
- THIS PRODUCT MUST MEET THE MOLEX CHEMICAL SUBSTANCES SPECIFICATION FOR PRODUCTS ( MOLEX ES-40000-5016 ).
- THIS PRODUCT ELECTRICAL AND MECHANICAL PERFORMANCE PLEASE REFER TO USB INDUSTRIAL STANDARD.

N/A	BRAID WIRE	SHELL	ITEM	DESCRIPTION	L(mm)	QTY.
6	AWG24 BLACK	4	E	2.5 Low Profile Crimp Rec Term 5263PBT		4
5	AWG28 GREEN	3	D	HOUSING		1
4	AWG28 WHITE	2	C	Copper foil 45*17mm		1
3	AWG24 RED	1	B	USB CONNECT(FEMALE)		1
P2	WIRE COLOR	P1	A	USB 2.0 #28/#24 OD=4.3 BLACK	AR	
PIN ASSIGNMENTS			ITEM	DESCRIPTION	L(mm)	QTY.

ENTER DESCRIPTION EC NO: CPG2013-0894 DRWN:FZHANG01 2012/10/08 CHKD:JFZHENG 2012/10/08 APPR:XAWANG 2012/10/09	QUALITY SYMBOLS 	GENERAL TOLERANCES (UNLESS SPECIFIED)		DIMENSION STYLE		SCALE	DESIGN UNITS	THIRD ANGLE PROJECTION	
			mm	INCH	MM ONLY				METRIC
		4 PLACES	±----	±----	DRAWN BY	DATE	TITLE		
		3 PLACES	±----	±----	FZHANG01	2012/10/08	USB A-B #28/20 5000MM PANTONE 429C		
		2 PLACES	±----	±----	CHECKED BY	DATE			
1 PLACE	±----	±----	JFZHENG	2012/10/08					
0 PLACE	±----	±----	APPROVED BY	DATE					
ANGULAR ±----°		MATERIAL NO.		DOCUMENT NO.		SHEET NO.			
DRAFT WHERE APPLICABLE MUST REMAIN WITHIN DIMENSIONS		687680121		SD-68768-025		1 OF 1			
		SIZE A 4		THIS DRAWING CONTAINS INFORMATION THAT IS PROPRIETARY TO MOLEX INCORPORATED AND SHOULD NOT BE USED WITHOUT WRITTEN PERMISSION					