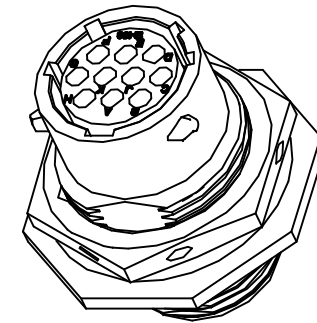
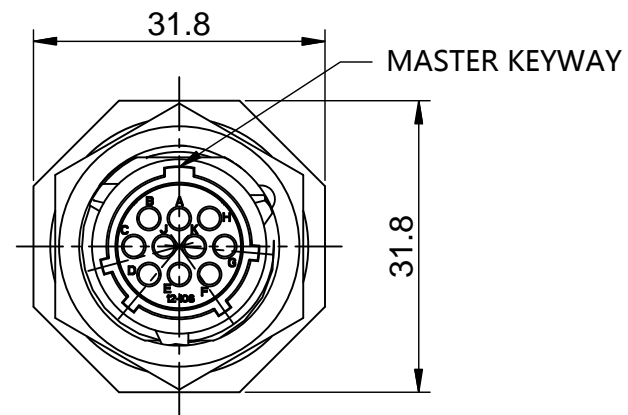
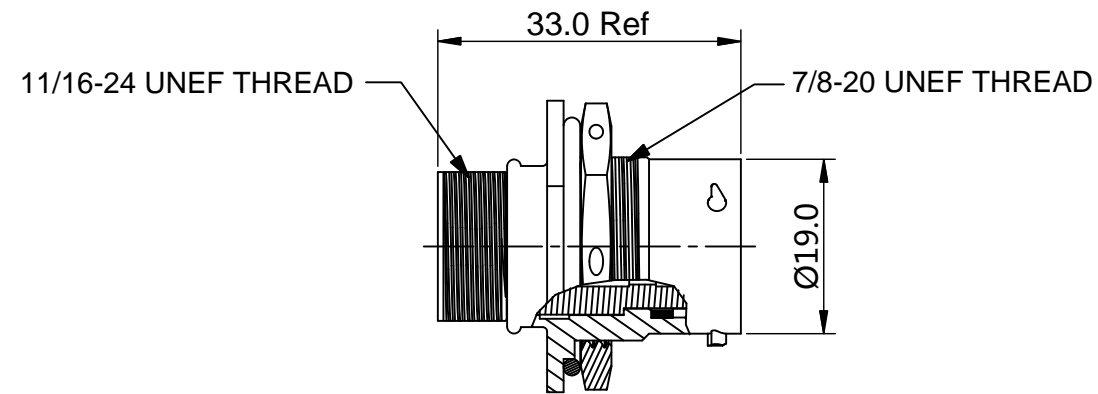
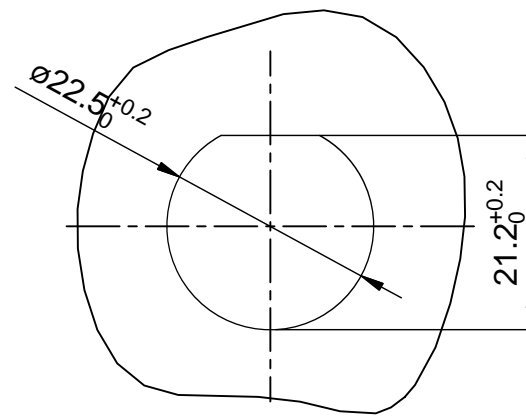


| REVISIONS |     |                  |             |     |       |
|-----------|-----|------------------|-------------|-----|-------|
| REV       | ECO | DESCRIPTION      | DATE        | BY  | APPR  |
| B1        | -   | RELEASED DRAWING | JUN-19-2014 | BEN | TOMMY |



NOTES : (UNLESS OTHERWISE SPECIFIED)

- MATERIAL :  
 SHELL : ZINC ALLOY , NICKEL PLATED.  
 JAM NUT : AL ALLOY , NICKEL PLATED.  
 INSERT : THERMOPLASTIC , UL94 V-0.  
 O-RING : NBR/SILICONE RUBBER.  
 SEAL GASKET : NBR/SILICONE RUBBER.
- SPECIFICATIONS :
  - RATED CURRENT :
    - STAMPED CONTACT 5A (MAX).
    - MACHINED CONTACT 7.5A (MAX).
  - RATED VOLTAGE : 150V ( AC/DC ) .
  - OPERATING TEMPERATURE : SEE CHART.
  - DIELECTRIC WITHSTANDING VOLTAGE : LESS THAN 2 MILLIAMPS CURRENT LEAKAGE@1500 VOLTS AC.
  - INSULATION RESISTANCE : 5000 MEGOHMS MIN.
  - IP--CLASS : IP67.
  - MATING CYCLES DURABILITY : 500 CYCLES MIN.
  - ROHS COMPLIANT.
- SUITABLE CONTACTS : 20# CONTACTS.
- ALL DIMENSIONS ARE FOR REFERENCE USE ONLY.



PANEL CUT OUT REFERENCE

| KEY POS | PART NUMBER   |                |
|---------|---------------|----------------|
|         | -40°C ~ 105°C | -40°C ~ 125°C  |
| N       | RT0W71210SNH  | RT0W71210SNH03 |
| W       | RT0W71210WNH  | RT0W71210WNH03 |
| X       | RT0W71210SXH  | RT0W71210SXH03 |
| Y       | RT0W71210SYH  | RT0W71210SYH03 |
| Z       | RT0W71210SZH  | RT0W71210SZH03 |

| QUANTITY  | SEE PART NUMBER<br>CHART<br>PART NUMBER | DESCRIPTION  | ITEM  |
|---|---|--|---|
| <b>MATERIALS LIST</b>   |   |  |   |
| UNLESS OTHERWISE SPECIFIED<br>1) All dimensions are in metric(mm).<br>2) Tolerances are as follows:<br>1 PL DEC ±0.30<br>2 PL DEC ±0.15<br>3 PL DEC ±0.08<br>Fractions ±1/64<br>Angles ±1°<br>3) Note reference = |   | <b>SIGNATURES</b><br>DRAWN: BEN<br>CHECKED:<br>ENGINEER:<br>APPROVAL:<br><b>DATE</b><br>JUN-19-2014  | <b>Amphenol</b><br>Sine Systems - www.amphenol-sine.com<br>44724 Morley Drive<br>Clinton Township, MI 48036 |
| MATERIAL SPECIFICATIONS:  |   | CUSTOMER:  | ECO-MATE,RECEPTACLE,JAM NUT, SIZE 12,10POS,SOCKET.  |
| PROCESS SPECIFICATIONS:   |   | THIS DRAWING IS SUPPLIED FOR INFORMATION ONLY. DESIGN FEATURES, SPECIFICATIONS AND PERFORMANCE DATA SHOWN HEREON ARE THE PROPERTY OF THE AMPHENOL CORPORATION. NO RIGHTS OF REPRODUCTION ARE IMPLIED. ALL DIMENSIONS ARE SUBJECT TO NORMAL MANUFACTURING VARIATIONS. | SIZE: <b>B</b> C-<br>DWG NO: <b>RT0W71210S*H*</b><br>REVISION: <b>B1</b>                                    |
| NEXT ASSY:  |   | SCALE: NONE  | SHEET 1 OF 1  |

TITLE: ECO-MATE,RECEPTACLE,JAM NUT,SIZE 12,10POS,SOCKET.

DWG NO: RT0W71210S\*H\*

REV: B1

SH: 1

OF: 1

## ecomate® RM/RSSM/Aquarius™ - Contact Size 20 Options

| Crimp Contacts, Machined |            |       |                               |            |
|--------------------------|------------|-------|-------------------------------|------------|
| Part Number              |            | AWG   | Wire Range (mm <sup>2</sup> ) | Plating    |
| Male                     | Female     |       |                               |            |
| MP20W23F                 | MS20W23F   | 22-20 | 0.34-0.50                     | Gold Flash |
| MP20W23G5                | MS20W23G5  | 22-20 | 0.34-0.50                     | Gold 5μ"   |
| MP20W23G10               | MS20W23G10 | 22-20 | 0.34-0.50                     | Gold 10μ"  |
| MP20W23G15               | MS20W23G15 | 22-20 | 0.34-0.50                     | Gold 15μ"  |
| MP20W23G30               | MS20W23G30 | 22-20 | 0.34-0.50                     | Gold 30μ"  |
| MP24W23F                 | MS24W23F   | 26-24 | 0.13-0.25                     | Gold Flash |
| MP24W23G5                | MS24W23G5  | 26-24 | 0.13-0.25                     | Gold 5μ"   |
| MP24W23G10               | MS24W23G10 | 26-24 | 0.13-0.25                     | Gold 10μ"  |
| MP24W23G15               | MS24W23G15 | 26-24 | 0.13-0.25                     | Gold 15μ"  |
| MP24W23G30               | MS24W23G30 | 26-24 | 0.13-0.25                     | Gold 30μ"  |
| MP28W23F                 | MS28W23F   | 30-28 | 0.05-0.08                     | Gold Flash |
| MP28W23G5                | MS28W23G5  | 30-28 | 0.05-0.08                     | Gold 5μ"   |
| MP28W23G10               | MS28W23G10 | 30-28 | 0.05-0.08                     | Gold 10μ"  |
| MP28W23G15               | MS28W23G15 | 30-28 | 0.05-0.08                     | Gold 15μ"  |
| MP28W23G30               | MS28W23G30 | 30-28 | 0.05-0.08                     | Gold 30μ"  |

| Tooling, Machined |  |
|-------------------|--|
| Part Number       | Description                                  |
| QXRT20            | Contact Extraction Tool, #20 (Ø 1.0) Contact |
| MFY-3959          | Hand Crimp Tool for Machined Contacts        |
| MFY-3960          | Pneumatic Crimp Tool for Machined Contact    |

| Plating Options, All |  |
|----------------------|--|
| Symbol               | Plating                                    |
| T                    | Tin Plated (for Stamped & Formed Contacts) |
| S                    | Silver Plated 5Um (for Machined Contacts)  |
| F                    | Gold Plated                                |
| G5                   | Gold Plated (Thickness 5μ")                |
| G10                  | Gold Plated (Thickness 10μ")               |
| G15                  | Gold Plated (Thickness 15μ")               |
| G30                  | Gold Plated (Thickness 30μ")               |

| Crimp Contacts, Stamped & Formed |           |       |                               |            |
|----------------------------------|-----------|-------|-------------------------------|------------|
| Part Number                      |           | AWG   | Wire Range (mm <sup>2</sup> ) | Plating    |
| Male                             | Female    |       |                               |            |
| SP20W2F                          | SS20W2F   | 22-20 | 0.34-0.50                     | Gold Flash |
| SP20W2G5                         | SS20W2G5  | 22-20 | 0.34-0.50                     | Gold 5μ"   |
| SP20W2G10                        | SS20W2G10 | 22-20 | 0.34-0.50                     | Gold 10μ"  |
| SP20W2G15                        | SS20W2G15 | 22-20 | 0.34-0.50                     | Gold 15μ"  |
| SP20W2G30                        | SS20W2G30 | 22-20 | 0.34-0.50                     | Gold 30μ"  |
| SP24W2F                          | SS24W2F   | 26-24 | 0.14-0.25                     | Gold Flash |
| SP24W2G5                         | SS24W2G5  | 26-24 | 0.14-0.25                     | Gold 5μ"   |
| SP24W2G10                        | SS24W2G10 | 26-24 | 0.14-0.25                     | Gold 10μ"  |
| SP24W2G15                        | SS24W2G15 | 26-24 | 0.14-0.25                     | Gold 15μ"  |
| SP24W2G30                        | SS24W2G30 | 26-24 | 0.14-0.25                     | Gold 30μ"  |
| SP28W2F                          | SS28W2F   | 30-28 | 0.05-0.08                     | Gold Flash |
| SP28W2G5                         | SS28W2G5  | 30-28 | 0.05-0.08                     | Gold 5μ"   |
| SP28W2G10                        | SS28W2G10 | 30-28 | 0.05-0.08                     | Gold 10μ"  |
| SP28W2G15                        | SS28W2G15 | 30-28 | 0.05-0.08                     | Gold 15μ"  |
| SP28W2G30                        | SS28W2G30 | 30-28 | 0.05-0.08                     | Gold 30μ"  |

| Tooling, Stamped & Formed |  |
|---------------------------|--|
| Part Number               | Description  |
| QXRT20                    | Contact Extraction Tool, #20 (Ø 1.0) Contact           |
| MFY-3958                  | Hand Tool, Stamped & Formed Contact, Size 20, 20-28AWG |
| MFY-3957                  | Crimp Die for Stamped & Formed Contact                 |

| Misc Tooling, All |                            |
|-------------------|----------------------------|
| Part Number       | Description                |
| CA-4020-59        | Sealing Plug, Size 16 & 20 |

| Standard Quantity Order Options |                   |
|---------------------------------|-------------------|
| Machined                        | Stamped & Formed  |
| Bulk Package, 500 Pieces        | Reel, 3000 Pieces |