

# KAE-04471

## 2096 (H) x 2096 (V) Interline Transfer EMCCD Image Sensor

The KAE-04471 Image Sensor is a 4.4 Mp, 4/3" format, Interline Transfer EMCCD image sensor that provides exceptional imaging performance in extreme low light applications. Each of the sensor's four outputs incorporates both a conventional horizontal CCD register and a high gain EMCCD register.

An intra-scene switchable gain feature samples each charge packet on a pixel-by-pixel basis. This enables the camera system to determine whether the charge will be routed through the normal gain output or the EMCCD output based on a user selectable threshold. This feature enables imaging in extreme low light, even when bright objects are within a dark scene, allowing a single camera to capture quality images from sunlight to starlight.

**Table 1. GENERAL SPECIFICATIONS**

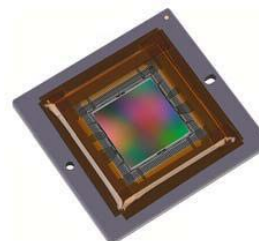
| Parameter   | Typical Value   |
|---|---|
| Architecture  | Interline CCD; with EMCCD   |
| Resolution  | 4.4 Megapixels  |
| Total Number of Pixels  | 2168 (H) x 2144 (V)   |
| Number of Effective Pixels  | 2120 (H) x 2120 (V)   |
| Number of Active Pixels   | 2096 (H) x 2096 (V)   |
| Pixel Size  | 7.4 $\mu\text{m}$ (H) x 7.4 $\mu\text{m}$ (V)                             |
| Active Image Size   | 15.51 mm (H) x 15.51 mm (V)<br>21.93 mm (Diagonal)<br>4/3" Optical Format |
| Aspect Ratio  | 1:1   |
| Number of Outputs   | 1, 2, or 4  |
| Charge Capacity   | 40,000 electrons  |
| Output Sensitivity<br>Normal Gain, Intra-scene                              | 33, 45 $\mu\text{V}/\text{e}^-$   |
| Quantum Efficiency<br>Mono (500, 800 nm) / R,G,B                            | (50%, 12%) / 31%, 42%, 43%  |
| Read Noise (20 MHz)<br>Normal Mode (1x Gain)<br>Intra-scene Mode (20x Gain) | < 10 electrons rms<br>< 1 electron rms                                    |
| Dark Current (-10°C)<br>Photodiode, VCCD                                    | < 0.1, 6 electrons/s  |
| Dynamic Range<br>Normal Mode (1x Gain)<br>Intra-scene Mode (20x Gain)       | 72 dB<br>92 dB  |
| Charge Transfer Efficiency  | 0.999999  |
| Blooming Suppression  | > 300 X   |
| Smear   | -110 dB   |
| Image Lag   | < 1 electron  |
| Maximum Data Rate   | 40 MHz (HCCD, +20°C),<br>20 MHz (EMCCD)                                   |
| Maximum Frame Rate  | 30 fps (40 MHz HCCD),<br>15 fps (20 MHz HCCD)                             |
| Power Consumption (Intra-scene, 15 fps)                                     | 1300 mW   |

NOTE: All Parameters are specified at T = -10°C unless otherwise noted.



**ON Semiconductor®**

[www.onsemi.com](http://www.onsemi.com)



**Figure 1. KAE-04471 Interline Transfer EMCCD Image Sensor**

### Features

- Intra-Scene Switchable Gain
- Wide Dynamic Range
- Low Noise Architecture
- Exceptional Low Light Imaging
- Global Shutter
- Excellent Image Uniformity and MTF
- Bayer Color Pattern and Monochrome

### Applications

- Scientific Imaging
- Medical Imaging
- Defense Imaging
- Surveillance
- Intelligent Transportation Systems

### ORDERING INFORMATION

See detailed ordering and shipping information on page 2 of this data sheet.

# KAE-04471

## ORDERING INFORMATION

US export controls apply to all shipments of this product designated for destinations outside of the US and Canada, requiring ON Semiconductor to obtain an export license

from the US Department of Commerce before image sensors or evaluation kits can be exported.

**Table 2. ORDERING INFORMATION – KAE-04471 IMAGE SENSOR**

| Part Number         | Description   | Marking Code                   |
|---------------------|---|--------------------------------|
| KAE-04471-ABA-JP-FA | Monochrome, Microlens, PGA Package, Taped Clear Cover Glass (No Coatings), Standard Grade                               | KAE-04471-ABA<br>Serial Number |
| KAE-04471-ABA-JP-EE | Monochrome, Microlens, PGA Package, Taped Clear Cover Glass (No Coatings), Engineering Grade                            |                                |
| KAE-04471-FBA-JP-FA | Color (Bayer RGB), Microlens, PGA Package, Taped Clear Cover Glass (No Coatings), Standard Grade                        | KAE-04471-FBA<br>Serial Number |
| KAE-04471-FBA-JP-EE | Color (Bayer RGB), Microlens, PGA Package, Taped Clear Cover Glass (No Coatings), Engineering Grade                     |                                |
| KAE-04471-ABA-SP-FA | Monochrome, Microlens, PGA Package with Integrated TEC, Taped Clear Cover Glass (No Coatings), Standard Grade           | KAE-04471-ABA<br>Serial Number |
| KAE-04471-ABA-SP-EE | Monochrome, Microlens, PGA Package with Integrated TEC, Taped Clear Cover Glass (No Coatings), Engineering Grade        |                                |
| KAE-04471-FBA-SP-FA | Color (Bayer RGB), Microlens, PGA Package with Integrated TEC, Taped Clear Cover Glass (No Coatings), Standard Grade    | KAE-04471-FBA<br>Serial Number |
| KAE-04471-FBA-SP-EE | Color (Bayer RGB), Microlens, PGA Package with Integrated TEC, Taped Clear Cover Glass (No Coatings), Engineering Grade |                                |
| KAE-04471-ABA-SD-FA | Monochrome, Microlens, PGA Package with Integrated TEC, Sealed MAR Cover Glass, Standard Grade                          | KAE-04471-ABA<br>Serial Number |
| KAE-04471-ABA-SD-EE | Monochrome, Microlens, PGA Package with Integrated TEC, Sealed MAR Cover Glass, Engineering Grade                       |                                |
| KAE-04471-FBA-SD-FA | Color (Bayer RGB), Microlens, PGA Package with Integrated TEC, Sealed MAR Cover Glass, Standard Grade                   | KAE-04471-FBA<br>Serial Number |
| KAE-04471-FBA-SD-EE | Color (Bayer RGB), Microlens, PGA Package with Integrated TEC, Sealed MAR Cover Glass, Engineering Grade                |                                |

See the ON Semiconductor *Device Nomenclature* document (TND310/D) for a full description of the naming convention used for image sensors. For reference documentation, including information on evaluation kits, please visit our web site at [www.onsemi.com](http://www.onsemi.com).

### Warning

The KAE-04471-ABA-SD and KAE-04471-FBA-SD packages have an integrated thermoelectric cooler (TEC) and have epoxy-sealed cover glass. The seal formed is non-hermetic, and may allow moisture ingress over time, depending on the storage environment.

As a result, care must be taken to avoid cooling the device below the dew point inside the package cavity, since this may result in moisture condensation.

For all KAE-04471 configurations, no warranty, expressed or implied, covers condensation.

DEVICE DESCRIPTION

Architecture

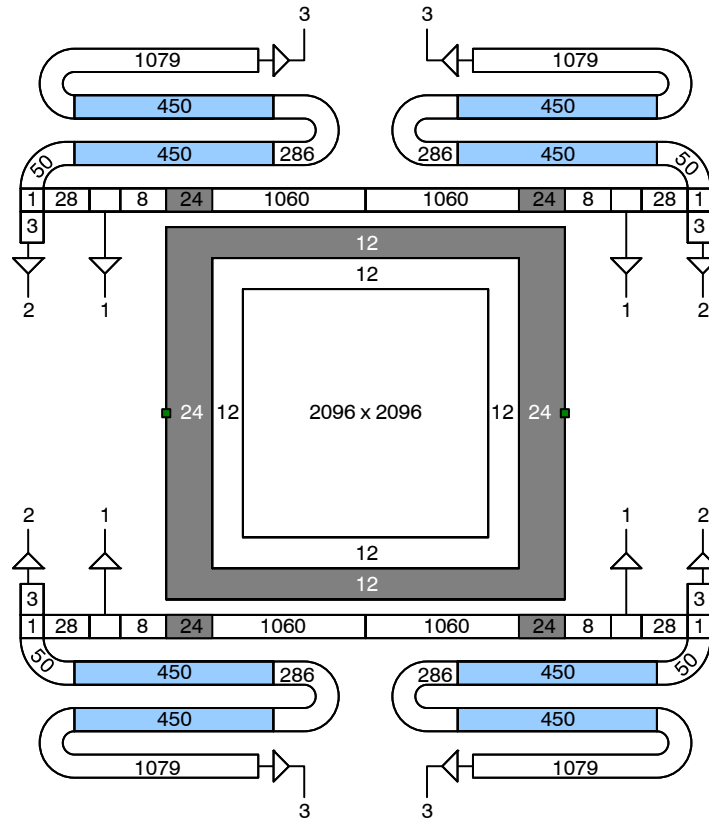


Figure 2. Block Diagram

**Dark Reference Pixels**

There are 12 dark reference rows at the top and bottom of the image sensor, as well as 24 dark reference columns on the left and right sides. However, the rows and columns at the perimeter edges should not be included in acquiring a dark reference signal, since they may be subject to some light leakage.

**Active Buffer Pixels**

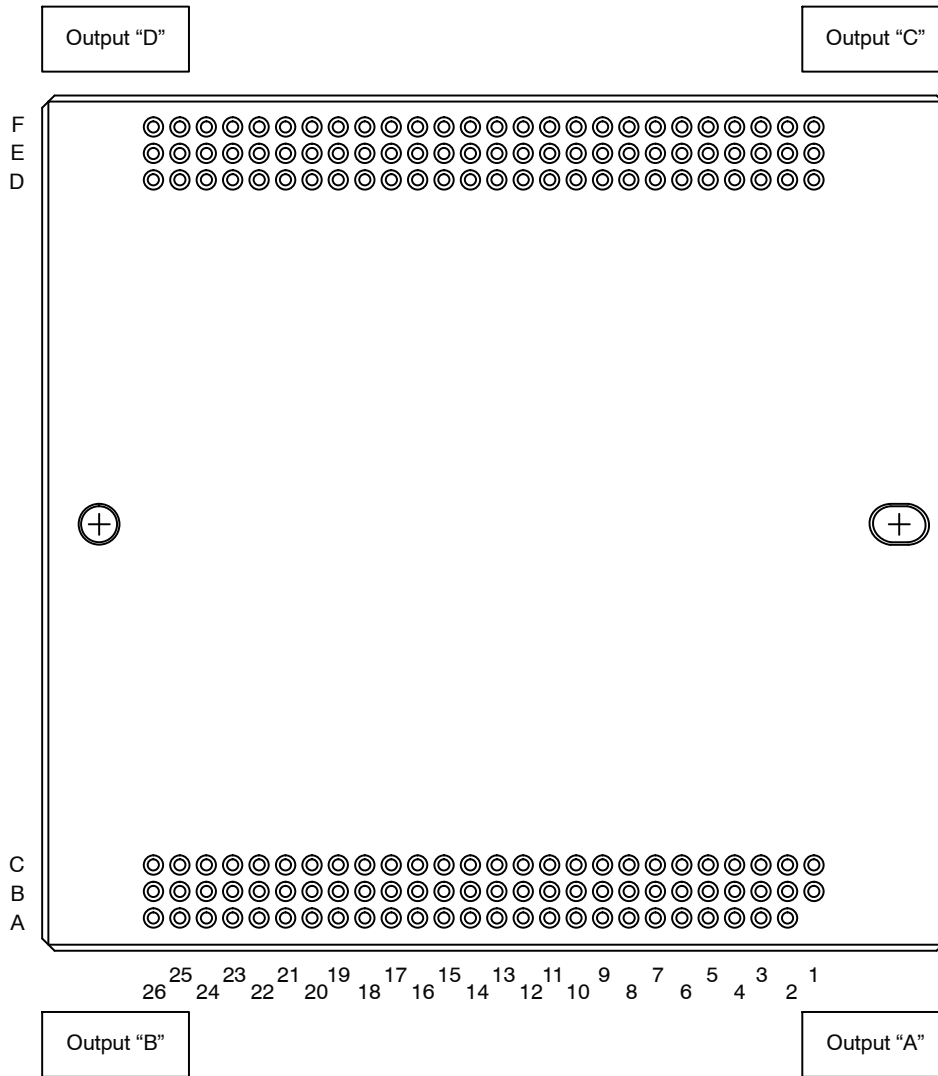
12 unshielded pixels adjacent to any leading or trailing dark reference regions are classified as active buffer pixels. These pixels are light sensitive but are not tested for defects and non-uniformities.

**Image Acquisition**

An electronic representation of an image is formed when incident photons falling on the sensor plane create electron-hole pairs within the individual silicon photodiodes. These photoelectrons are collected locally by the formation of potential wells at each photo-site. Below photodiode saturation, the number of photoelectrons collected at each pixel is linearly dependent upon light level and exposure time and non-linearly dependent on wavelength. When the photodiodes charge capacity is reached, excess electrons are discharged into the substrate to prevent blooming.

**Physical Description**

*Pin Grid Array Configuration*



**Figure 3. PGA Package Pin Designations (Bottom View)**

**Table 3. PIN DESCRIPTION**

| Pin No. | Label   | Description                                   |
|---------|---------|---|
| A2      | +9 V    | Charge Injection diode, quadrants a and c     |
| A3      | VDD15ac | +15 Volts supply                              |
| A4      | VDD1a   | Amplifier 1 supply, quadrant a                |
| A5      | VOUT1a  | Video output 1, quadrant a                    |
| A6      | VDD2a   | Amplifier 2 supply, quadrant a                |
| A7      | VOUT2a  | Video output 2, quadrant a                    |
| A8      | H2La    | HCCD last gate, outputs 1,2 and 3, quadrant a |
| A9      | VDD3a   | Amplifier 3 supply, quadrant a                |
| A10     | VOUT3a  | video output 3, quadrant a                    |
| A11     | H1a     | HCCD phase 1, quadrant a                      |
| A12     | H2a     | HCCD phase 2, quadrant a                      |
| A13     | GND     | Ground  |

**Table 3. PIN DESCRIPTION** (continued)

| Pin No. | Label   | Description                                   |
|---------|---------|---|
| A14     | H2b     | HCCD phase 2, quadrant b                      |
| A15     | H1b     | HCCD phase 1, quadrant b                      |
| A16     | VOOUT3b | Video output 3, quadrant b                    |
| A17     | VDD3b   | Amplifier 3 supply, quadrant b                |
| A18     | H2Lb    | HCCD last gate, outputs 1,2 and 3, quadrant b |
| A19     | VOOUT2b | Video output 2, quadrant b                    |
| A20     | VDD2b   | Amplifier 2 supply, quadrant b                |
| A21     | VOOUT1b | Amplifier 1 output, quadrant b                |
| A22     | VDD1b   | amplifier 1 supply, quadrant b                |
| A23     | VDD15bd | 15 V Supply, quadrants b and d                |
| A24     | +9 V    | Charge injection diode, quadrants b and d     |
| A25     | GND     | Ground  |
| A26     | N/C     | No connect                                    |
| B1      | GND     | Ground  |
| B2      | ESD     | Charge injection clock, quadrants a and c     |
| B3      | V4B     | VCCD bottom phase 4                           |
| B4      | GND     | Ground  |
| B5      | VSS1a   | Amplifier 1 return, quadrant a                |
| B6      | RG1a    | Amplifier 1 reset, quadrant a                 |
| B7      | RG23a   | Amplifier 2 and 3 reset, quadrant a           |
| B8      | GND     | Ground  |
| B9      | H2BEMa  | EMCCD barrier phase 2, quadrant a             |
| B10     | H1BEMa  | EMCCD barrier phase 1, quadrant a             |
| B11     | H1Sa    | HCCD storage phase 1, quadrant a              |
| B12     | H2Sa    | HCCD storage phase 2, quadrant a              |
| B13     | GND     | Ground  |
| B14     | H2Sb    | HCCD storage phase 2, quadrant b              |
| B15     | H1Sb    | HCCD storage phase 1, quadrant b              |
| B16     | H1BEMb  | EMCCD barrier phase 1, quadrant b             |
| B17     | H2BEMb  | EMCCD barrier phase 2, quadrant b             |
| B18     | GND     | Ground  |
| B19     | RG23b   | Amplifier 2 and 3 reset, quadrant b           |
| B20     | RG1b    | Amplifier 1 reset, quadrant b                 |
| B21     | VSS1b   | Amplifier 1 return, quadrant b                |
| B22     | GND     | Ground  |
| B23     | V4B     | VCCD bottom phase 4                           |
| B24     | ESD     | Charge injection clock, quadrants b and d     |
| B25     | GND     | Ground  |
| B26     | N/C     | No connect                                    |
| C1      | GND     | Ground  |
| C2      | ID      | Device ID                                     |
| C3      | V3B     | VCCD bottom phase 3                           |
| C4      | V2B     | VCCD bottom phase 2                           |
| C5      | V1B     | VCCD bottom phase 1                           |
| C6      | H2Xa    | Floating gate exit HCCD gate, quadrant a      |

**Table 3. PIN DESCRIPTION** (continued)

| Pin No. | Label   | Description                                  |
|---------|---------|--|
| C7      | H2SW2a  | HCCD output 2 selector, quadrant a           |
| C8      | H2SW3a  | HCCD output 3 selector, quadrant a           |
| C9      | H2SEMa  | EMCCD storage multiplier phase 2, quadrant a |
| C10     | H1SEMa  | EMCCD storage multiplier phase 1, quadrant a |
| C11     | H1Ba    | HCCD barrier phase 1, quadrant a             |
| C12     | H2Ba    | HCCD barrier phase 2, quadrant a             |
| C13     | SUB     | substrate                                    |
| C14     | H2Bb    | HCCD barrier phase 2, quadrant b             |
| C15     | H1Bb    | HCCD barrier phase 1, quadrant b             |
| C16     | H1SEMb  | EMCCD storage multiplier phase 1, quadrant b |
| C17     | H2SEMb  | EMCCD storage multiplier phase 2, quadrant b |
| C18     | H2SW3b  | HCCD Output 3 Selector, Quadrant b           |
| C19     | H2SW2b  | HCCD Output 2 Selector, Quadrant b           |
| C20     | H2Xb    | Floating gate exit HCCD gate, quadrant b     |
| C21     | V1B     | VCCD bottom phase 1                          |
| C22     | V2B     | VCCD bottom phase 2                          |
| C23     | V3B     | VCCD bottom phase 3                          |
| C24     | N/C     | No connect                                   |
| C25     | GND     | Ground                                       |
| C26     | N/C     | No connect                                   |
| D1      | N/C     | No connect                                   |
| D2      | N/C     | No connect                                   |
| D3      | V3T     | VCCD top phase 3                             |
| D4      | V2T     | VCCD top phase 2                             |
| D5      | V1T     | VCCD top phase 1                             |
| D6      | H2Xc    | Floating gate exit HCCD gate, quadrant c     |
| D7      | H2SW2c  | HCCD Output 2 Selector, Quadrant c           |
| D8      | H2SW3c  | HCCD Output 3 Selector, Quadrant c           |
| D9      | H2SEM c | EMCCD storage phase 2, quadrant c            |
| D10     | H1SEM c | EMCCD storage phase 1, quadrant c            |
| D11     | H1Bc    | HCCD barrier phase 1, quadrant c             |
| D12     | H2Bc    | HCCD barrier phase 2, quadrant c             |
| D13     | SUB     | Substrate                                    |
| D14     | H2Bd    | HCCD barrier phase 2, quadrant d             |
| D15     | H1Bd    | HCCD barrier phase 1, quadrant d             |
| D16     | H1SEM d | EMCCD storage multiplier phase 1, quadrant d |
| D17     | H2SEM d | EMCCD storage multiplier phase 2, quadrant d |
| D18     | H2SW3d  | HCCD output 3 selector, quadrant d           |
| D19     | H2SW2d  | HCCD output 2 selector, quadrant d           |
| D20     | H2Xd    | Floating gate exit HCCD gate, quadrant d     |
| D21     | V1T     | VCCD top phase 1                             |
| D22     | V2T     | VCCD top phase 2                             |
| D23     | V3T     | VCCD top phase 3                             |
| D24     | VSUBREF | Substrate voltage reference                  |
| D25     | GND     | Ground                                       |

**Table 3. PIN DESCRIPTION** (continued)

| Pin No. | Label  | Description                                   |
|---------|--------|---|
| D26     | N/C    | No connect                                    |
| E1      | N/C    | No connect                                    |
| E2      | GND    | Charge injection gate, quadrants a and c      |
| E3      | V4T    | VCCD top phase 4                              |
| E4      | GND    | Ground  |
| E5      | VSS1c  | Amplifier 1 return, quadrant c                |
| E6      | RG1c   | Amplifier 1 reset, quadrant c                 |
| E7      | RG23c  | Amplifier 2 and 3 reset, quadrant c           |
| E8      | GND    | Ground  |
| E9      | H2BEMc | EMCCD barrier phase 2, quadrant c             |
| E10     | H1BEMc | EMCCD barrier phase 1, quadrant c             |
| E11     | H1Sc   | HCCD storage phase 1, quadrant c              |
| E12     | H2Sc   | HCCD storage phase 2, quadrant c              |
| E13     | GND    | Ground  |
| E14     | H2Sd   | HCCD storage phase 2, quadrant d              |
| E15     | H1Sd   | HCCD storage phase 1, quadrant d              |
| E16     | H1BEMd | EMCCD barrier phase 1, quadrant d             |
| E17     | H2BEMd | EMCCD barrier phase 2, quadrant d             |
| E18     | GND    | Ground  |
| E19     | RG23d  | Amplifier 2 and 3 reset, quadrant d           |
| E20     | RG1d   | Amplifier 1 reset, quadrant d                 |
| E21     | VSS1d  | Amplifier 1 return, quadrant d                |
| E22     | GND    | Ground  |
| E23     | V4T    | VCCD top phase 4                              |
| E24     | GND    | Charge injection gate, quadrants b and d      |
| E25     | GND    | Ground  |
| E26     | N/C    | No connect                                    |
| F1      | N/C    | No connect                                    |
| F2      | V2B    | Charge injection clock, quadrants a and c     |
| F3      | ESD    |   |
| F4      | VDD1c  | Amplifier 1 supply, quadrant c                |
| F5      | VOUT1c | Video output 1, quadrant c                    |
| F6      | VDD2c  | Amplifier 2 supply, quadrant c                |
| F7      | VOUT2c | Video output 2, quadrant c                    |
| F8      | H2Lc   | HCCD last gate, outputs 1,2 and 3, quadrant c |
| F9      | VDD3c  | Amplifier 3 supply, quadrant c                |
| F10     | VOUT3c | Video output 3, quadrant c                    |
| F11     | H1c    | HCCD phase 1, quadrant c                      |
| F12     | H2c    | HCCD phase 2, quadrant c                      |
| F13     | GND    | Ground  |
| F14     | H2d    | HCCD phase 2, quadrant d                      |
| F15     | H1d    | HCCD phase 1, quadrant d                      |
| F16     | VOUT3d | Video output 3, quadrant b                    |
| F17     | VDD3d  | Amplifier 3 supply, quadrant d                |
| F18     | H2Ld   | HCCD last gate, outputs 1,2 and 3, quadrant d |

# KAE-04471

**Table 3. PIN DESCRIPTION** (continued)

| Pin No. | Label  | Description                               |
|---------|--------|---|
| F19     | VOUT2d | Video output 2, quadrant d                |
| F20     | VDD2d  | amplifier 2 supply, quadrant d            |
| F21     | VOUT1d | Amplifier 1 Output, Quadrant d            |
| F22     | VDD1d  | Amplifier 1 Supply, Quadrant d            |
| F23     | ESD    |   |
| F24     | V2B    | Charge injection clock, quadrants b and d |

**Table 4. PIN DESCRIPTION FOR PACKAGE WITH INTEGRATED TEC**

| Pin No. | Label   | Description                                    |
|---------|---------|--|
| A2      | +9 V    | +9 V Supply                                    |
| A3      | VDD15ac | +15 V Supply                                   |
| A4      | VDD1a   | Amplifier 1 Supply, Quadrant a                 |
| A5      | VOUT1a  | Video Output 1, Quadrant a                     |
| A6      | VDD2a   | Amplifier 2 Supply, Quadrant a                 |
| A7      | VOUT2a  | Video Output 2, Quadrant a                     |
| A8      | H2La    | HCCD Last Gate, Outputs 1, 2 and 3, Quadrant a |
| A9      | VDD3a   | Amplifier 3 Supply, Quadrant a                 |
| A10     | VOUT3a  | Video Output 3, Quadrant a                     |
| A11     | H1a     | HCCD Phase 1, Quadrant a                       |
| A12     | H2a     | HCCD Phase 2, Quadrant a                       |
| A13     | GND     | Ground   |
| A14     | H2b     | HCCD Phase 2, Quadrant b                       |
| A15     | H1b     | HCCD Phase 1, Quadrant b                       |
| A16     | VOUT3b  | Video Output 3, Quadrant b                     |
| A17     | VDD3b   | Amplifier 3 Supply, Quadrant b                 |
| A18     | H2Lb    | HCCD Last Gate, Outputs 1, 2 and 3, Quadrant b |
| A19     | VOUT2b  | Video Output 2, Quadrant b                     |
| A20     | VDD2b   | Amplifier 2 Supply, Quadrant b                 |
| A21     | VOUT1b  | Amplifier 1 Output, Quadrant b                 |
| A22     | VDD1b   | Amplifier 1 Supply, Quadrant b                 |
| A23     | VDD15bd | +15 V Supply, Quadrants b and d                |
| A24     | +9 V    | +9 V Supply                                    |
| A25     | GND     | Ground   |
| A26     | TEC-    | Thermoelectric Cooler Negative Bias            |
| B1      | GND     | Ground   |
| B2      | ESD     | ESD  |
| B3      | V4B     | VCCD Bottom Phase 4                            |
| B4      | GND     | Ground   |
| B5      | VSS1a   | Amplifier 1 Return, Quadrant a                 |
| B6      | RG1a    | Amplifier 1 Reset, Quadrant a                  |
| B7      | RG23a   | Amplifier 2 and 3 Reset, Quadrant a            |
| B8      | GND     | Ground   |
| B9      | H2BEMa  | EMCCD Barrier Phase 2, Quadrant a              |
| B10     | H1BEMa  | EMCCD Barrier Phase 1, Quadrant a              |



**Table 4. PIN DESCRIPTION FOR PACKAGE WITH INTEGRATED TEC** (continued)

| Pin No. | Label  | Description                                  |
|---------|--------|--|
| B11     | H1Sa   | HCCD Storage Phase 1, Quadrant a             |
| B12     | H2Sa   | HCCD Storage Phase 2, Quadrant a             |
| B13     | GND    | Ground                                       |
| B14     | H2Sb   | HCCD Storage Phase 2, Quadrant b             |
| B15     | H1Sb   | HCCD Storage Phase 1, Quadrant b             |
| B16     | H1BEMb | EMCCD Barrier Phase 1, Quadrant b            |
| B17     | H2BEMb | EMCCD Barrier Phase 2, Quadrant b            |
| B18     | GND    | Ground                                       |
| B19     | RG23b  | Amplifier 2 and 3 Reset, Quadrant b          |
| B20     | RG1b   | Amplifier 1 Reset, Quadrant b                |
| B21     | VSS1b  | Amplifier 1 Return, Quadrant b               |
| B22     | GND    | Ground                                       |
| B23     | V4B    | VCCD Bottom Phase 4                          |
| B24     | ESD    | ESD  |
| B25     | GND    | Ground                                       |
| B26     | TEC-   | Thermoelectric Cooler Negative Bias          |
| C1      | GND    | Ground                                       |
| C2      | ID     | Device ID                                    |
| C3      | V3B    | VCCD Bottom Phase 3                          |
| C4      | V2B    | VCCD Bottom Phase 2                          |
| C5      | V1B    | VCCD Bottom Phase 1                          |
| C6      | H2Xa   | Floating Gate Exit HCCD Gate, Quadrant a     |
| C7      | H2SW2a | HCCD Output 2 Selector, Quadrant a           |
| C8      | H2SW3a | HCCD Output 3 Selector, Quadrant a           |
| C9      | H2SEMa | EMCCD Storage Multiplier Phase 2, Quadrant a |
| C10     | H1SEMa | EMCCD Storage Multiplier Phase 1, Quadrant a |
| C11     | H1Ba   | HCCD Barrier Phase 1, Quadrant a             |
| C12     | H2Ba   | HCCD Barrier Phase 2, Quadrant a             |
| C13     | SUB    | Substrate                                    |
| C14     | H2Bb   | HCCD Barrier Phase 2, Quadrant b             |
| C15     | H1Bb   | HCCD Barrier Phase 1, Quadrant b             |
| C16     | H1SEMb | EMCCD Storage Multiplier Phase 1, Quadrant b |
| C17     | H2SEMb | EMCCD Storage Multiplier Phase 2, Quadrant b |
| C18     | H2SW3b | HCCD Output 3 Selector, Quadrant b           |
| C19     | H2SW2b | HCCD Output 2 Selector, Quadrant b           |
| C20     | H2Xb   | Floating Gate Exit HCCD Gate, Quadrant b     |
| C21     | V1B    | VCCD Bottom Phase 1                          |
| C22     | V2B    | VCCD Bottom Phase 2                          |
| C23     | V3B    | VCCD Bottom Phase 3                          |
| C24     | N/C    | No connect                                   |
| C25     | GND    | Ground                                       |
| C26     | TEC-   | Thermoelectric Cooler Negative Bias          |
| D1      | N/C    | No connect                                   |
| D2      | N/C    | No connect                                   |
| D3      | V3T    | VCCD Top Phase 3                             |

**Table 4. PIN DESCRIPTION FOR PACKAGE WITH INTEGRATED TEC** (continued)

| Pin No. | Label   | Description                                  |
|---------|---------|--|
| D4      | V2T     | VCCD Top Phase 2                             |
| D5      | V1T     | VCCD Top Phase 1                             |
| D6      | H2Xc    | Floating Gate Exit HCCD Gate, Quadrant c     |
| D7      | H2SW2c  | HCCD Output 2 Selector, Quadrant c           |
| D8      | H2SW3c  | HCCD Output 3 Selector, Quadrant c           |
| D9      | H2SEMc  | EMCCD Storage Phase 2, Quadrant c            |
| D10     | H1SEMc  | EMCCD Storage Phase 1, Quadrant c            |
| D11     | H1Bc    | HCCD Barrier Phase 1, Quadrant c             |
| D12     | H2Bc    | HCCD Barrier Phase 2, Quadrant c             |
| D13     | SUB     | Substrate                                    |
| D14     | H2Bd    | HCCD Barrier Phase 2, Quadrant d             |
| D15     | H1Bd    | HCCD Barrier Phase 1, Quadrant d             |
| D16     | H1SEMd  | EMCCD Storage Multiplier Phase 1, Quadrant d |
| D17     | H2SEMd  | EMCCD Storage Multiplier Phase 2, Quadrant d |
| D18     | H2SW3d  | HCCD Output 3 Selector, Quadrant d           |
| D19     | H2SW2d  | HCCD Output 2 Selector, Quadrant d           |
| D20     | H2Xd    | Floating Gate Exit HCCD Gate, Quadrant d     |
| D21     | V1T     | VCCD Top Phase 1                             |
| D22     | V2T     | VCCD Top Phase 2                             |
| D23     | V3T     | VCCD Top Phase 3                             |
| D24     | VSUBREF | Substrate Voltage Reference                  |
| D25     | GND     | Ground                                       |
| D26     | TEC+    | Thermoelectric Cooler Positive Bias          |
| E1      | N/C     | No connect                                   |
| E2      | GND     | Ground                                       |
| E3      | V4T     | VCCD Top Phase 4                             |
| E4      | GND     | Ground                                       |
| E5      | VSS1c   | Amplifier 1 Return, Quadrant c               |
| E6      | RG1c    | Amplifier 1 Reset, Quadrant c                |
| E7      | RG23c   | Amplifier 2 and 3 Reset, Quadrant c          |
| E8      | GND     | Ground                                       |
| E9      | H2BEMc  | EMCCD Barrier Phase 2, Quadrant c            |
| E10     | H1BEMc  | EMCCD Barrier Phase 1, Quadrant c            |
| E11     | H1Sc    | HCCD Storage Phase 1, Quadrant c             |
| E12     | H2Sc    | HCCD Storage Phase 2, Quadrant c             |
| E13     | GND     | Ground                                       |
| E14     | H2Sd    | HCCD Storage Phase 2, Quadrant d             |
| E15     | H1Sd    | HCCD Storage Phase 1, Quadrant d             |
| E16     | H1BEMd  | EMCCD Barrier Phase 1, Quadrant d            |
| E17     | H2BEMd  | EMCCD Barrier Phase 2, Quadrant d            |
| E18     | GND     | Ground                                       |
| E19     | RG23d   | Amplifier 2 and 3 Reset, Quadrant d          |
| E20     | RG1d    | Amplifier 1 Reset, Quadrant d                |
| E21     | VSS1d   | Amplifier 1 Return, Quadrant d               |
| E22     | GND     | Ground                                       |

**Table 4. PIN DESCRIPTION FOR PACKAGE WITH INTEGRATED TEC** (continued)

| Pin No. | Label  | Description                                    |
|---------|--------|--|
| E23     | V4T    | VCCD Top Phase 4                               |
| E24     | GND    | Ground   |
| E25     | GND    | Ground   |
| E26     | TEC+   | Thermoelectric Cooler Positive Bias            |
| F1      | N/C    | No connect                                     |
| F2      | V2B    | VCCD Bottom Phase 2                            |
| F3      | ESD    | ESD  |
| F4      | VDD1c  | Amplifier 1 Supply, Quadrant c                 |
| F5      | VOUT1c | Video Output 1, Quadrant c                     |
| F6      | VDD2c  | Amplifier 2 Supply, Quadrant c                 |
| F7      | VOUT2c | Video Output 2, Quadrant c                     |
| F8      | H2Lc   | HCCD Last Gate, Outputs 1, 2 and 3, Quadrant c |
| F9      | VDD3c  | Amplifier 3 Supply, Quadrant c                 |
| F10     | VOUT3c | Video Output 3, Quadrant c                     |
| F11     | H1c    | HCCD Phase 1, Quadrant c                       |
| F12     | H2c    | HCCD Phase 2, Quadrant c                       |
| F13     | GND    | Ground   |
| F14     | H2d    | HCCD Phase 2, Quadrant d                       |
| F15     | H1d    | HCCD Phase 1, Quadrant d                       |
| F16     | VOUT3d | Video Output 3, Quadrant b                     |
| F17     | VDD3d  | Amplifier 3 Supply, Quadrant d                 |
| F18     | H2Ld   | HCCD Last Gate, Outputs 1, 2 and 3, Quadrant d |
| F19     | VOUT2d | Video Output 2, Quadrant d                     |
| F20     | VDD2d  | Amplifier 2 Supply, Quadrant d                 |
| F21     | VOUT1d | Amplifier 1 Output, Quadrant d                 |
| F22     | VDD1d  | Amplifier 1 Supply, Quadrant d                 |
| F23     | ESD    | ESD  |
| F24     | V2B    | VCCD Bottom Phase 2                            |
| F25     | GND    | Ground   |
| F26     | TEC+   | Thermoelectric Cooler Positive Bias            |

## Imaging Performance

**Table 5. TYPICAL OPERATION CONDITIONS**

(Unless otherwise noted, the Imaging Performance Specifications are measured using the following conditions.)

| Description           | Condition                                       |
|-----------------------|---|
| Light Source (Note 1) | Continuous Red, Green and Blue LED Illumination |
| Operation             | Nominal Operating Voltages and Timing           |

1. For monochrome sensor, only green LED light source is used.

**Table 6. SPECIFICATIONS**

| Description  | Symbol      | Min.     | Nom.     | Max. | Unit   | Sampling Plan | Test Temperature (°C) |
|--|-------------|----------|----------|------|--------|---------------|-----------------------|
| Dark Field Global Non-Uniformity   | DSNU        | –        | –        | 2.0  | mVpp   | Die           | –10                   |
| Bright Field Global Non-Uniformity (Note 2)                                    |             | –        | 2.0      | 5.0  | %rms   | Die           | –10                   |
| Bright Field Global Peak to Peak Non-Uniformity (Note 2)                       | PRNU        | –        | 5.0      | 15.0 | %pp    | Die           | –10                   |
| Bright Field Center Non-Uniformity (Note 2)                                    |             | –        | 1.0      | 2.0  | %rms   | Die           | –10                   |
| Maximum Photoresponse Nonlinearity (EMCCD gain = 1) (Note 3)                   | NL          | –        | 2        | –    | %      | Design        |                       |
| Maximum Gain Difference Between Outputs (EMCCD gain = 1) (Note 8)              | $\Delta G$  | –        | 10       | –    | %      | Design        |                       |
| Maximum Signal Error due to Nonlinearity Differences (EMCCD gain = 1) (Note 3) | $\Delta NL$ | –        | 1        | –    | %      | Design        |                       |
| Horizontal CCD Charge Capacity   | $H_{Ne}$    | –        | 50       | –    | $ke^-$ | Design        |                       |
| Vertical CCD Charge Capacity   | $V_{Ne}$    | –        | 50       | –    | $ke^-$ | Design        |                       |
| Photodiode Charge Capacity (Note 4)  | $P_{Ne}$    | –        | 40       | –    | $ke^-$ | Die           | –10                   |
| Horizontal CCD Charge Transfer Efficiency                                      | HCTE        | 0.999995 | 0.999999 | –    |        | Die           | –10                   |
| Vertical CCD Charge Transfer Efficiency  | VCTE        | 0.999995 | 0.999999 | –    |        | Die           | –10                   |
| Photodiode Dark Current (Average)  | $I_{PD}$    | –        | 0.1      | 3    | e/p/s  | Design        | –10                   |
| Vertical CCD Dark Current  |             | –        | 0.4      | –    | e/p/s  | Design        | –10                   |
| Image Lag  | Lag         | –        | –        | 10   | e–     | Design        |                       |
| Antiblooming Factor  | $X_{AB}$    | 300      | 1000     | –    |        | Design        |                       |
| Vertical Smear (Blue Light)  | Smr         | –        | –100     | –    | dB     | Design        |                       |
| Read Noise (EMCCD Gain = 1) (Note 5)   | $n_{e-T}$   | –        | 9        | –    | e–rms  | Design        |                       |
| Read Noise (EMCCD Gain = 20)   |             | –        | < 1      | –    | e–rms  |               |                       |
| EMCCD Excess Noise Factor (Gain = 20x)   |             | –        | 1.4      | –    |        | Design        | 0                     |
| Dynamic Range (Gain = 1) (Notes 5, 6)  | DR          | –        | 72       | –    | dB     | Design        |                       |
| Dynamic Range (High Gain)  |             | –        | 60       | –    | dB     |               |                       |
| Dynamic Range (Intra-scene)  |             | –        | 92       | –    | dB     |               |                       |
| Output Amplifier DC Offset (VOUT2, VOUT3)                                      | $V_{ODC}$   | 8.0      | 10       | 12.0 | V      | Die           | –10                   |
| Output Amplifier DC Offset (VOUT1)   | $V_{ODC}$   | –0.5     | 1.0      | 2.5  | V      | Die           | –10                   |

Table 6. SPECIFICATIONS (continued)

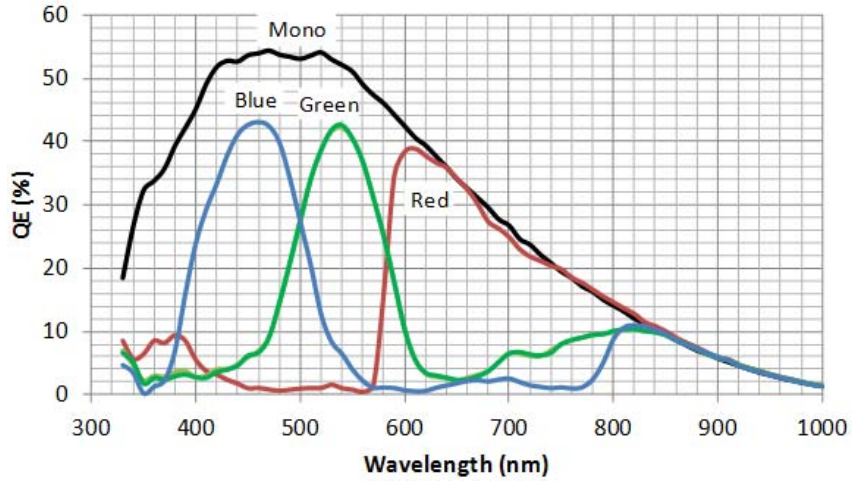
| Description  | Symbol                   | Min. | Nom. | Max. | Unit        | Sampling Plan | Test Temperature (°C) |
|--|--------------------------|------|------|------|-------------|---------------|-----------------------|
| Output Amplifier Bandwidth (Note 7)                    | $f_{-3db}$               | –    | 250  | –    | MHz         | Die           |                       |
| Output Amplifier Impedance                             | $R_{OUT}$                | –    | 140  | –    | $\Omega$    | Die           | –10                   |
| Output Amplifier Sensitivity (EMCCD Output)            | $\Delta V/\Delta N$      | –    | 45   | –    | $\mu V/e^-$ | Design        |                       |
| Output Amplifier Sensitivity (Floating Gate Amplifier) | $\Delta V/\Delta N$ (FG) | –    | 7.8  | –    | $\mu V/e^-$ | Design        |                       |
| Quantum Efficiency (Peak)                              | $QE_{max}$               |      |      |      | %           | Design        |                       |
| Monochrome   |                          | –    | 50%  | –    |             |               |                       |
| Red  |                          | –    | 31%  | –    |             |               |                       |
| Green  |                          | –    | 42%  | –    |             |               |                       |
| Blue   |                          | –    | 43%  | –    |             |               |                       |
| Power  |                          |      |      |      | W           | Design        |                       |
| 4-output Mode  |                          |      |      |      |             |               |                       |
| (20MHz)  |                          | –    | 0.8  | –    |             |               |                       |
| (40MHz)  |                          | –    | 0.7  | –    |             |               |                       |
| 2-output Mode  |                          |      |      |      |             |               |                       |
| (20MHz)  |                          | –    | 0.5  | –    |             |               |                       |
| (40MHz)  |                          | –    | 0.5  | –    |             |               |                       |
| 1-output Mode  |                          |      |      |      |             |               |                       |
| (20MHz)  |                          | –    | 0.4  | –    |             |               |                       |
| (40MHz)  |                          | –    | 0.4  | –    |             |               |                       |

2. Per color
3. Value is over the range of 10% to 90% of photodiode saturation.
4. The operating value of the substrate reference voltage,  $V_{AB}$ , can be read from  $V_{SUBREF}$ .
5. At 20 MHz.
6. Uses 20 LOG ( $P_{Ne}/n_{e-T}$ )
7. Calculated from  $f_{-3db} = 1 / 2\pi * R_{OUT} * C_{LOAD}$  where  $C_{LOAD} = 5$  pF.
8. The output-to-output gain differences may be adjusted by independently adjusting the EMCCD amplitude for each output.

**TYPICAL PERFORMANCE CURVES**

**Quantum Efficiency**

*Monochrome and Color with Microlens, No Cover Glass*

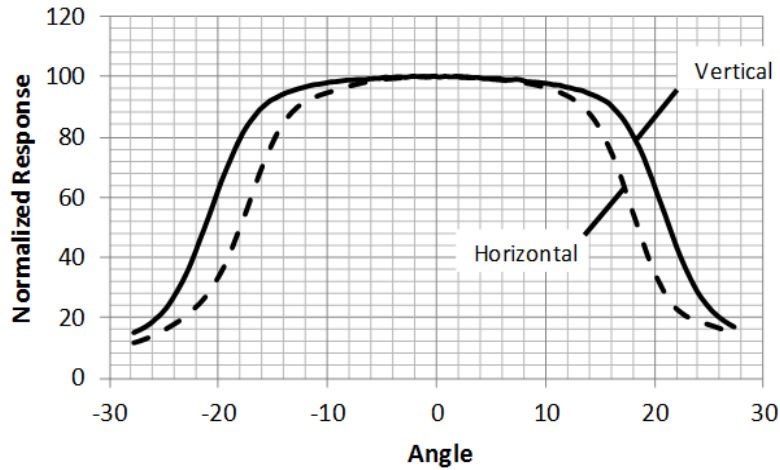


**Figure 4. Monochrome and Color Quantum Efficiency**

**Angular Response**

The incident light angle is varied in a plane parallel to the HCCD.

*Monochrome with Microlens, No Cover Glass*



**Figure 5. Angled Response for Monochrome Device**

Color (Bayer RGB) with Microlens, No Cover Glass

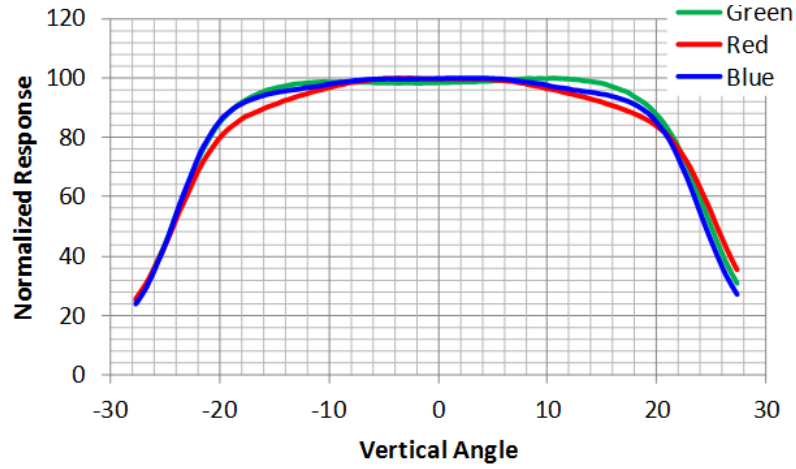


Figure 6. Vertical Angled Response for Color Device

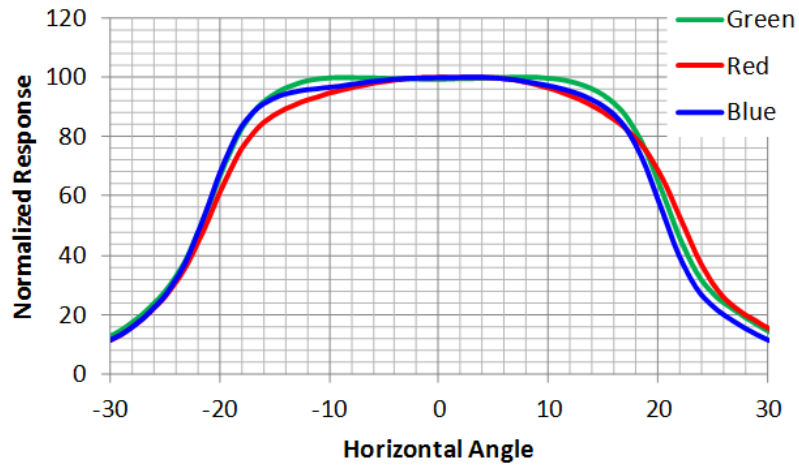


Figure 7. Horizontal Angled Response for Color Device

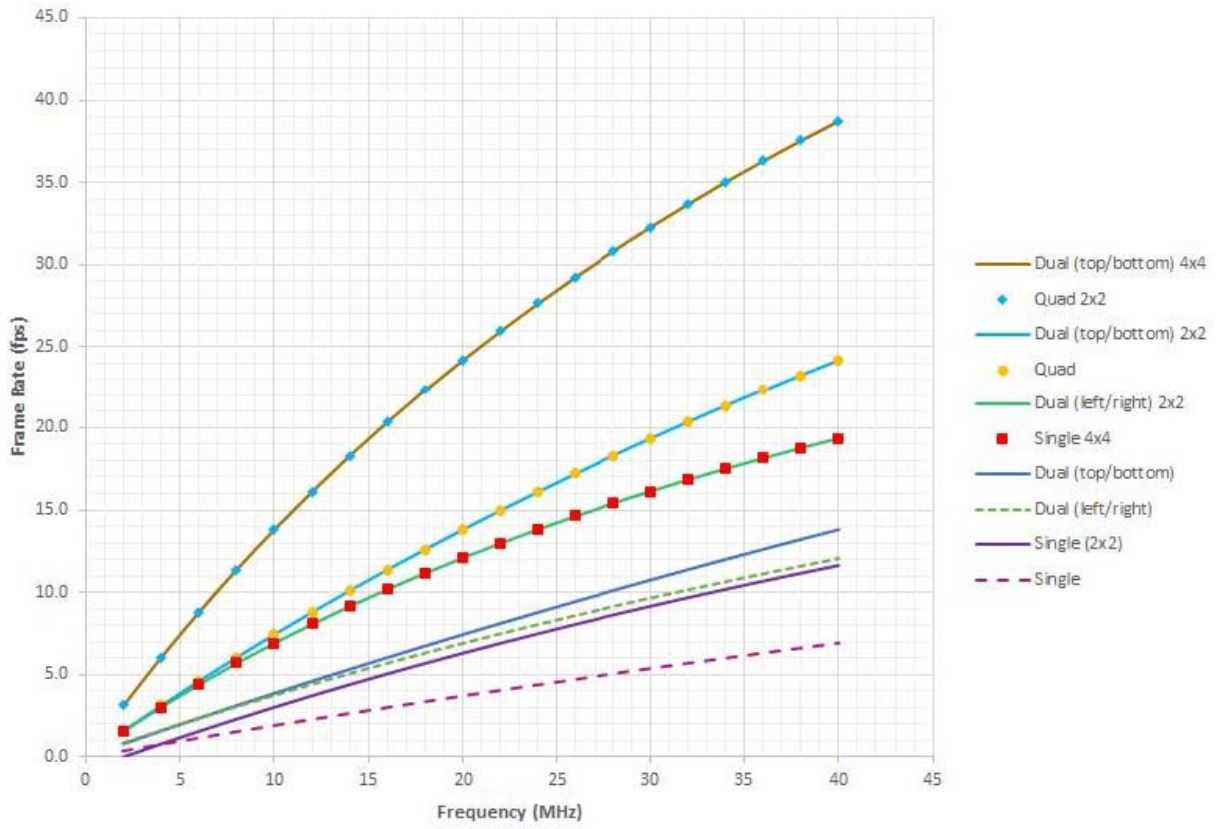


Figure 8. Frame Rates vs. Clock Frequency



**DEFECT DEFINITIONS**

**Table 7. DEFECT DEFINITIONS**

| Description                             | Definition   | Maximum Number Allowed |
|---|--|------------------------|
| Major Dark Field Defective Bright Pixel | Defect $\geq 30$ mV deviation from the mean, for all pixels in the active image area.  | 40                     |
| Major Bright Field Defective Dark Pixel | $\geq 12\%$  |                        |
| Minor Dark Field Defective Bright Pixel | Defect $\geq 15$ mV deviation from the mean, for all pixels in the active image area.  | 400                    |
| Cluster Defect                          | A group of 2 to 10 contiguous major defective pixels, with no more than 2 adjacent defects horizontally.   | 8                      |
| Column Defect                           | A group of more than 10 contiguous major dark defective pixels along a single column or 10 contiguous bright defective pixels along a single column. | 0                      |

9. Low exposure dark column defects are not counted at temperatures above  $-10^{\circ}\text{C}$

10. For the color device, a bright field defective pixel deviates by 12% with respect to pixels of the same color.

11. Column and cluster defects are separated by no less than 2 good pixels in any direction (excluding single pixel defects).

**OPERATION**

**Absolute Maximum Ratings**

Absolute maximum rating is defined as a level or condition that should not be exceeded at any time per the

description. If the level or the condition is exceeded, the device will be degraded and may be damaged. Operation at these values will reduce MTTF.

**Table 8. ABSOLUTE MAXIMUM RATINGS**

| Description                     | Symbol           | Minimum | Maximum | Unit |
|---------------------------------|------------------|---------|---------|------|
| Operating Temperature (Note 12) | T <sub>OP</sub>  | -30     | +40     | °C   |
| Humidity (Note 13)              | RH               | +5      | +90     | %    |
| Output Bias Current (Note 14)   | I <sub>OUT</sub> | -       | 60      | mA   |
| Off-chip Load                   | CL               | -       | 10      | pF   |

Stresses exceeding those listed in the Maximum Ratings table may damage the device. If any of these limits are exceeded, device functionality should not be assumed, damage may occur and reliability may be affected.

12. Noise performance will degrade at higher temperatures.

13. T = 25°C. Excessive humidity will degrade MTTF.

14. Total for all outputs. Maximum current is -15 mA for each output. Avoid shorting output pins to ground or any low impedance source during operation. Amplifier bandwidth increases at higher current and lower load capacitance at the expense of reduced gain (sensitivity).

**Table 9. ABSOLUTE MAXIMUM VOLTAGE RATINGS BETWEEN PINS AND GROUND**

| Description   | Minimum   | Maximum    | Unit |
|---|-----------|------------|------|
| VDD2(a,b,c,d), VDD3(a,b,c,d)  | -0.4      | 17.5       | V    |
| VOUT2(a,b,c,d), VOUT3(a,b,c,d)  | -0.4      | 15         | V    |
| VDD1(a,b,c,d), VOUT1(a,b,c,d)   | -0.4      | 7.0        | V    |
| V1B, V1T  | ESD - 0.4 | ESD + 22.0 | V    |
| V2B, V2T, V3B, V3T, V4B, V4T  | ESD - 0.4 | ESD + 14.0 | V    |
| H1(a,b,c,d), H2(a,b,c,d)<br>H1S(a,b,c,d), H2S(a,b,c,d)<br>H1B(a,b,c,d), H2B(a,b,c,d)<br>H1BEM(a,b,c,d), H2BEM(a,b,c,d)<br>H2SW2(a,b,c,d), H2SW3(a,b,c,d)<br>H2L(a,b,c,d)<br>H2X(a,b,c,d)<br>RG1(a,b,c,d), RG23(a,b,c,d) | -0.4      | +10        | V    |
| H1SEM(a,b,c,d), H2SEM(a,b,c,d)  | -0.4      | +20        | V    |
| ESD   | -9.0      | 0.0        | V    |
| SUB (Notes 15 and 16)   | 6.5       | 40         | V    |

15. Refer to Application Note *Using Interline CCD Image Sensors in High Intensity Visible Lighting Conditions*.

16. The measured value for VSUBREF is a diode drop higher than the recommended minimum VSUB bias.

**Power Up and Power Down Sequence**

SUB and ESD power up first, then power up all other biases in any order. No pin may have a voltage less than ESD at any time. All HCCD pins must be greater than or equal to

GND at all times. The SUBREF pin will not become valid until VDD15ac and VDD15bd have been powered. The SUB pin should be at least 4 V before powering up VDD2(a,b,c,d) and VDD3(a,b,c,d).

**Table 10. DC BIAS OPERATING CONDITIONS**

| Description                    | Pins  | Symbol           | Min.  | Nom.             | Max.            | Unit | Maximum DC Current                            |
|--------------------------------|---|------------------|-------|------------------|-----------------|------|---|
| Output Amplifier Return        | VSS1(a,b,c,d)   | VSS1             | -8.3  | -8.0             | -7.7            | V    | 4 mA  |
| Output Amplifier Supply        | VDD1(a,b,c,d)   | VDD1             | 4.5   | 5.0              | 6.0             | V    | 15 mA   |
| Output Amplifier Supply        | VDD2(a,b,c,d),<br>VDD3(a,b,c,d)                         | VDD              | +14.7 | +15.0            | +15.3           | V    | 18.0 mA                                       |
| Supply Voltage<br>(Note 17)    | VDD15ac,<br>VDD15bd                                     | VDD2,<br>VDD3    | +14.7 | +15.0            | +15.3           | V    | 9 mA  |
| Ground                         | GND   | GND              | 0.0   | 0.0              | 0.0             | V    | 17.0 mA                                       |
| Substrate<br>(Notes 18 and 19) | SUB   | VSUB             | 6.0   | VSUBREF<br>- 0.5 | VSUBREF<br>+ 28 | V    | Up to 1 mA<br>(Determined by<br>Photocurrent) |
| ESD Protection Disable         | ESD   | ESD              | -8.3  | -8.0             | -7.7            | V    | 2 mA  |
| Output Bias Current            | VOOUT1(a,b,c,d),<br>VOOUT2(a,b,c,d),<br>VOOUT3(a,b,c,d) | I <sub>OUT</sub> | 2.0   | 2.5              | 5.0             | mA   |   |

17. VDD15ac and VDD15bd bias pins must be maintained at 15 V during operation.

18. For each image sensor, the voltage output on the VSUBREF pin is programmed to be one diode drop, 0.5 V, above the nominal VSUB voltage. So, the applied VSUB should be one diode drop (0.5 V) lower than the VSUBREF value measured on the device, when VDD2(a,b,c,d) and VDD3(a,b,c,d) are at the specified voltage. This value corresponds to the VAB printed on the label for each sensor and applies to operation at 0°C. (For other temperatures, there is a temperature dependence of approximately 0.01 V/degree.) It is noted that VSUBREF is unique to each image sensor and may vary from 6.5 to 10.0 V. In addition, the output impedance of VSUBREF is approximately 100 k.

19. Caution: The EMCCD register must NOT be clocked while the electronic shutter pulse is high.

**AC Operating Conditions**

*Clock Levels*

**Table 11. CLOCK LEVELS**

| Pin                               | Function                  | HCCD and RG |         |      |           |         |      |
|-----------------------------------|---------------------------|-------------|---------|------|-----------|---------|------|
|                                   |                           | Low Level   |         |      | Amplitude |         |      |
|                                   |                           | Low         | Nominal | High | Low       | Nominal | High |
| H2B(a,b,c,d)                      | Reversible HCCD Barrier 2 | -0.2        | 0.0     | +0.2 | 3.1       | 3.3     | 3.6  |
| H1B(a,b,c,d)                      | Reversible HCCD Barrier 1 | -0.2        | 0.0     | +0.2 | 3.1       | 3.3     | 3.6  |
| H2S(a,b,c,d)                      | Reversible HCCD Storage 2 | -0.2        | 0.0     | +0.2 | 3.1       | 3.3     | 3.6  |
| H1S(a,b,c,d)                      | Reversible HCCD Storage 1 | -0.2        | 0.0     | +0.2 | 3.1       | 3.3     | 3.6  |
| H2SW2(a,b,c,d),<br>H2SW3(a,b,c,d) | HCCD Switch 2 and 3       | -0.2        | 0.0     | +0.2 | 3.1       | 3.3     | 3.6  |
| H2L(a,b,c,d)                      | HCCD Last Gate            | -0.2        | 0.0     | +0.2 | 3.1       | 3.3     | 3.6  |
| H2X(a,b,c,d)                      | Floating Gate Exit        | -0.2        | 0.0     | +0.2 | 6.2       | 6.6     | 7.0  |
| RG1(a,b,c,d)                      | Floating Gate Reset       | Cap         |         |      | 3.1       | 3.3     | 3.6  |
| RG23(a,b,c,d)                     | Floating Diffusion Reset  | Cap         |         |      | 3.1       | 3.3     | 3.6  |
| H1BEM(a,b,c,d)                    | Multiplier Barrier 1      | -0.2        | 0.0     | +0.2 | 4.6       | 5.0     | 5.4  |
| H2BEM(a,b,c,d)                    | Multiplier Barrier 2      | -0.2        | 0.0     | +0.2 | 4.6       | 5.0     | 5.4  |
| H1SEM(a,b,c,d)                    | Multiplier Storage 1      | -0.3        | 0.0     | +0.3 | 8.0       | -       | 18.0 |
| H2SEM(a,b,c,d)                    | Multiplier Storage 2      | -0.3        | 0.0     | +0.3 | 8.0       | -       | 18.0 |

20. HCCD Operating Voltages. There can be no overshoot on any horizontal clock below -0.4 V: the specified absolute minimum. The H1SEM and H2SEM clock amplitudes need to be software programmable independently for each quadrant to adjust the charge multiplier gain.

21. Reset Clock Operation: The RG1, RG23 signals must be capacitive coupled into the image sensor with a 0.01 μF to 0.1 μF capacitor. The reset clock overshoot can be no greater than 0.3 V, as shown in Figure 9, below.

# KAE-04471

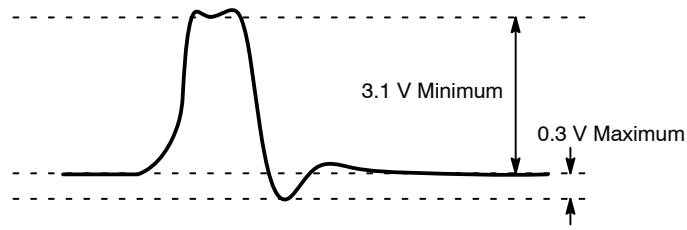


Figure 9. RG Clock Overshoot

## Clock Capacitances

| Pin    | pF |
|--------|----|
| H1SEMa | 45 |
| H2SEMa | 45 |
| H1BEMa | 45 |
| H2BEMa | 45 |
| H1a    | 65 |
| H2a    | 65 |
| H1Sa   | 75 |
| H2Sa   | 75 |
| H1Ba   | 75 |
| H2Ba   | 75 |

| Pin    | pF |
|--------|----|
| H1SEMb | 45 |
| H2SEMb | 45 |
| H1BEMb | 45 |
| H2BEMb | 45 |
| H1b    | 65 |
| H2b    | 65 |
| H1Sb   | 75 |
| H2Sb   | 75 |
| H1Bb   | 75 |
| H2Bb   | 75 |

| Pin    | pF |
|--------|----|
| H1SEMc | 45 |
| H2SEMc | 45 |
| H1BEMc | 45 |
| H2BEMc | 45 |
| H1c    | 65 |
| H2c    | 65 |
| H1Sc   | 75 |
| H2Sc   | 75 |
| H1Bc   | 75 |
| H2Bc   | 75 |

| Pin    | pF |
|--------|----|
| H1SEMd | 45 |
| H2SEMd | 45 |
| H1BEMd | 45 |
| H2BEMd | 45 |
| H1d    | 65 |
| H2d    | 65 |
| H1Sd   | 75 |
| H2Sd   | 75 |
| H1Bd   | 75 |
| H2Bd   | 75 |

NOTE: The capacitances of all other HCCD pins is 15 pF or less.

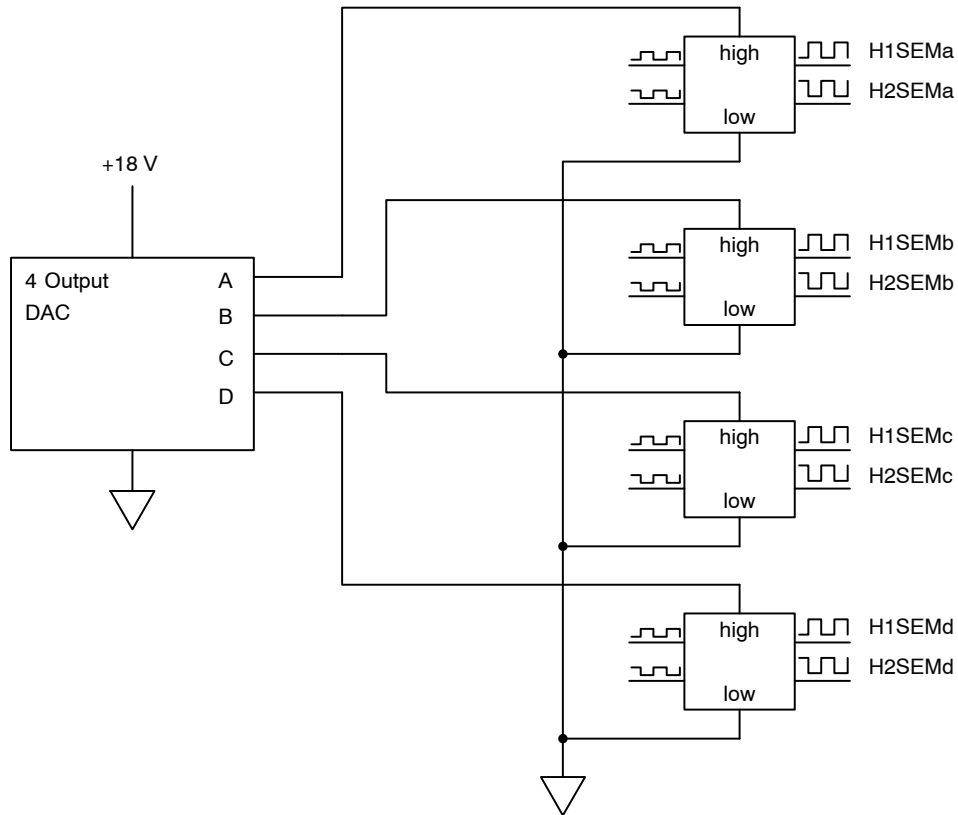


Figure 10. EMCCD Clock Adjustable Levels

For the EMCCD clocks, each quadrant must have independently adjustable high levels. All quadrants have a common low level of GND. The high level adjustments

must be software controlled to balance the gain of the four outputs.

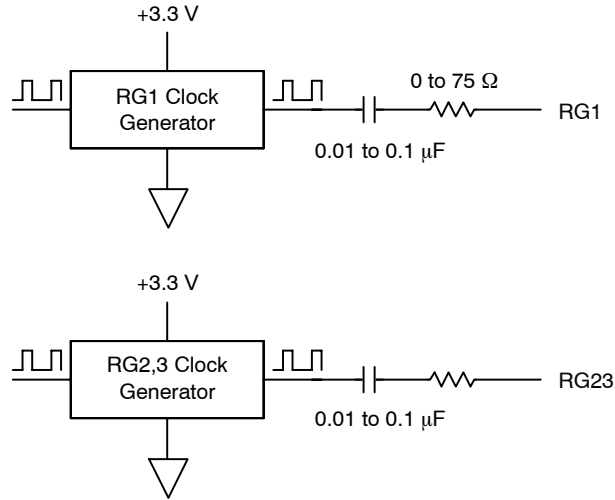


Figure 11. Reset Clock Drivers

The reset clock drivers must be coupled by capacitors to the image sensor. The capacitors can be anywhere in the range 0.01 to 0.1 μF. The damping resistor values would

vary between 0 and 75 Ω depending on the layout of the circuit board.

Table 12. VCCD

| Pin                                    | Function  | Low  | Nominal | High |
|--|---|------|---------|------|
| V1T, V1B, V2T, V2B, V3T, V3B, V4T, V4B | Vertical CCD Clock, Low Level                     | -8.0 | -8.0    | -6.0 |
| V1T, V1B, V2T, V2B, V3T, V3B, V4T, V4B | Vertical CCD Clock, Mid Level                     | -0.2 | 0.0     | +0.2 |
| V1T, V1B                               | Vertical CCD Clock, High (3 <sup>rd</sup> ) Level | 8.5  | 9.0     | 12.5 |

22. The Vertical CCD operating voltages. The VCCD low level will be -8.0 V for operating temperatures of -10°C and above. Below -10°C the VCCD low level should be increased for optimum noise performance.

Table 13. ELECTRONIC SHUTTER PULSE

| Pin | Function           | Low           | High         |
|-----|--------------------|---------------|--------------|
| SUB | Electronic Shutter | VSUBREF - 0.5 | VSUBREF + 28 |

**Device Identification**

The device identification pin (DevID) may be used to determine which ON Semiconductor 5.5 micron pixel interline CCD sensor is being used.

**Table 14. DEVICE IDENTIFICATION VALUES**

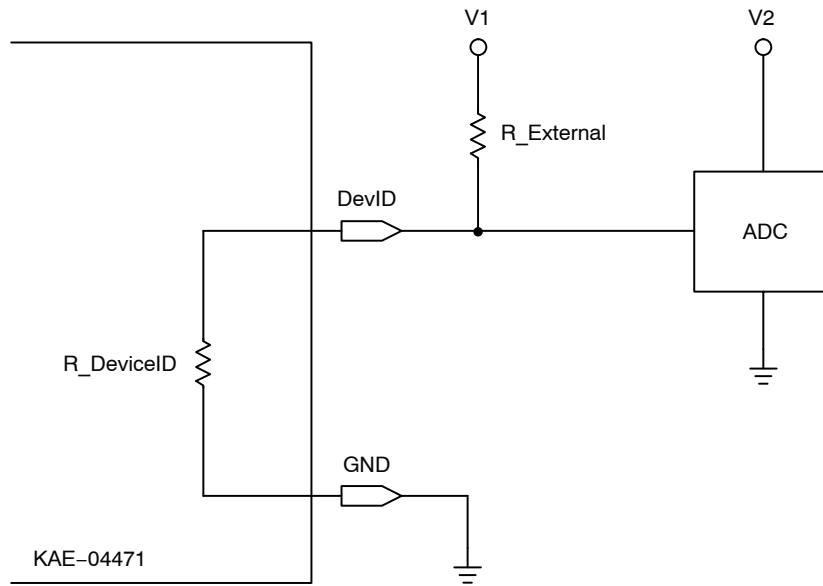
| Description                                 | Pins | Symbol | Min.   | Nom.   | Max.   | Unit | Maximum DC Current |
|---|------|--------|--------|--------|--------|------|--------------------|
| Device Identification (Notes 23, 24 and 25) | ID   | ID     | 63,000 | 70,000 | 84,000 | Ω    | 0.3 mA             |

23. Nominal value subject to verification and/or change during release of preliminary specifications.

24. If the Device Identification is not used, it may be left disconnected.

25. After Device Identification resistance has been read during camera initialization, it is recommended that the circuit be disabled to prevent localized heating of the sensor due to current flow through the R\_DeviceID resistor.

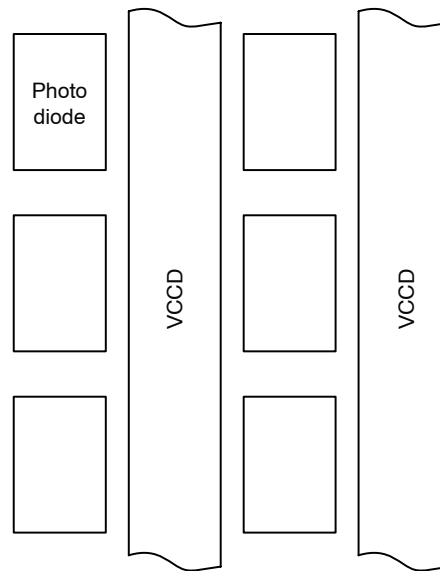
*Recommended Circuit*



**Figure 12. Device Identification Recommended Circuit**

## THEORY OF OPERATION

### Image Acquisition



**Figure 13. An Illustration of Two Columns and Three Rows of Pixels**

This image sensor is capable of detecting up to 40,000 electrons with a small signal noise floor of 1 electron all within one image. Each  $7.4\ \mu\text{m}$  square pixel, as shown in Figure 13 above, consists of a light sensitive photodiode and a portion of the vertical CCD (VCCD). Not shown is a microlens positioned above each photodiode to focus light away from the VCCD and into the photodiode. Each photon incident upon a pixel will generate an electron in the photodiode with a probability equal to the quantum efficiency.

The photodiode may be cleared of electrons (electronic shutter) by pulsing the SUB pin of the image sensor up to a voltage of 30 V to 40 V ( $V_{\text{SUBREF}} + 22$  to  $V_{\text{SUBREF}} + 28$  V) for a time of at least  $1\ \mu\text{s}$ . When the SUB pin is above 30 V, the photodiode can hold no electrons, and the electrons flow downward into the substrate. When the voltage on SUB drops below 30 V, the integration of electrons in the photodiode begins. The HCCD clocks should be stopped when the electronic shutter is pulsed, to avoid having the large voltage pulse on SUB coupling into the video outputs and altering the EMCCD gain.

It should be noted that there are certain conditions under which the device will have no anti-blooming protection: when the V1T and V1B pins are high, very intense illumination generating electrons in the photodiode will flood directly into the VCCD. When the electronic shutter pulse overlaps the V1T and V1B high-level pulse that transfers electrons from the photodiode to the VCCD, then photo-electrons will flow to the substrate and not the VCCD. This condition may be desirable as a means to obtain very short integration times.

The VCCD is shielded from light by metal to prevent detection of more photons. For very bright spots of light, some photons may leak through or around the metal light shield and result in electrons being transferred into the VCCD. This is called image smear.

### Image Readout

At the start of image readout, the voltage on the V1T and V1B pins is pulsed from 0 V up to the high level for at least  $1\ \mu\text{s}$  and back to 0 V, which transfers the electrons from the photodiodes into the VCCD. If the VCCD is not empty, then the electrons will be added to what is already in the VCCD. The VCCD is read out one row at a time. During a VCCD row transfer, the HCCD clocks are stopped. All gates of type H1 stop at the high level and all gates of type H2 stop at the low level. After a VCCD row transfer, charge packets of electrons are advanced one pixel at a time towards the output amplifiers by each complimentary clock cycle of the H1 and H2 gates.

The charge multiplier has a maximum charge handling capacity (after gain) of 20,000 electrons. This is not the average signal level. It is the maximum signal level. Therefore, it is advisable to keep the average signal level at 15,000 electrons or less to accommodate a normal distribution of signal levels. For a charge multiplier gain of 20x, no more than  $15,000/20 = 750$  electrons should be allowed to enter the charge multiplier. Overfilling the charge multiplier beyond 20,000 electrons will shorten its useful operating lifetime.

To prevent overfilling the charge multiplier, a non-destructive floating gate output amplifier (VOUT1) is

provided on each quadrant of the image sensor as shown in Figure 14 below.

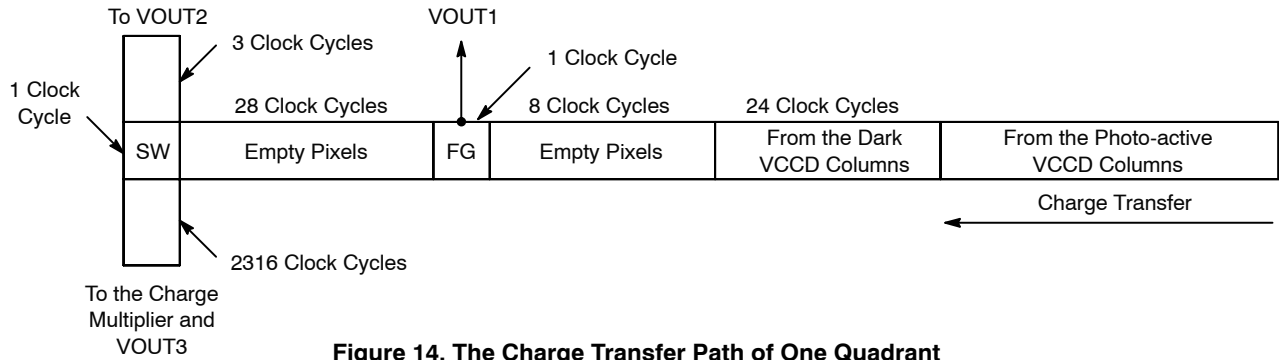
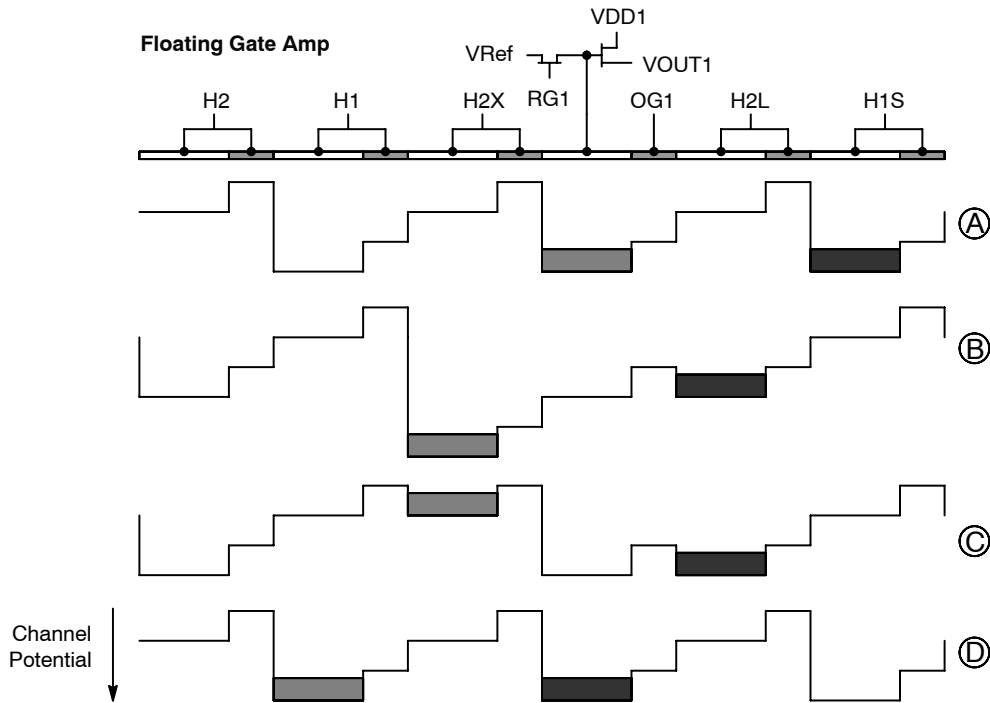


Figure 14. The Charge Transfer Path of One Quadrant

The non-destructive floating gate output amplifier is able to sense how much charge is present in a charge packet without altering the number of electrons in that charge packet. This type of amplifier has a low charge-to-voltage conversion gain (about  $7.8 \mu\text{V}/e^-$ ) and high noise (about 42 electrons), but it is being used only as a threshold detector, and not an imaging detector. Even with 42 electrons of noise, it is adequate to determine whether a charge packet is greater than or less than the recommended threshold of 120 electrons.

After one row has been transferred from the VCCD into the HCCD, the HCCD clock cycles should begin. After 8 clock cycles, the first dark VCCD column pixel will arrive at VOUT1. After another 24 (34 total) clock cycles, the first photo-active charge packet will arrive at VOUT1.

The transfer sequence of a charge packet through the floating gate amplifier is shown in Figure 15 below. The time steps of this sequence are labeled A through D, and are indicated in the timing diagram shown as Figure 16. The RG1 gate is pulsed high during the time that the H2X gate is pulsed high. This holds the floating gate at a constant voltage so the H2X gate can pull the charge packet out of the floating gate. The RG1 pulse should be at least as wide as the H2X pulse, and the H2X pulse width should be at least 12 ns. The rising edge of H2X relative to the falling edge of H1S is critical, specifically, the H2X pulse cannot begin its rising edge transition until the H1S edge is less than 0.4 V. If the H2X rising edge comes too soon then there may be some backward flow of charge for signals above 10,000 electrons.



NOTE: The differently shaded rectangles represent two separate charge packets. The direction of charge transfer is from right to left. Gates after H2X are connected to H1 or H2. Gates before H2X are connected to H1S or H2S.

Figure 15. Charge Package Transfer Sequence through the Floating Gate Amplifier



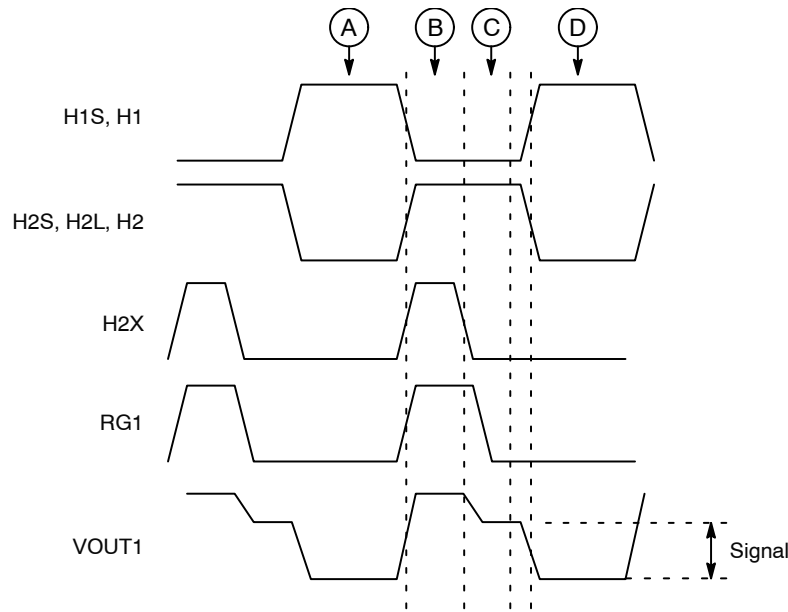


Figure 16. Timing Signals that Control the Transfer of Charge through the Floating Gate Amplifier

The charge packet is transferred under the floating gate on the falling edge of H2L. When this transfer takes place the floating gate is not connected to any voltage source. The presence of charge under the gate causes a change in voltage on the floating gate according to  $V = Q/C$ , where Q is the size of the charge packet and C is the capacitance of the floating gate. With an output sensitivity of  $7.8 \mu\text{V}/e^-$ , each electron on the floating gate would give a  $7.8 \mu\text{V}$  change in VOUT1 voltage. Therefore if the decision threshold is to only allow charge packets of 126 electrons or less into the charge multiplier, this would correspond to  $120 \times 7.8 = 936 \mu\text{V}$ . If the video output is less than  $936 \mu\text{V}$ , then the camera must set the timing of the H2SW2 and H2SW3 pins to route the charge packet to the charge multiplier. This action must take place 28 clock cycles after the charge packet was under the floating gate amplifier. The 28 clock cycle delay is to allow for pipeline delays of the A/D converter inside the analog front end. The timing generator must examine the output of the analog front end

and dynamically alter the timing on H2SW2 and H2SW3. To route a charge packet to the charge multiplier (VOUT3), H2SW2 is held at GND and H2SW3 is clocked with the same timing as H2 for that one clock cycle. To route a charge packet to the low gain output amplifier (VOUT2), H2SW3 is held at GND and H2SW2 is clocked with the same timing as H2S for that one clock cycle.

When operating the device at maximum (40 MHz) data rate, all the charge must be routed through the low gain amplifier (VOUT2). This is best accomplished with the floating gate reset (RG1) held at its high level while clocking the HCCD, and the H2X gate clocked with the same timing as H2S and H2B. During the line timing patterns L1 or L2, the RG1 gate should be clocked low. There is a diode on the sensor that sets the DC offset of the RG1 gate when it is clocked low. If the RG1 is not clocked low once per line then the RG1 DC offset will drift. This timing scheme is represented in the diagram shown below:

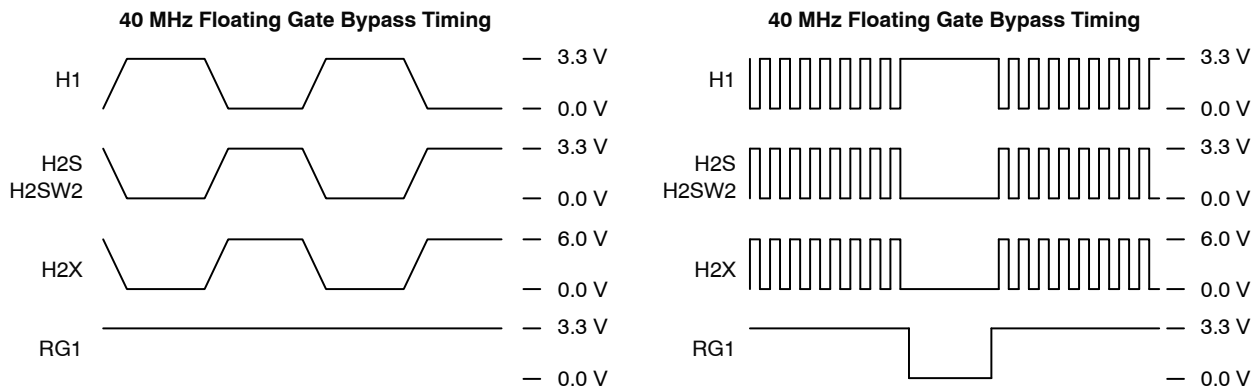


Figure 17. 40 MHz Floating Gate Bypass Timing

EMCCD OPERATION

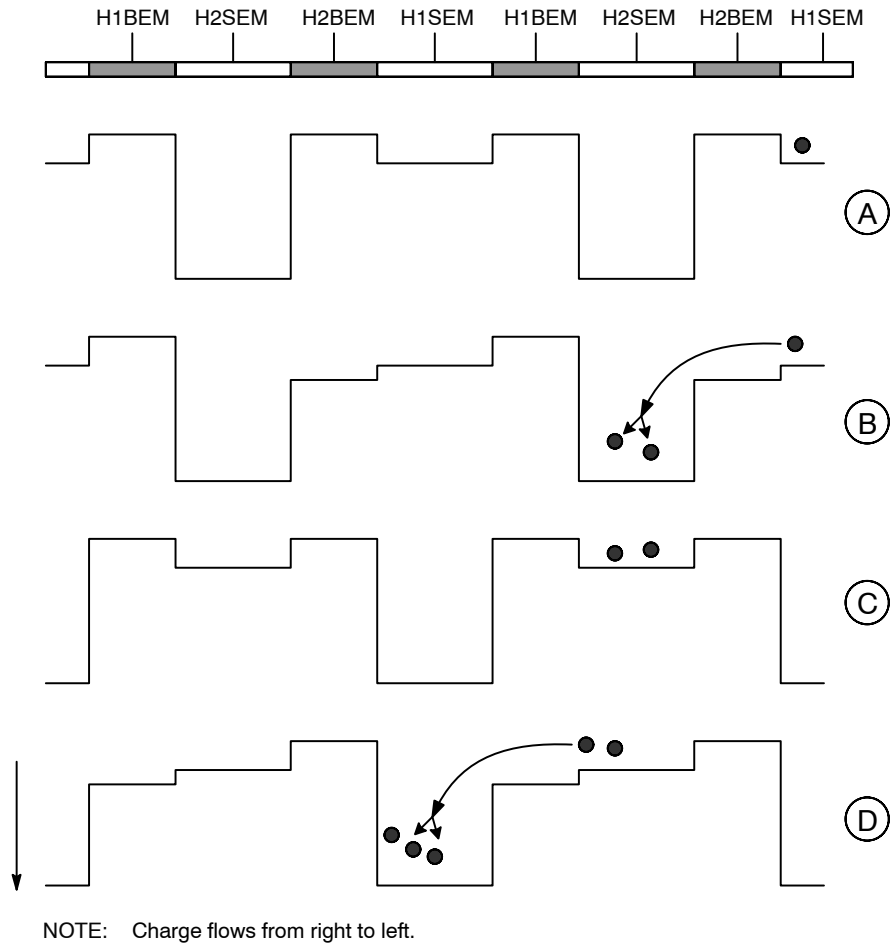


Figure 18. The Charge Multiplication Process

The charge multiplication process, shown in Figure 18 above, begins at time step A, when an electron is held under the H1SEM gate. The H2BEM and H1BEM gates block the electron from transferring to the next phase until the H2SEM has reached its maximum voltage. When the H2BEM is clocked from 0 to +5 V, the channel potential under H2BEM increases until the electron can transfer from H1SEM to H2SEM. When the H2SEM gate is above 10 V, the electric field between the H2BEM and H2SEM gates gives the electron enough energy to free a second electron which is collected under H2SEM. Then the voltages on H2BEM and

H2SEM are both returned to 0 V at the same time that H1SEM is ramped up to its maximum voltage. Now the process can repeat again with charge transferring into the H1SEM gate.

The alignment of clock edges is shown in Figure 19. The rising edge of the H1BEM and H2BEM gates must be delayed until the H1SEM or H2SEM gates have reached their maximum voltage. The falling edge of H1BEM and H2BEM must reach 0 V before the H1SEM or H2SEM reach 0 V. There are a total of 1,800 charge multiplying transfers through the EMCCD on each quadrant.

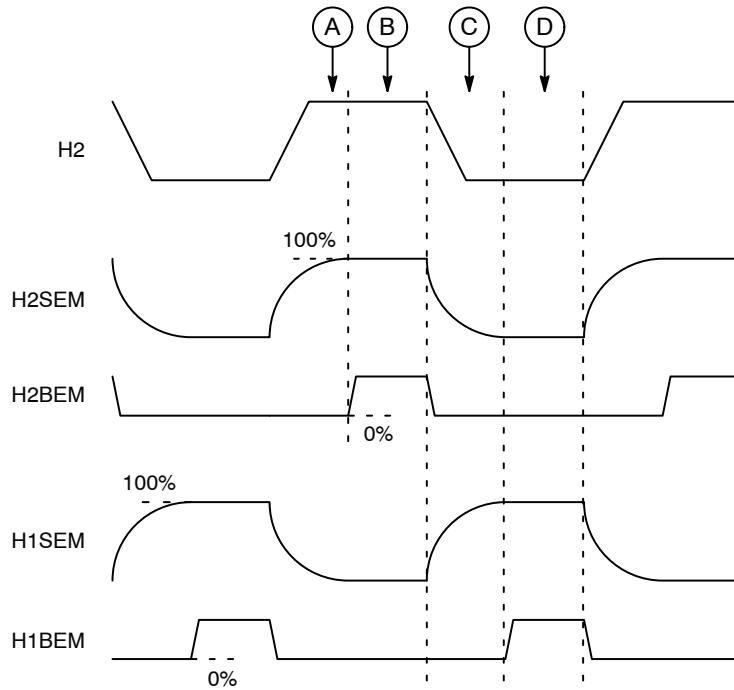
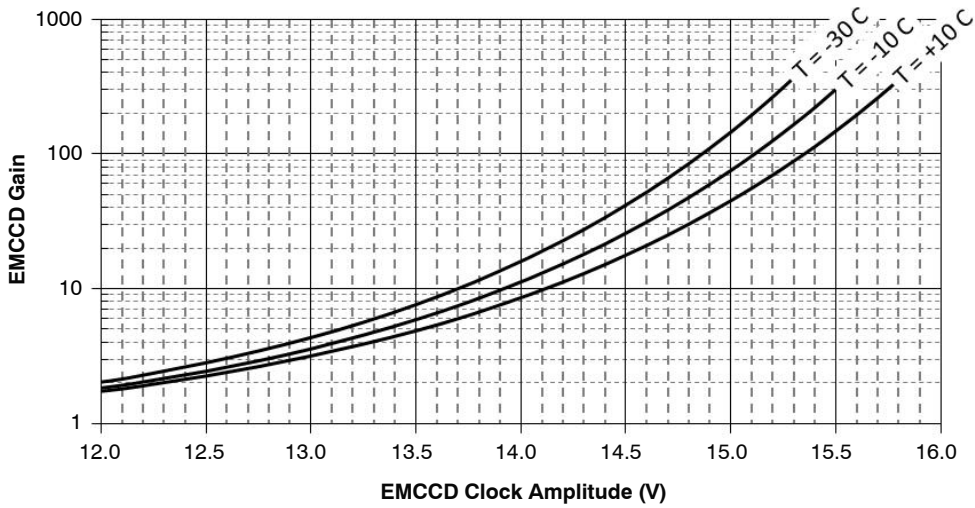


Figure 19. The Timing Diagram for Charge Multiplication

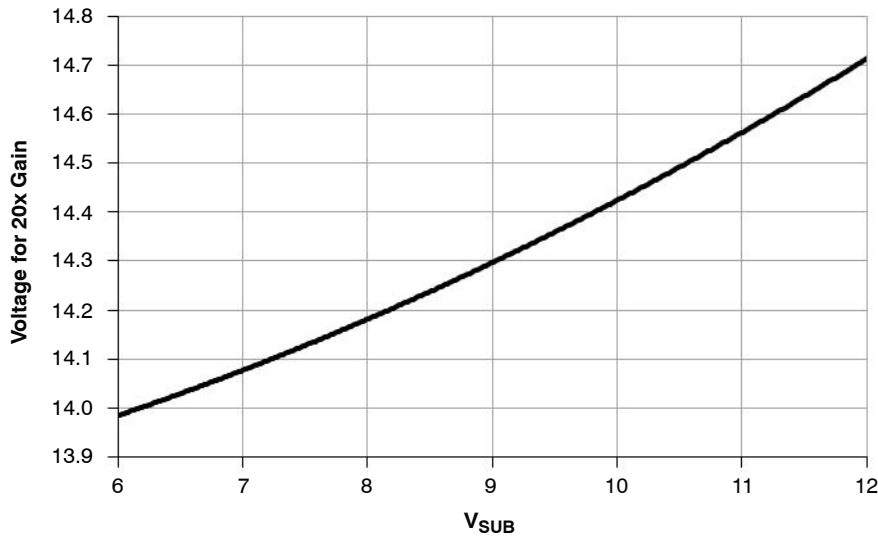
The amount of gain through the EMCCD will depend on temperature and H1SEM and H2SEM voltage as shown in

Figure 20. Gain also depends on substrate voltage, as shown in Figure 21, and on the input signal, as shown in Figure 22.



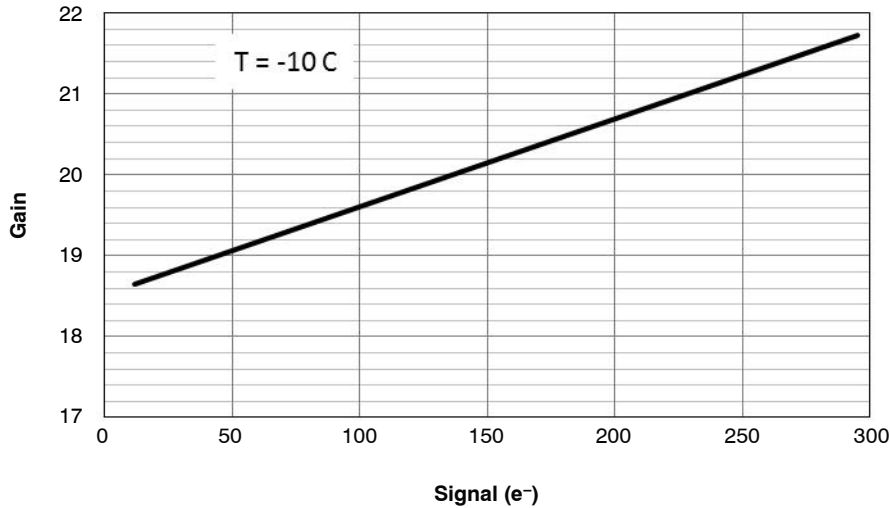
NOTE: This figure represents data from only one example image sensor, other image sensors will vary.

Figure 20. The Variation of Gain vs. EMCCD High Voltage and Temperature



NOTE: EMCCD gain is not constant with substrate voltage.

Figure 21. The Requirement EMCCD Voltage for Gain of 20x vs. Substrate Voltage



NOTE: The EMCCD voltage was set to provide 20x gain with an input of 180 electrons.

Figure 22. EMCCD Gain vs. Input Signal

If more than one output is used, then the EMCCD high level voltage must be independently adjusted for each quadrant. This is because each quadrant will require a slightly different voltage to obtain the same gain. In addition, the voltage required for a given gain differs

unpredictably from one image sensor to the next, as in Figure 23. Because of this, the gain vs. voltage relationship must be calibrated for each image sensor, although within each quadrant, the H1SEM and H2SEM high level voltage should be equal.

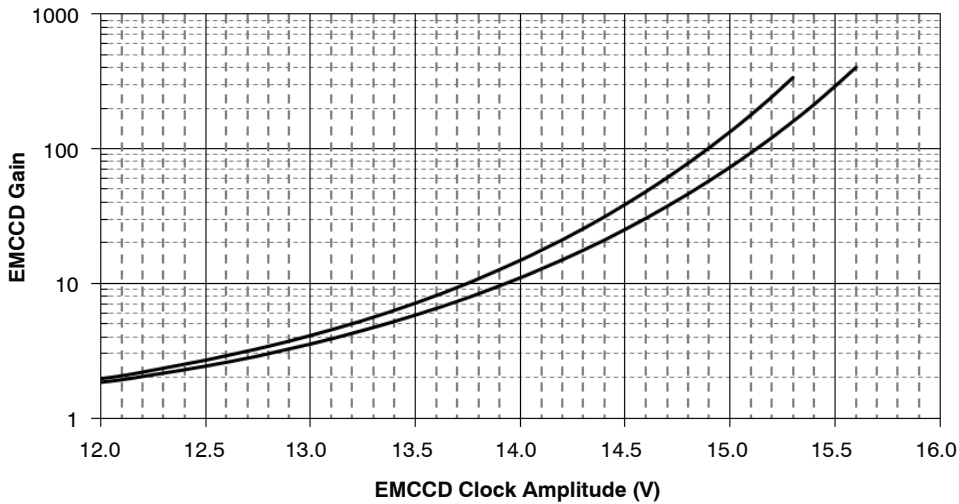
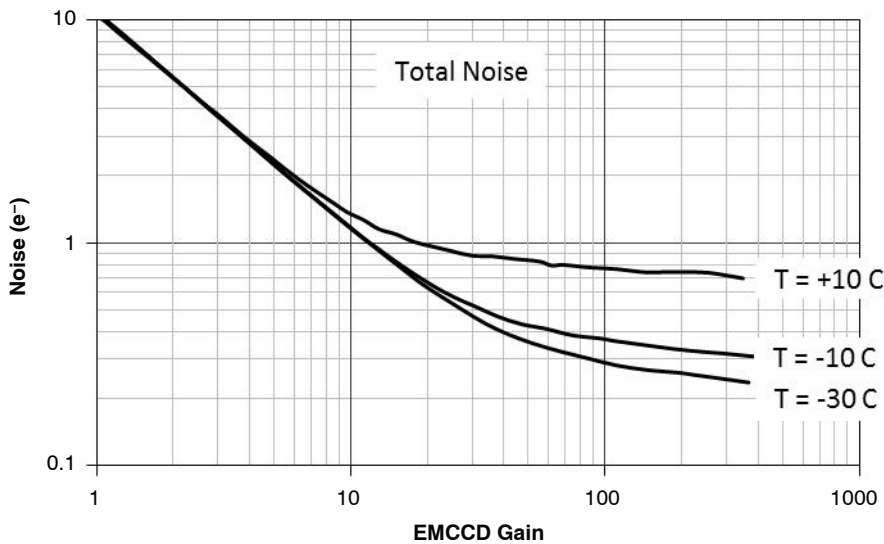


Figure 23. An Example Showing How Two Image Sensors Can Have Different Gain vs. Voltage Curves

The effective output noise of the image sensor is defined as the noise of the output signal divided by the gain. This is measured with zero input signal to the EMCCD. Figure 24 shows the EMCCD by itself has a very low noise that goes as the noise at gain = 1 divided by the gain. The EMCCD has very little clock-induced charge and does not require

elaborate sinusoidal waveform clock drivers. Simple square wave clock drivers with a resistor between the driver and sensor for a small RC time constant are all that is needed. However, the pixel array may acquire spurious charge as a function of VCCD clock driver characteristics.



NOTE: The data represented by this chart includes noise from dark current and spurious charge generation.

Figure 24. EMCCD Output Noise vs. EMCCD Gain in Single Output Mode from -30°C to +10°C

Because of these pixel array noise sources, it is recommended that the maximum gain used be 100x, which typically gives a noise floor between 0.4e and 0.6e at -10°C. Using higher gains will provide limited benefit and will degrade the signal to noise ratio due to the EMCCD excess noise factor and spurious charge in the VCCD. Furthermore, the image sensor is not limited by dark current noise sources when the temperature is below -10°C. Therefore, cooling below -10°C will not provide a significant improvement to the noise floor, with the negative consequence that lower

temperatures increase the probability of poor charge transfer.

**CAUTION:** The EMCCD should not be operated near saturation for an extended period, as this may result in gain aging and permanently reduce the gain. It should be noted that device degradation associated with gain aging is not covered under the device warranty.

### Operating Temperature

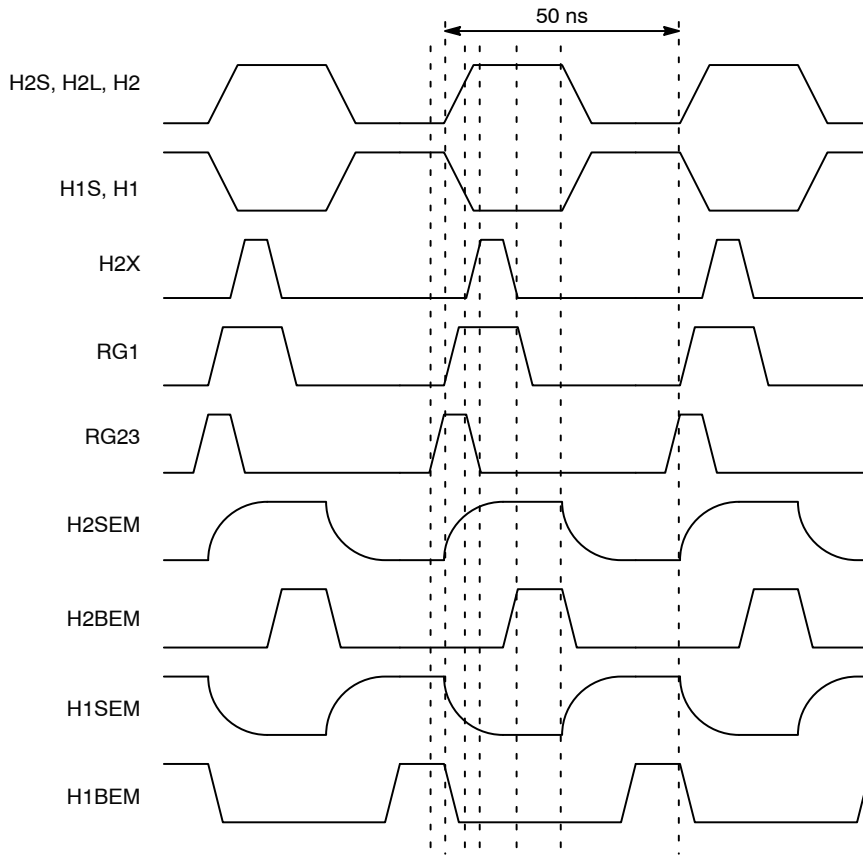
The reasons for lowering the operating temperature are to reduce dark current noise and to reduce image defects. The average dark signal from the VCCD and photodiodes must be less than  $1e^-$  in order to have a total system noise less than  $1e^-$  when using the EMCCD. The recommended operating temperature is  $-10^{\circ}\text{C}$ . This represents the best compromise of low noise performance vs. complexity of cooling the image sensor. Operation below  $-30^{\circ}\text{C}$  is not recommended, and temperatures below  $-30^{\circ}\text{C}$  may result in poor charge transfer in the HCCD. Operation above  $0^{\circ}\text{C}$  may result in excessive dark current noise.

### Charge Switch Threshold

The floating gate output amplifier (VOUT1) is used to select the routing of a pixel charge packet at the charge switch. Pixels with large signals should be routed to the normal floating diffusion amplifier at VOUT2. Pixels with small signals should be routed to the EMCCD and VOUT3. The routing of pixels is controlled by the timing on H2SW2 and H2SW3. The optimum signal threshold for that transition between VOUT2 and VOUT3 is approximately 3 times the floating gate amplifier noise, or  $126 e^-$ . Sending signals larger than  $126 e^-$  into the EMCCD will produce images with lower signal to noise ratio than if they were read out of the normal floating diffusion output of VOUT2.

**TIMING DIAGRAMS**

**Pixel Timing**



NOTE: The minimum time for one pixel is 50 ns.

**Figure 25. Pixel Timing Pattern P1**

**Black, Clamp, VOUT1, VOUT2, and VOUT3**

**Alignment at Line Start**

The black level clamping operation of the analog front end (AFE) should take place within the first 28 clock cycles of every row. This applies to all modes of operation.

**VCCD Timing**

*Vertical Transfer Times and Pulse Widths*

**Table 15. TIMING DEFINITIONS**

| Symbol           | Definition                       | Min | Nominal | Max  | Unit |
|------------------|----------------------------------|-----|---------|------|------|
| T <sub>VA</sub>  | VCCD Transfer Time A             | 1.2 | 1.2     | 2.0  | μs   |
| T <sub>VB</sub>  | VCCD Transfer Time B             | 1.2 | 1.2     | 4.0  | μs   |
| T <sub>SUB</sub> | Electronic Shutter Pulse         | 2.0 | 2.5     | 10.0 | μs   |
| T <sub>3</sub>   | Photodiode to VCCD Transfer Time | 3.0 | 3.0     | 5.0  | μs   |

Clock Edge Alignments for V1, V2, V3, V4

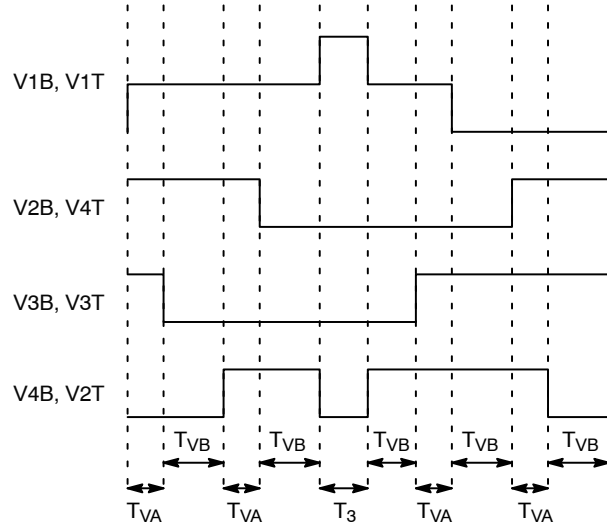


Figure 26. Timing Pattern F1. VCCD Frame Timing to Transfer Charge from Photodiodes to the VCCD when Using the Bottom HCCD Outputs A or B

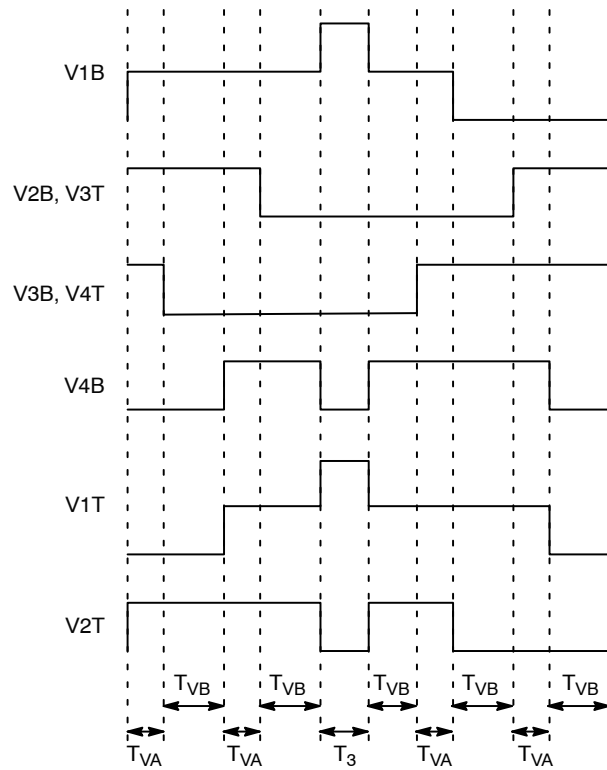


Figure 27. Timing Pattern F2. VCCD Frame Timing to Transfer Charge from Photodiodes to the VCCD when Using All Four Outputs in Quad Output Mode



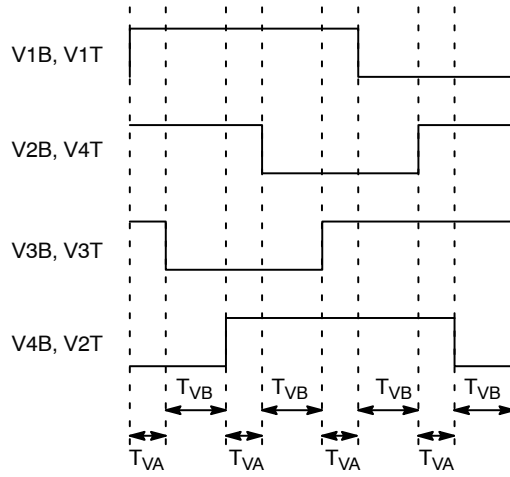


Figure 28. Line Timing L1. VCCD Line Timing to Transfer One Line of Charge from VCCD to the HCCD when Using the Bottom HCCD Outputs A or B in Single or Dual Output Modes

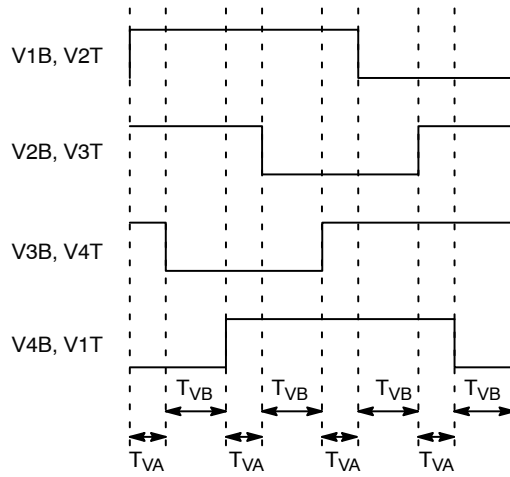


Figure 29. Line Timing L2. VCCD Line Timing to Transfer One Line of Charge from the VCCD to the HCCD when Using All Four Outputs in Quad Output Mode

Electronic Shutter

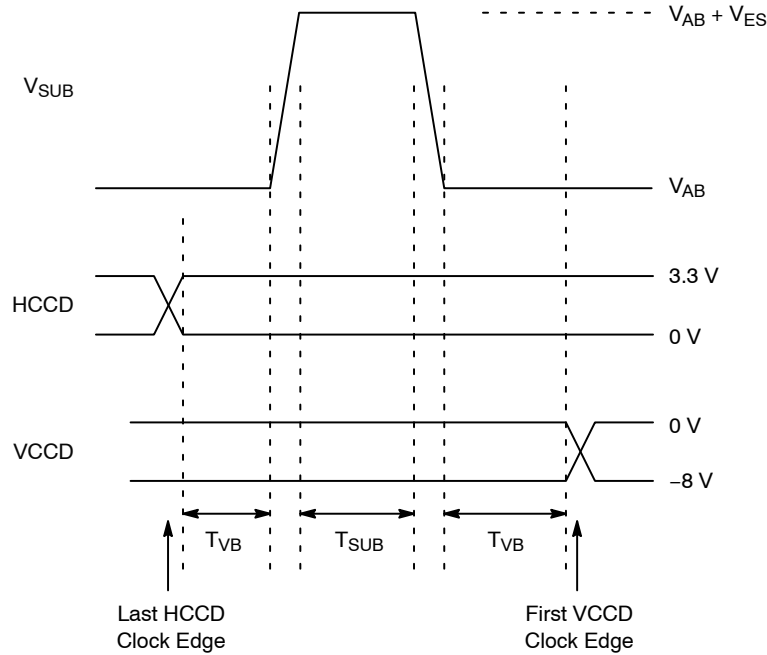


Figure 30. Electronic Shutter Timing Pattern S1

**CAUTION:** The EMCCD register must not be clocked while the electronic shutter pulse is high.

HCCD and EMCCD Clocks for Electronics Shutter

The HCCD and EMCCD clocks must be static during the frame, line, and electronic shutter timing sequences.

Table 16. HCCD AND EMCCD CLOCKS FOR ELECTRONICS SHUTTER

| Clocks                                | State |
|---------------------------------------|-------|
| H1S, H1, H1SEM, H1BEM                 | High  |
| H2S, H2, H2SW, H2L, H2X, H2SEM, H2BEM | Low   |

HCCD Timing

To reverse the direction of charge transfer in a Horizontal CCD, the timing patterns of the H1B and H2B inputs of that

HCCD are exchanged. If a HCCD is not used, all of its gates are to be held at the high level.

Table 17. HCCD TIMING

| Mode   | HCCD a, b Timing                                       | HCCD c, d Timing                                       |
|--------|--|--|
| Single | H1Ba = H2Bb = H1Sa = H1Sb<br>H2Ba = H1Bb = H2Sa = H2Sb | 3.3 V  |
| Dual   | H1Ba = H1Bb = H1Sa = H1Sb<br>H2Ba = H2Bb = H2Sa = H2Sb | 3.3 V  |
| Quad   | H1Ba = H1Bb = H1Sa = H1Sb<br>H2Ba = H2Bb = H2Sa = H2Sb | H1Bc = H1Bd = H1Sc = H1Sd<br>H2Bc = H2Bd = H2Sc = H2Sd |

Table 18. FRAME RATES

| Single | Dual (Left/Right) | Dual (Top/Bottom) | Quad | Unit |
|--------|-------------------|-------------------|------|------|
| 3.7    | 6.9               | 7.4               | 13.8 | fps  |

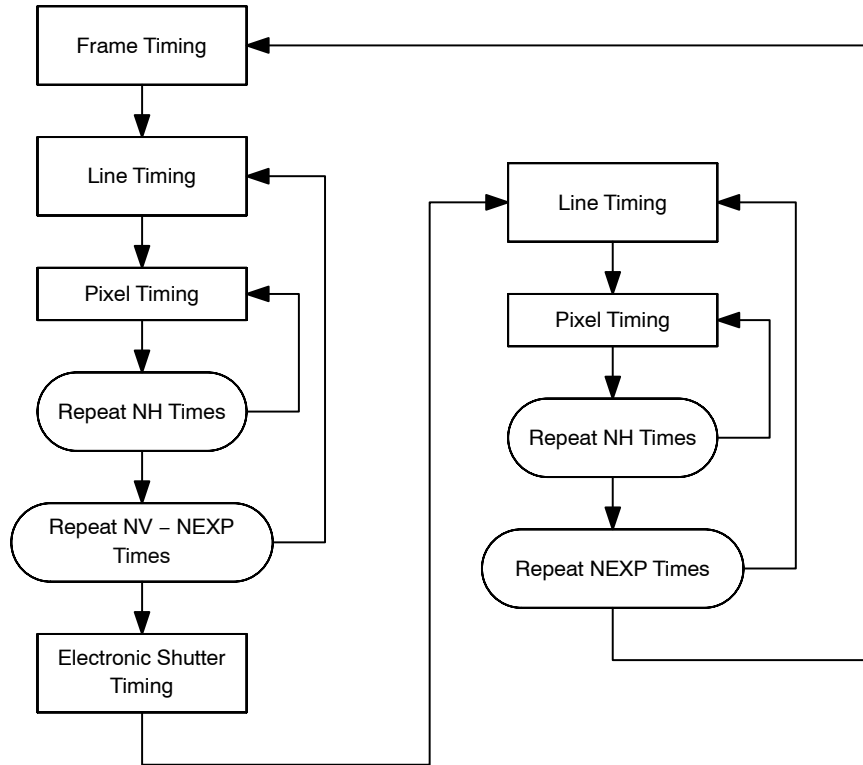
**Image Exposure and Readout**

The flowchart for image exposure and readout is shown in the figure below. The electronic shutter timing may be

omitted to obtain an exposure time equal to the image read out time. NEXP is the number of lines exposure time and NV is the number of VCCD clock cycles (row transfers).

**Table 19. IMAGE READOUT TIMING**

| Mode              | NH   | NV   | Line Timing | Frame Timing |
|-------------------|------|------|-------------|--------------|
| Single            | 2316 | 2144 | L1          | F1           |
| Dual (Left/Right) | 1158 | 2144 | L1          | F1           |
| Dual (Top/Bottom) | 2316 | 1072 | L2          | F2           |
| Quad              | 1158 | 1072 | L2          | F2           |

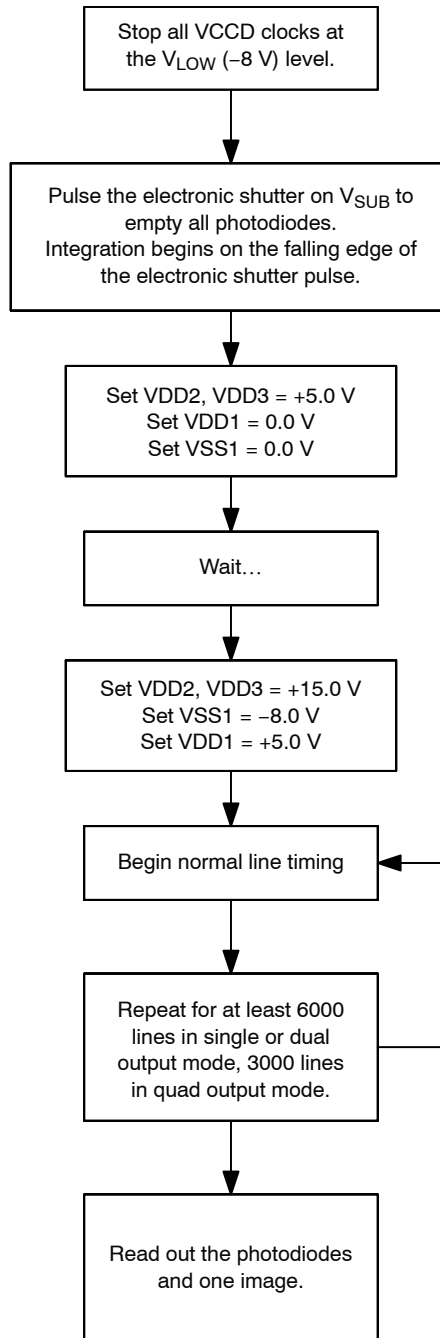


**Figure 31. The Image Readout Timing Flow Chart**

**Long Integrations and Readout**

For extended integrations the output amplifiers need to be powered down. When powered up, the output amplifiers

emit near infrared light that is sensed by the photodiodes. It will begin to be visible in images of 30 second integrations or longer.



**Figure 32. Timing Flow Chart for Long Integration Time**

To power down the output amplifiers set VDD1 and VSS1 to 0 V, and VDD2(a,b,c,d) and VDD3(a,b,c,d) to +5 V. VDD2 or VDD3 must not be set to 0 V during the integration of an image. During the time the VDD2 and VDD3 supplies are reduced to +5 V the VDD15 pin is to be kept at +15 V. The substrate voltage reference output SUBV will be valid

as long as VDD15 is powered. The HCCD and EMCCD may continue to clock during integration. If they are stopped during integration then the EMCCD should be re-started at +7 V amplitude to flush out any undesired signal before increasing the voltage to charge multiplying levels.

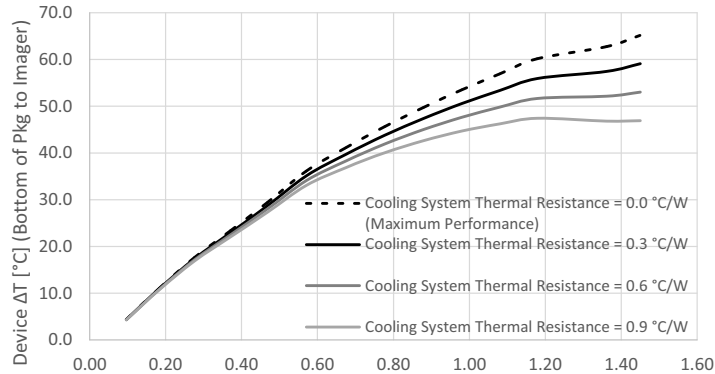
**THERMOELECTRIC COOLER**

Representative performance plots for the TEC are shown below:

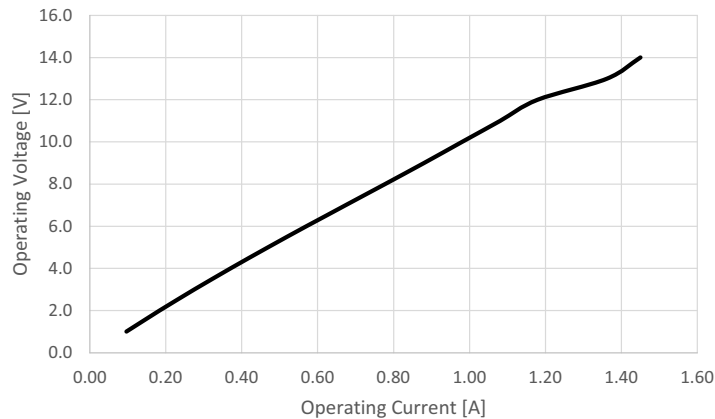
**Performance Plots of Integrated TECs**

For the performance plots below, the thermoelectric cooler (TEC) was in a dry package cavity, sealed under nitrogen. The ambient temperature was 27°C. The TEC controller was operated in DC mode (maximum pulse width

of a PWM controller) to maintain the cold side (sensor side) temperature at 0°C, while the input signal to the EMCCD registers was 20 mV, the EMCCD gains were set to 20X, and the horizontal clock rate was 20 MHz. For these conditions, the recommended maximum input current ( $I_{max}$ ) is 1.1 A, requiring an input voltage ( $V_{max}$ ) of 11.2 V. Lower cold side temperatures may have different optimum operating conditions.

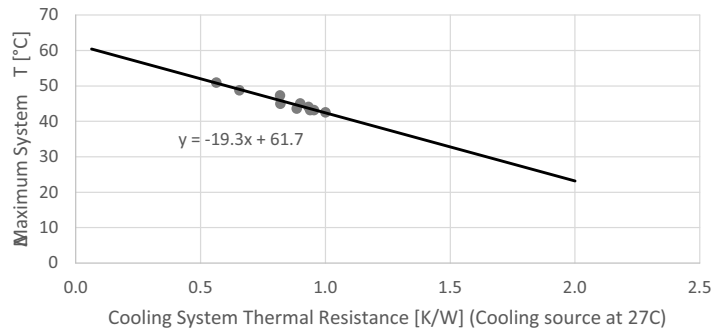


**Figure 33.  $\Delta T$  and Voltage vs. Current**



**Figure 34.**

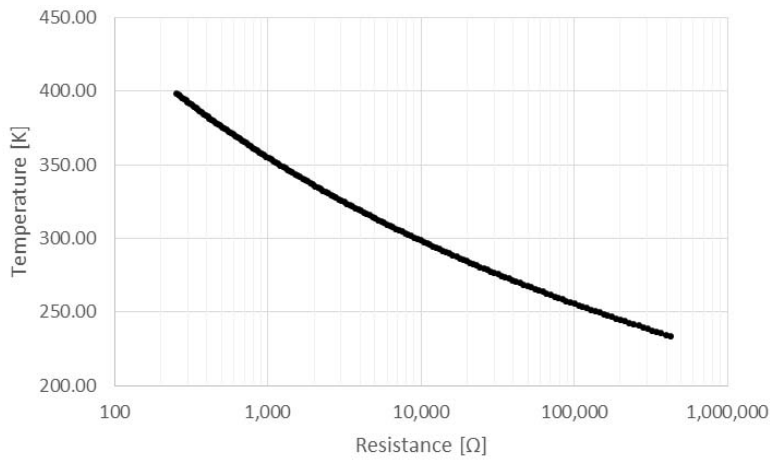
The plot shown below separately shows the dependence of cooling performance ( $\Delta T$ ) on the thermal resistance of the cooling system.



**Figure 35. Maximum ΔT vs. Cooling System Thermal Resistance**

The thermoelectric cooler has an on-board thermistor. The current model has ± 3% tolerance and 10 kΩ (R<sub>0</sub>) at 25°C (298°K, T<sub>0</sub>). Its performance is shown in the plot

below and follows the equation, where T = temperature in °K, over the range of 233°K to 398°K, and R<sub>T</sub> = thermistor resistance in Ohms.



**Figure 36. Thermistor Resistance vs. Temperature**

$$T = \frac{1}{\{(1.311E - 3) + (2.138E - 4) * \ln(R_T) + (9.43E - 8) * (\ln(R_T))^3\}}$$

## STORAGE AND HANDLING

Table 20. STORAGE CONDITIONS

| Description           | Symbol          | Minimum | Maximum | Unit |
|-----------------------|-----------------|---------|---------|------|
| Temperature (Note 26) | T <sub>ST</sub> | -55     | 80      | °C   |
| Humidity (Note 27)    | RH              | 5       | 90      | %    |

26. Long-term exposure toward the maximum temperature will accelerate color filter degradation.

27. T = 25°C. Excessive humidity will degrade Mean Time to Failure (MTTF.)

For information on ESD and cover glass care and cleanliness, please download the *Image Sensor Handling and Best Practices* Application Note (AN52561/D) from [www.onsemi.com](http://www.onsemi.com).

For information on soldering recommendations, please download the *Soldering and Mounting Techniques Reference Manual (SOLDERRM/D)* from [www.onsemi.com](http://www.onsemi.com).

For quality and reliability information, please download the *Quality & Reliability Handbook (HBD851/D)* from [www.onsemi.com](http://www.onsemi.com).

For information on device numbering and ordering codes, please download the *Device Nomenclature* technical note (TND310/D) from [www.onsemi.com](http://www.onsemi.com).

For information on Standard terms and Conditions of Sale, please download [Terms and Conditions](http://www.onsemi.com) from [www.onsemi.com](http://www.onsemi.com).

MECHANICAL INFORMATION

PGA Completed Assembly (no TEC)

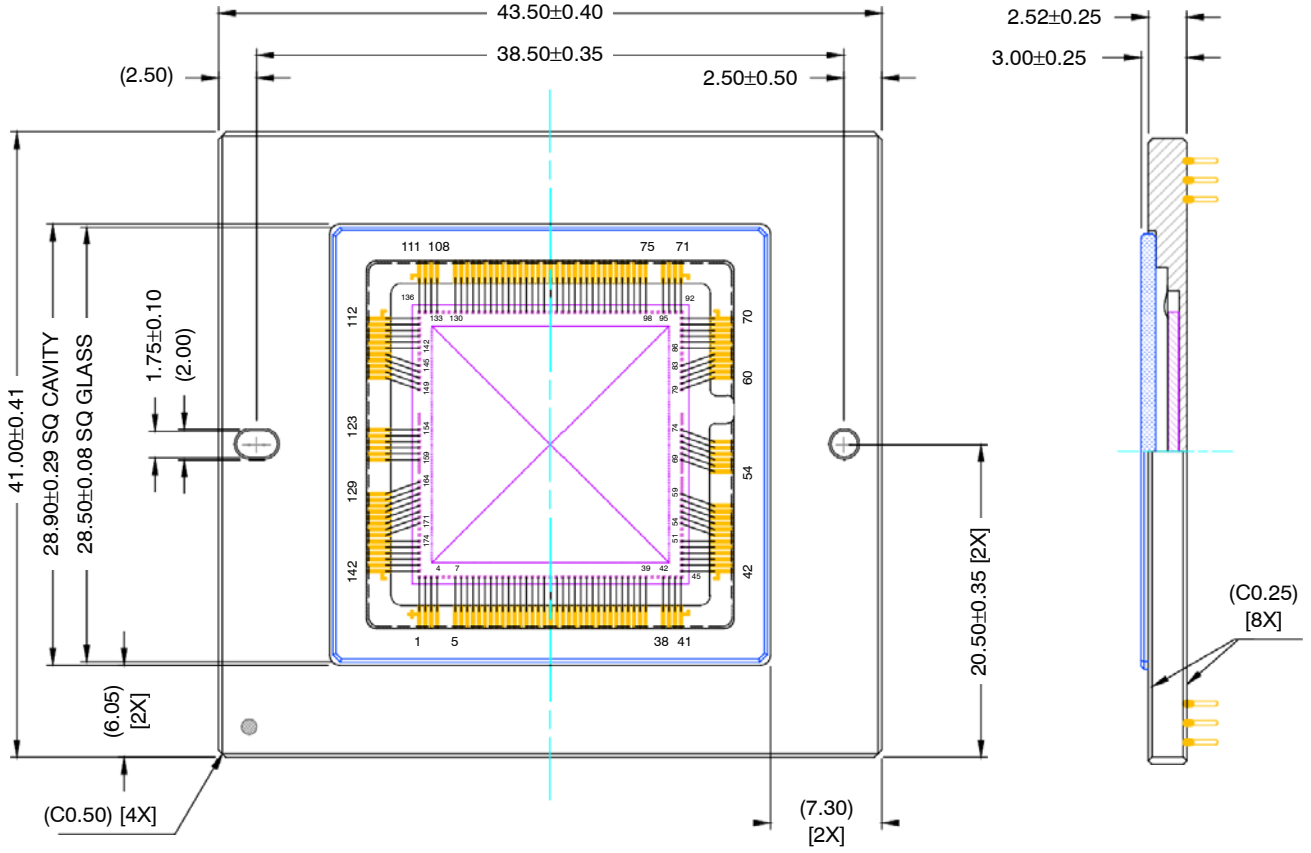


Figure 37. Completed Assembly (1 of 3)



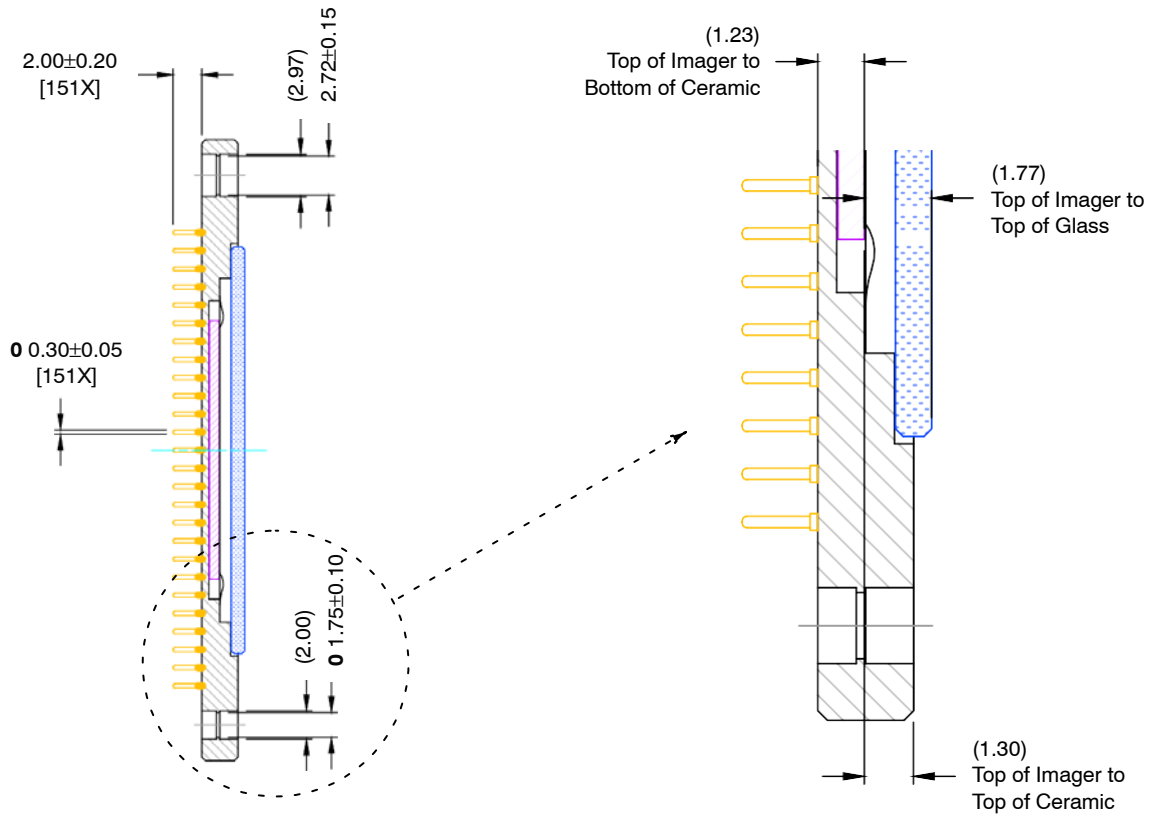
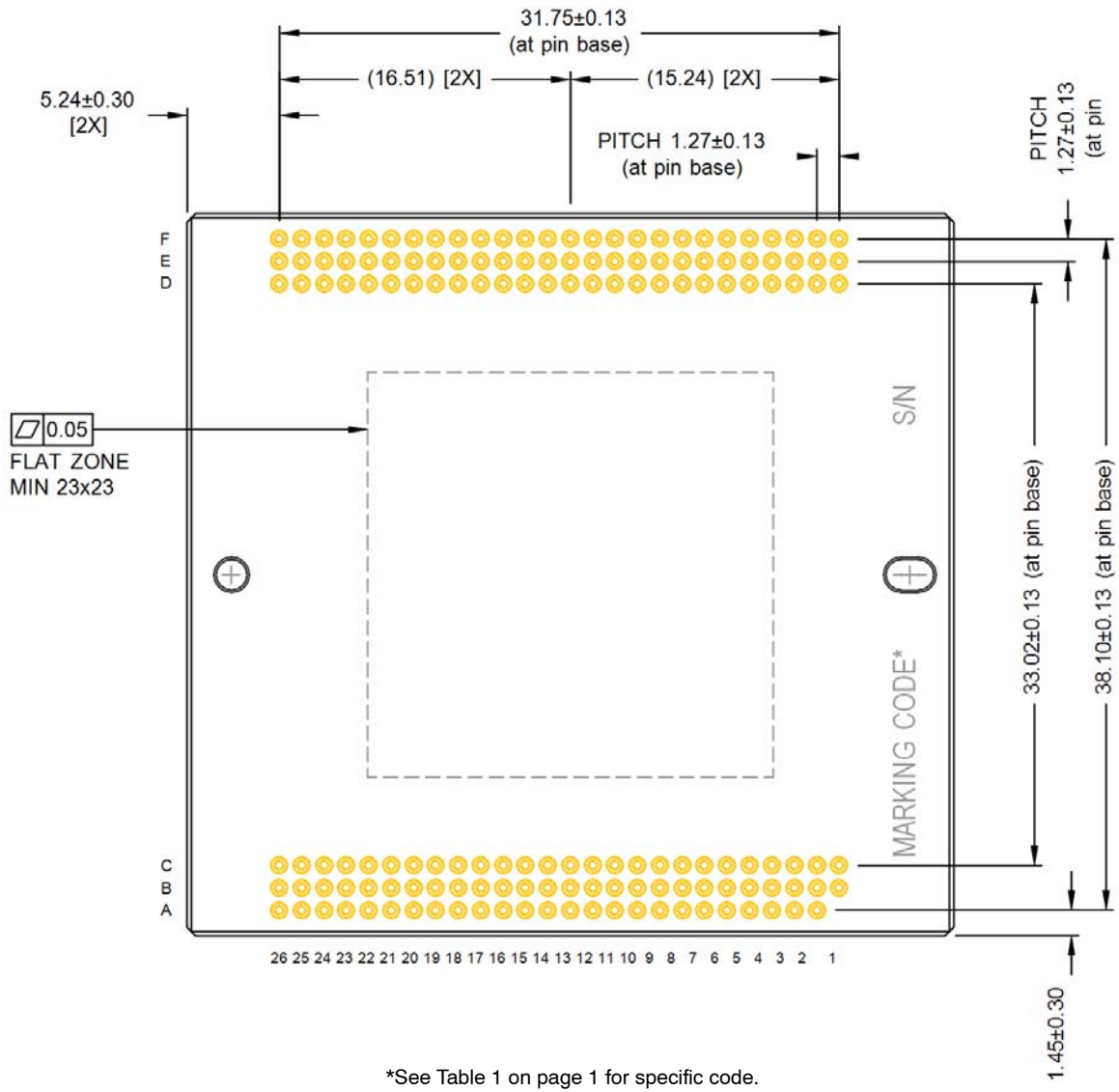


Figure 38. Completed Assembly (2 of 3)

KAE-04471



\*See Table 1 on page 1 for specific code.

Figure 39. Completed Assembly (3 of 3)

PGA Completed Assembly with Integrated TEC

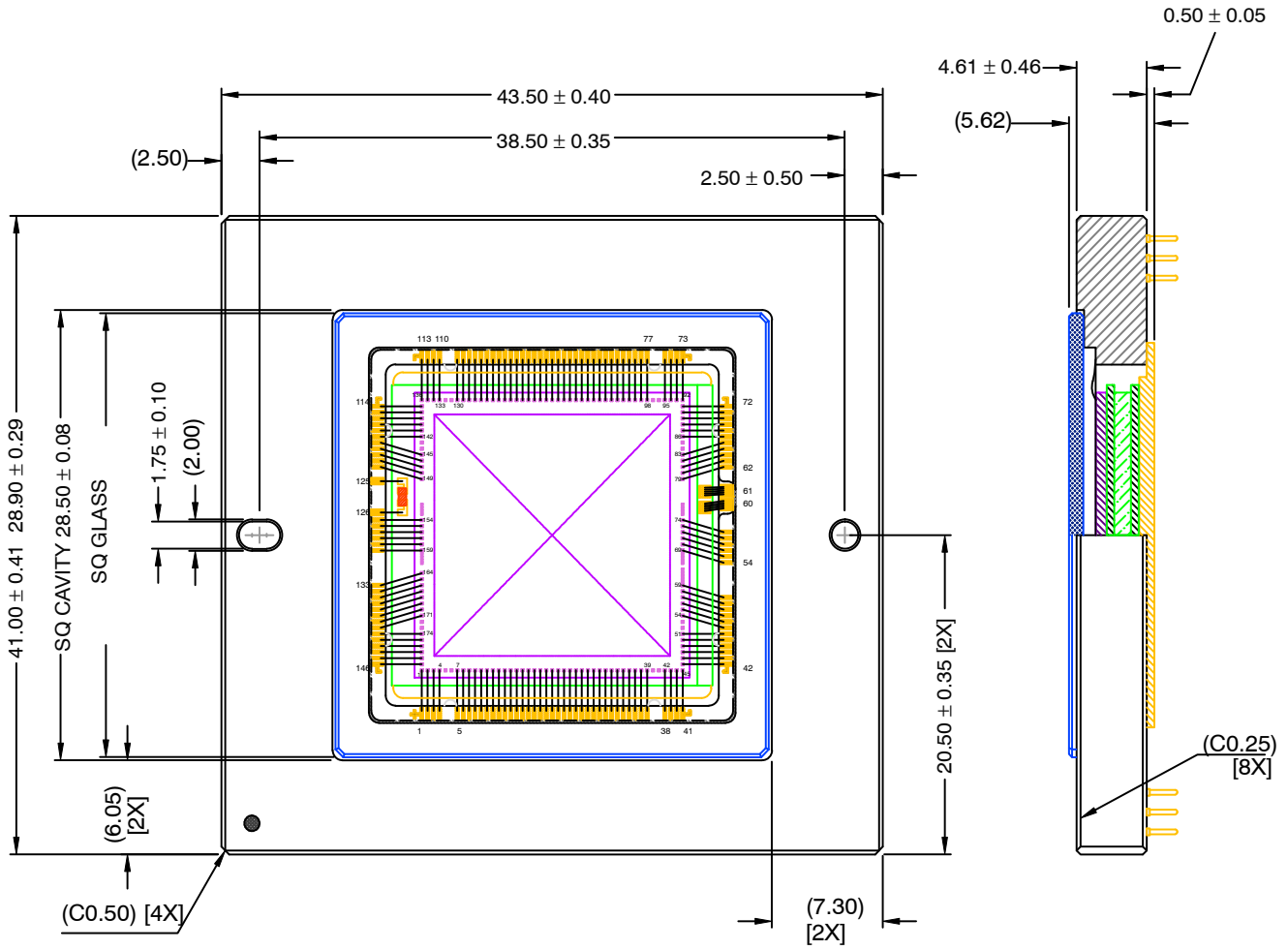


Figure 40. PGA Completed Assembly with Integrated TEC (1 of 4)

KAE-04471

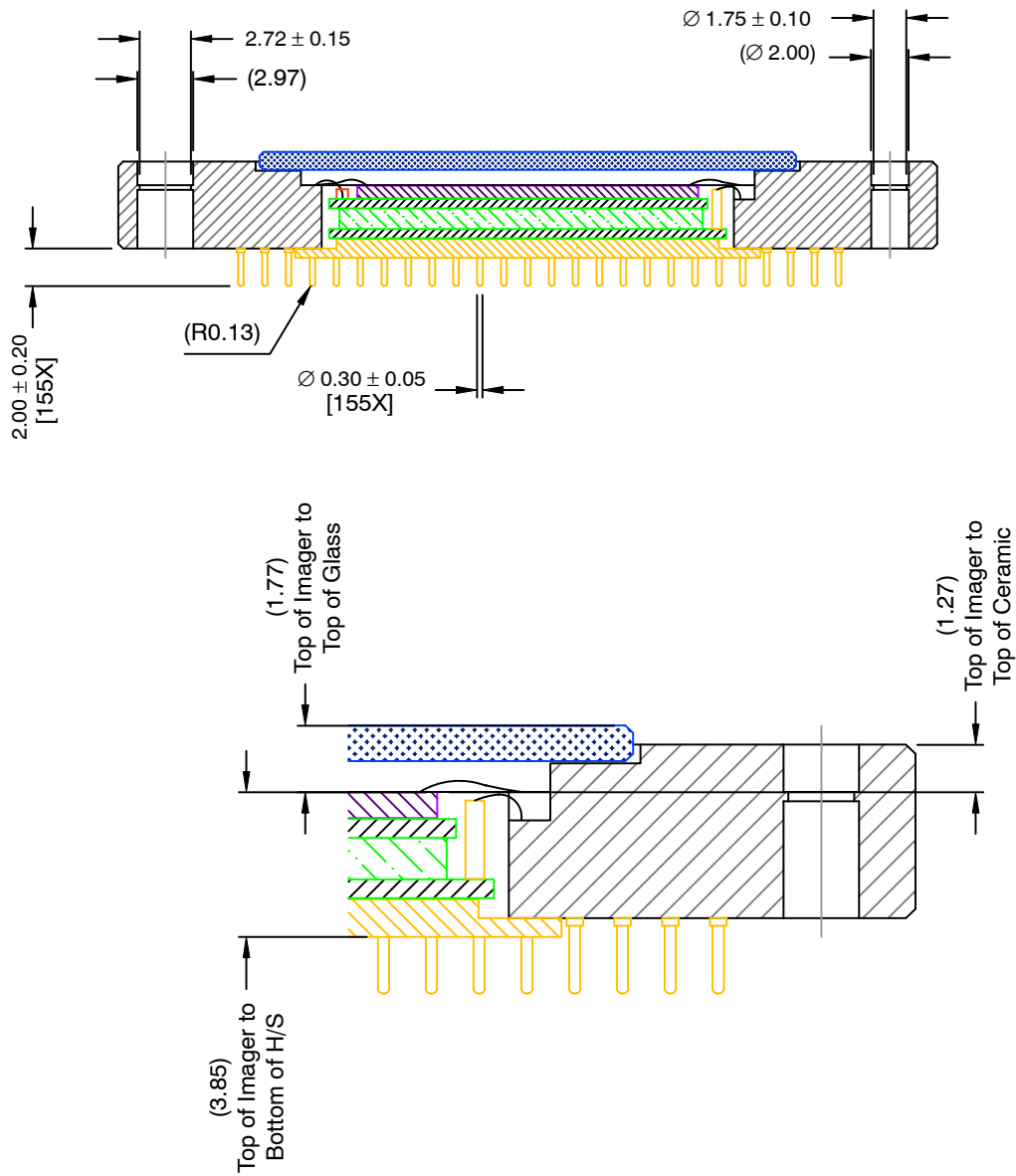


Figure 41. PGA Completed Assembly with Integrated TEC (2 of 4)

KAE-04471

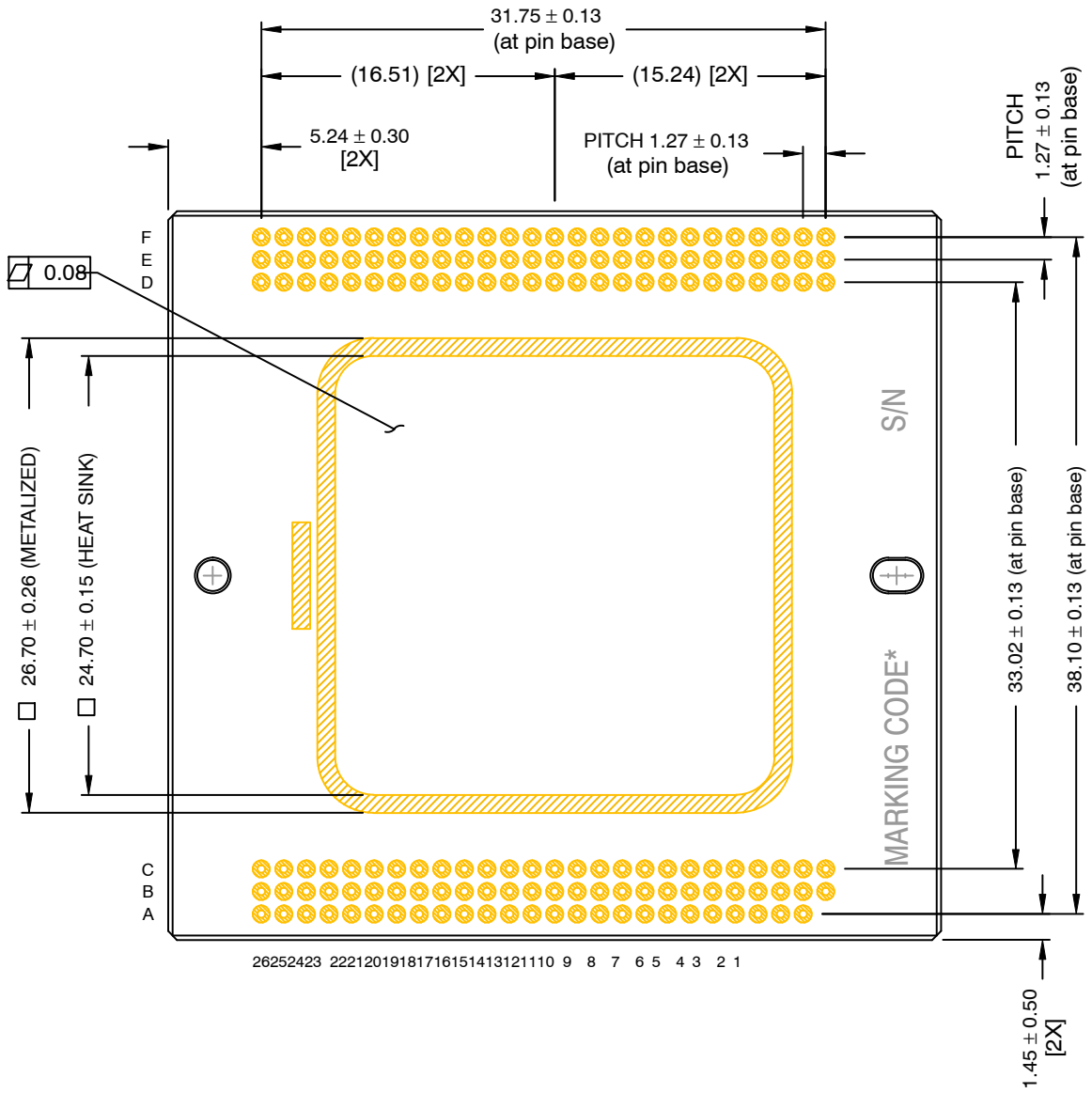


Figure 42. PGA Completed Assembly with Integrated TEC (3 of 4)

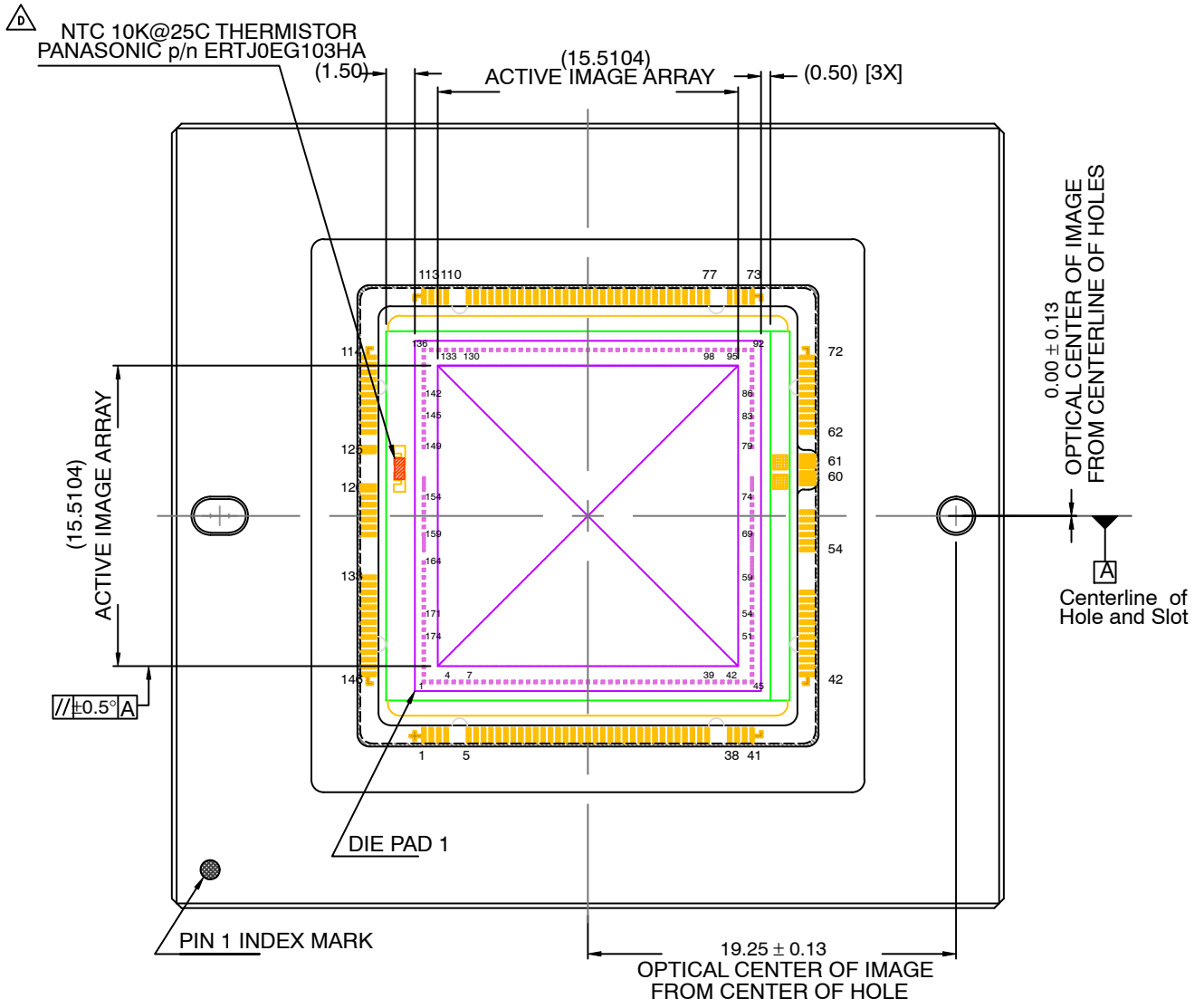
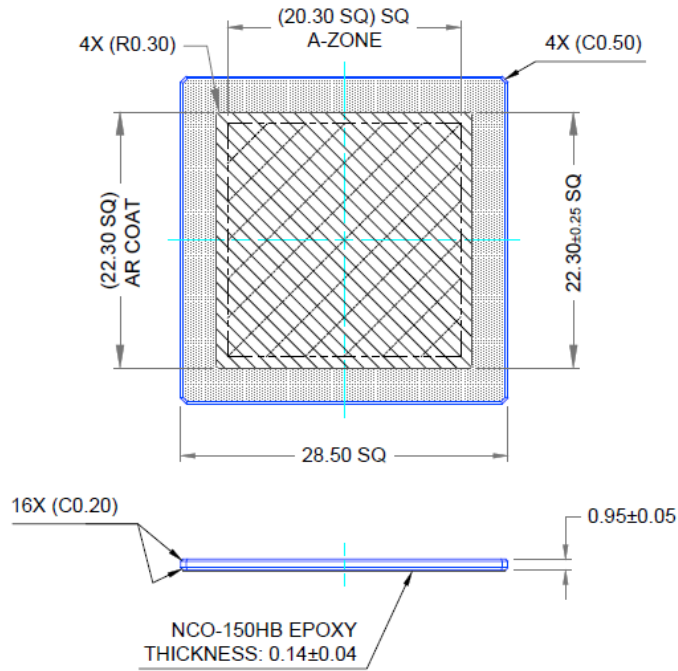


Figure 43. PGA Completed Assembly with Integrated TEC (4 of 4)

Clear Cover Glass for PGA with Integrated TEC



NOTES:

1. Dust, Scratch, Inclusion Defect Max: 10  $\mu\text{m}$  (A-Zone)
2. Glass Material is Schott D263T eco
3. Anti-reflection Coatings on both Sides of Substrate to meet the following Minimum Transmission Specifications:
 

|             |      |       |
|-------------|------|-------|
| 365 nm      | Tab  | > 50% |
| 400-900 nm  | Tab  | > 97% |
| 900-1100 nm | Tab  | > 85% |
| 900-1100 nm | Tave | > 88% |
4. Epoxy is B-staged Form (Ref. KSD-248-0109, Spec KSD-241-0009)
5. All Contamination Outside the A-Zone must be Removable with N2 at 40 PSI
6. Edge Chips: X  $\leq$  0.50 mm, Y  $\leq$  0.50 mm, Z  $\leq$  0.48 mm

Figure 44. MAR Cover Glass for PGA with Integrated TEC

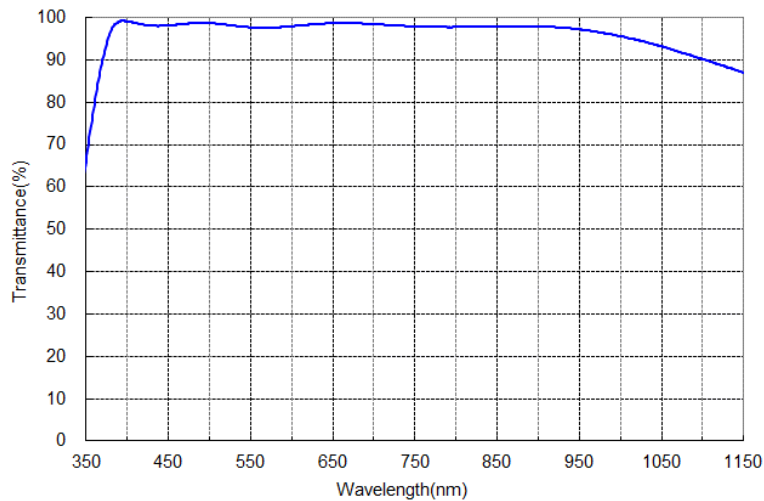


Figure 45. MAR Cover Glass Transmission

ON Semiconductor and  are trademarks of Semiconductor Components Industries, LLC dba ON Semiconductor or its subsidiaries in the United States and/or other countries. ON Semiconductor owns the rights to a number of patents, trademarks, copyrights, trade secrets, and other intellectual property. A listing of ON Semiconductor's product/patent coverage may be accessed at [www.onsemi.com/site/pdf/Patent-Marking.pdf](http://www.onsemi.com/site/pdf/Patent-Marking.pdf). ON Semiconductor reserves the right to make changes without further notice to any products herein. ON Semiconductor makes no warranty, representation or guarantee regarding the suitability of its products for any particular purpose, nor does ON Semiconductor assume any liability arising out of the application or use of any product or circuit, and specifically disclaims any and all liability, including without limitation special, consequential or incidental damages. Buyer is responsible for its products and applications using ON Semiconductor products, including compliance with all laws, regulations and safety requirements or standards, regardless of any support or applications information provided by ON Semiconductor. "Typical" parameters which may be provided in ON Semiconductor data sheets and/or specifications can and do vary in different applications and actual performance may vary over time. All operating parameters, including "Typicals" must be validated for each customer application by customer's technical experts. ON Semiconductor does not convey any license under its patent rights nor the rights of others. ON Semiconductor products are not designed, intended, or authorized for use as a critical component in life support systems or any FDA Class 3 medical devices or medical devices with a same or similar classification in a foreign jurisdiction or any devices intended for implantation in the human body. Should Buyer purchase or use ON Semiconductor products for any such unintended or unauthorized application, Buyer shall indemnify and hold ON Semiconductor and its officers, employees, subsidiaries, affiliates, and distributors harmless against all claims, costs, damages, and expenses, and reasonable attorney fees arising out of, directly or indirectly, any claim of personal injury or death associated with such unintended or unauthorized use, even if such claim alleges that ON Semiconductor was negligent regarding the design or manufacture of the part. ON Semiconductor is an Equal Opportunity/Affirmative Action Employer. This literature is subject to all applicable copyright laws and is not for resale in any manner.

**PUBLICATION ORDERING INFORMATION**

**LITERATURE FULFILLMENT:**

Literature Distribution Center for ON Semiconductor  
19521 E. 32nd Pkwy, Aurora, Colorado 80011 USA  
**Phone:** 303-675-2175 or 800-344-3860 Toll Free USA/Canada  
**Fax:** 303-675-2176 or 800-344-3867 Toll Free USA/Canada  
**Email:** [orderlit@onsemi.com](mailto:orderlit@onsemi.com)

**N. American Technical Support:** 800-282-9855 Toll Free  
USA/Canada  
**Europe, Middle East and Africa Technical Support:**  
Phone: 421 33 790 2910

**ON Semiconductor Website:** [www.onsemi.com](http://www.onsemi.com)  
**Order Literature:** <http://www.onsemi.com/orderlit>

For additional information, please contact your local Sales Representative