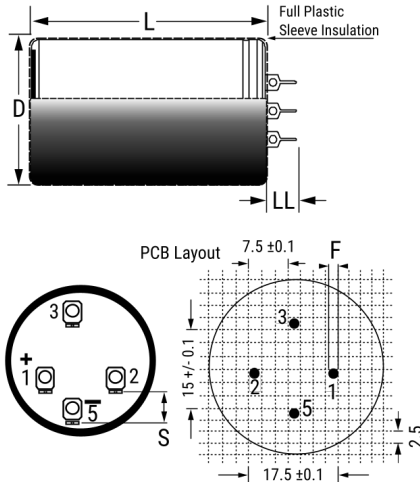


ALP20A472CB040

Aliases (A621EG472Q040AV538)

Not for New Design

ALP20, Aluminum Electrolytic, 4,700 uF, -10/+30%, 40 VDC, -40/+85°C



Click [here](#) for the 3D model.

Dimensions	
D	35mm +/-1mm
L	45mm +/-2mm
S	7.5mm +/-0.1mm
LL	7.5mm +/-0.5mm
F	1.3mm

Packaging Specifications	
Sleeving	Yes
Packaging	Bulk, Bag

General Information	
Series	ALP20
Dielectric	Aluminum Electrolytic
Description	Solder Pin, Aluminum Electrolytic
Features	Solder Pin
RoHS	Yes
Lead	4 Pin Solder
AEC-Q200	No
Component Weight	65 g
Notes	Dimensions D And L Include Sleeving.
Shelf Life	156 Weeks

Specifications	
Capacitance	4,700 uF
Capacitance Tolerance	-10/+30%
Voltage DC	40 VDC, 46 VDC (Surge)
Temperature Range	-40/+85°C
Rated Temperature	85°C
Life	18000 Hrs
Leakage Current	1128 uA (5min 20°C)