

74CBTLVD3244

8-bit level-shifting bus switch with 4-bit output enables

Rev. 3 — 5 April 2019

Product data sheet

1. General description

The 74CBTLVD3244 is a dual 4-pole, single-throw bus switch. The device features two output enable inputs ($n\overline{OE}$) that each control four switch channels. The switches are disabled when the associated $n\overline{OE}$ input is HIGH. Schmitt trigger action at control inputs makes the circuit tolerant of slower input rise and fall times. This device is fully specified for partial power-down applications using I_{OFF} . The I_{OFF} circuitry disables the output, preventing the damaging backflow current through the device when it is powered down.

2. Features and benefits

- Supply voltage range from 3.0 V to 3.6 V
- High noise immunity
- Complies with JEDEC standard:
 - JESD8-B/JESD36 (3.0 V to 3.6 V)
- ESD protection:
 - HBM JESD22-A114F exceeds 2000 V
 - CDM AEC-Q100-011 revision B exceeds 1000 V
- 5 Ω switch connection between two ports
- Rail to rail switching on data I/O ports
- CMOS low power consumption
- Latch-up performance exceeds 250 mA per JESD78B Class I level A
- I_{OFF} circuitry provides partial Power-down mode operation
- Multiple package options
- Specified from -40 °C to +85 °C and -40 °C to +125 °C

3. Ordering information

Table 1. Ordering information

Type number	Package			
	Temperature range	Name	Description	Version
74CBTLVD3244PW	-40 °C to +125 °C	TSSOP20	plastic thin shrink small outline package; 20 leads; body width 4.4 mm	SOT360-1
74CBTLVD3244BQ	-40 °C to +125 °C	DHVQFN20	plastic dual-in-line compatible thermal enhanced very thin quad flat package; no leads; 20 terminals; body 2.5 × 4.5 × 0.85 mm	SOT764-1

4. Functional diagram

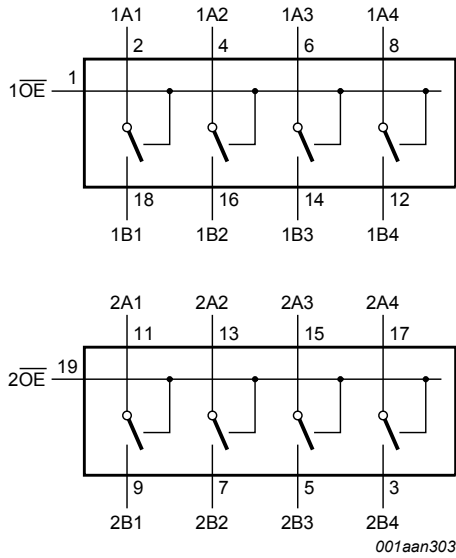


Fig. 1. Logic symbol

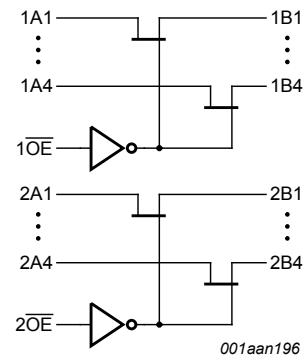


Fig. 2. Logic diagram

5. Pinning information

5.1. Pinning

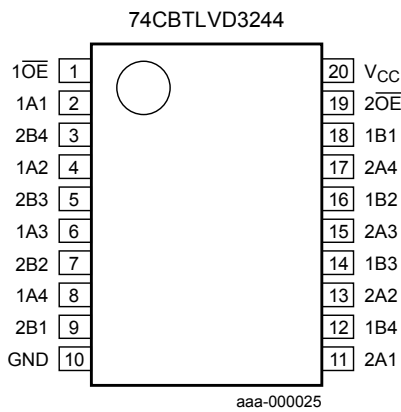
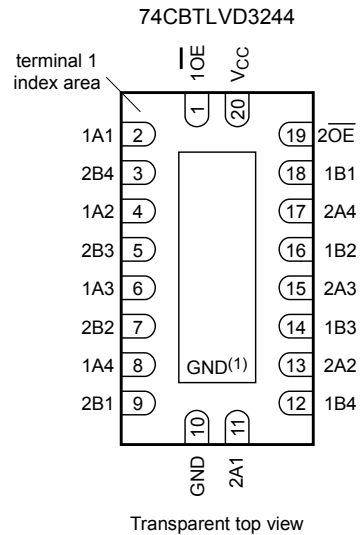


Fig. 3. Pin configuration SOT360-1 (TSSOP20)



(1) This is not a supply pin, the substrate is attached to this pad using conductive die attach material. There is no electrical or mechanical requirement to solder this pad. However if it is soldered the solder land should remain floating or be connected to GND.

Fig. 4. Pin configuration SOT764-1 (DHVQFN20)

5.2. Pin description

Table 2. Pin description

Symbol	Pin	Description
$1\overline{OE}$, $2\overline{OE}$	1, 19	output enable input (active LOW)
1A1 to 1A4	2, 4, 6, 8	data input/output (A port)
2B1 to 2B4	9, 7, 5, 3	data input/output (B port)
GND	10	ground (0 V)
2A1 to 2A4	11, 13, 15, 17	data input/output (A port)
1B1 to 1B4	18, 16, 14, 12	data input/output (B port)
V_{CC}	20	positive supply voltage

6. Functional description

Table 3. Function selection

H = HIGH voltage level; L = LOW voltage level; Z = high-impedance OFF-state.

Input	Input/output
$n\overline{OE}$	nAn, nBn
L	nAn = nBn
H	Z

7. Limiting values

Table 4. Limiting values

In accordance with the Absolute Maximum Rating System (IEC 60134). Voltages are referenced to GND (ground = 0 V).

Symbol	Parameter	Conditions	Min	Max	Unit
V_{CC}	supply voltage		-0.5	+4.6	V
V_I	input voltage		[1] -0.5	+4.6	V
V_{SW}	switch voltage	enable and disable mode	[1] -0.5	$V_{CC} + 0.5$	V
I_{IK}	input clamping current	$V_{IO} < -0.5$ V	-50	-	mA
I_{SK}	switch clamping current	$V_I < -0.5$ V	-50	-	mA
I_{SW}	switch current	$V_{SW} = 0$ V to V_{CC}	-	±128	mA
I_{CC}	supply current		-	+100	mA
I_{GND}	ground current		-100	-	mA
T_{stg}	storage temperature		-65	+150	°C
P_{tot}	total power dissipation	$T_{amb} = -40$ °C to +125 °C	[2] -	500	mW

[1] The minimum input and output voltage ratings may be exceeded if the input and output current ratings are observed.

[2] For TSSOP20 packages: above 60 °C the value of P_{tot} derates linearly at 5.5 mW/K.
For DHVQFN20 packages: above 60 °C the value of P_{tot} derates linearly at 4.5 mW/K.

8. Recommended operating conditions

Table 5. Recommended operating conditions

Symbol	Parameter	Conditions	Min	Max	Unit
V_{CC}	supply voltage		3.0	3.6	V
V_I	input voltage		0	3.6	V
V_{SW}	switch voltage	enable and disable mode	0	V_{CC}	V
T_{amb}	ambient temperature		-40	+125	°C
$\Delta t/\Delta V$	input transition rise and fall rate	$V_{CC} = 3.0\text{ V to }3.6\text{ V}$ [1]	0	200	ns/V

[1] Applies to control signal levels.

9. Static characteristics

Table 6. Static characteristics

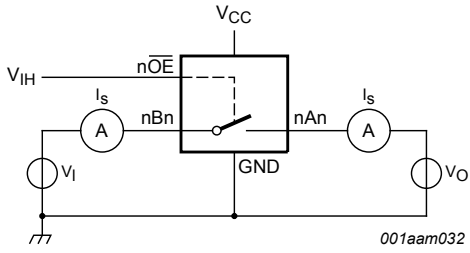
At recommended operating conditions voltages are referenced to GND (ground = 0 V).

Symbol	Parameter	Conditions	$T_{amb} = -40\text{ °C to }+85\text{ °C}$			$T_{amb} = -40\text{ °C to }+125\text{ °C}$		Unit
			Min	Typ [1]	Max	Min	Max	
V_{IH}	HIGH-level input voltage	$V_{CC} = 3.0\text{ V to }3.6\text{ V}$	2.0	-	-	2.0	-	V
V_{IL}	LOW-level input voltage	$V_{CC} = 3.0\text{ V to }3.6\text{ V}$	-	-	0.9	-	0.9	V
I_I	input leakage current	pin $n\overline{OE}$; $V_I = \text{GND to }V_{CC}$; $V_{CC} = 3.6\text{ V}$	-	-	± 1	-	± 20	μA
V_{pass}	pass voltage	$V_I = V_{CC}$; see Fig. 7 to Fig. 11	-	-	-	-	-	V
$I_{S(OFF)}$	OFF-state leakage current	$V_{CC} = 3.6\text{ V}$; see Fig. 5	-	-	± 1	-	± 20	μA
$I_{S(ON)}$	ON-state leakage current	$V_{CC} = 3.6\text{ V}$; see Fig. 6	-	-	± 1	-	± 20	μA
I_{OFF}	power-off leakage current	V_I or $V_O = 0\text{ V to }3.6\text{ V}$; $V_{CC} = 0\text{ V}$	-	-	± 10	-	± 50	μA
I_{CC}	supply current	$V_I = V_{CC}$; $I_O = 0\text{ A}$; $V_{CC} = 3.6\text{ V}$; $V_{SW} = \text{GND or }V_{CC}$	-	-	20	-	50	μA
		$V_I = \text{GND}$; $I_O = 0\text{ A}$; $V_{CC} = 3.6\text{ V}$; $V_{SW} = \text{GND or }V_{CC}$	-	-	100	-	150	μA
ΔI_{CC}	additional supply current	pin $n\overline{OE}$; $V_I = V_{CC} - 0.6\text{ V}$; $V_{SW} = \text{GND or }V_{CC}$; $V_{CC} = 3.6\text{ V}$ [2]	-	-	300	-	2000	μA
C_I	input capacitance	pin $n\overline{OE}$; $V_{CC} = 3.3\text{ V}$; $V_I = 0\text{ V to }3.3\text{ V}$	-	0.9	-	-	-	pF
$C_{S(OFF)}$	OFF-state capacitance	$V_{CC} = 3.3\text{ V}$; $V_I = 0\text{ V to }3.3\text{ V}$	-	2.5	-	-	-	pF
$C_{S(ON)}$	ON-state capacitance	$V_{CC} = 3.3\text{ V}$; $V_I = 0\text{ V to }3.3\text{ V}$	-	9.0	-	-	-	pF

[1] All typical values are measured at $T_{amb} = 25\text{ °C}$.

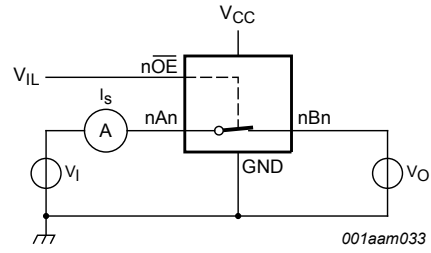
[2] One input at 3 V, other inputs at V_{CC} or GND.

9.1. Test circuits



$V_I = V_{CC}$ or GND and $V_O =$ GND or V_{CC} .

Fig. 5. Test circuit for measuring OFF-state leakage current (one switch)



$V_I = V_{CC}$ or GND and $V_O =$ open circuit.

Fig. 6. Test circuit for measuring ON-state leakage current (one switch)

9.2. Typical pass voltage graphs

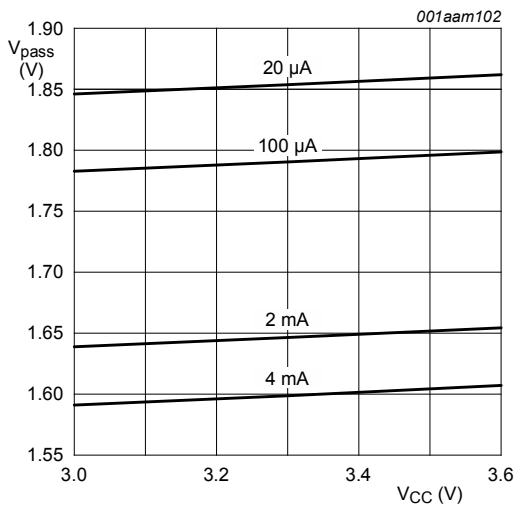


Fig. 7. Pass voltage versus supply voltage; $T_{amb} = 125\text{ °C}$ (typical)

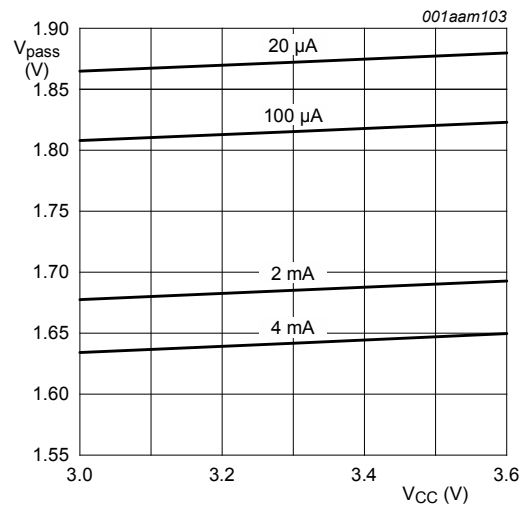


Fig. 8. Pass voltage versus supply voltage; $T_{amb} = 85\text{ °C}$ (typical)

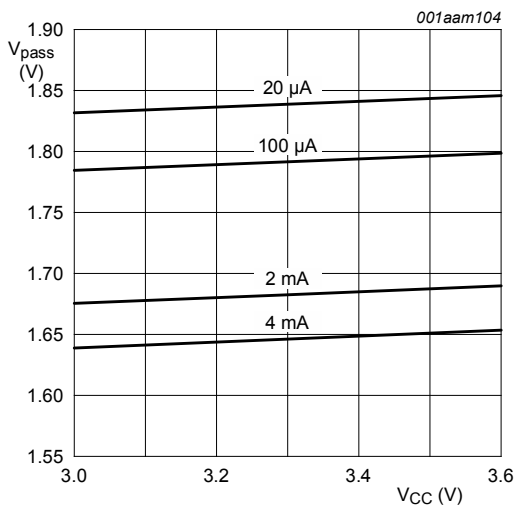


Fig. 9. Pass voltage versus supply voltage; $T_{amb} = 25\text{ °C}$ (typical)

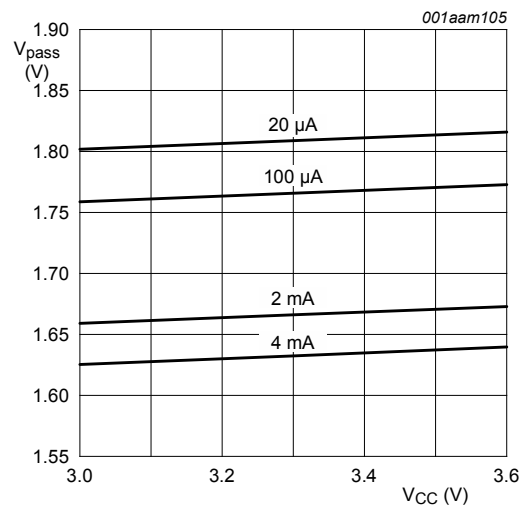


Fig. 10. Pass voltage versus supply voltage; $T_{amb} = 0\text{ °C}$ (typical)

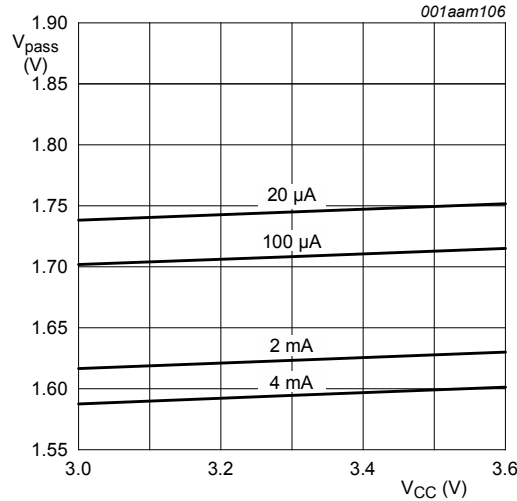


Fig. 11. Pass voltage versus supply voltage; $T_{amb} = -40\text{ °C}$ (typical)

9.3. ON resistance

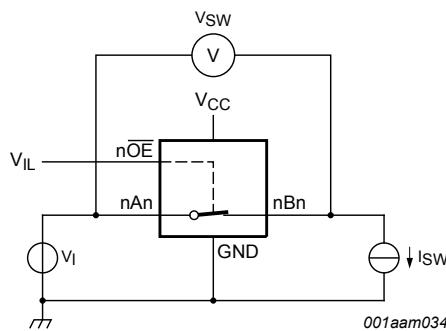
Table 7. Resistance R_{ON}

At recommended operating conditions; voltages are referenced to GND (ground = 0 V); for test circuit see Fig. 12.

Symbol	Parameter	Conditions	$T_{amb} = -40\text{ °C to }+85\text{ °C}$			$T_{amb} = -40\text{ °C to }+125\text{ °C}$		Unit
			Min	Typ [1]	Max	Min	Max	
R_{ON}	ON resistance	$V_{CC} = 3.0\text{ V to }3.6\text{ V}$ [2]						
		$I_{SW} = 64\text{ mA}; V_I = 0\text{ V}$	-	3.7	7.0	-	10.0	Ω
		$I_{SW} = 24\text{ mA}; V_I = 0\text{ V}$	-	3.7	7.0	-	10.0	Ω
		$I_{SW} = 15\text{ mA}; V_I = 1.2\text{ V}$	-	4.7	10.0	-	12.0	Ω

[1] Typical values are measured at $T_{amb} = 25\text{ °C}$ and nominal V_{CC} .

[2] Measured by the voltage drop between the A and B terminals at the indicated current through the switch. ON-state resistance is determined by the lower of the voltages of the two (A or B) terminals.



$$R_{ON} = V_{SW} / I_{SW}$$

Fig. 12. Test circuit for measuring ON resistance (one switch)

10. Dynamic characteristics

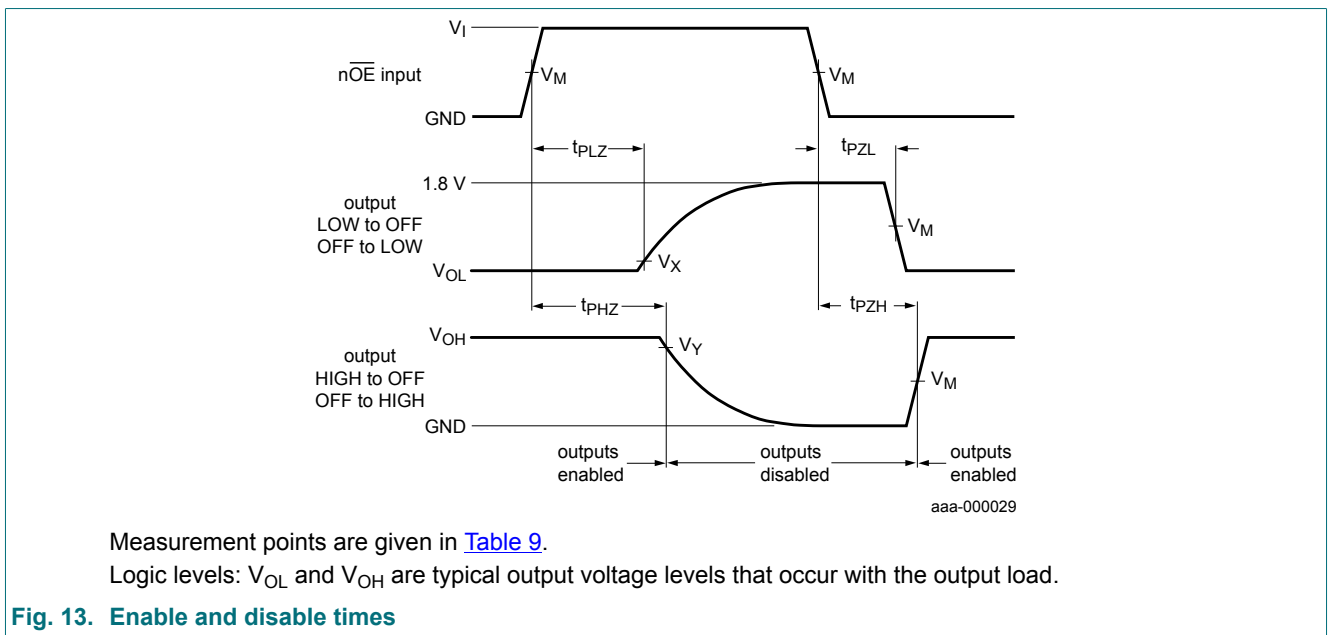
Table 8. Dynamic characteristics

$GND = 0\text{ V}$; for test circuit see [Fig. 15](#)

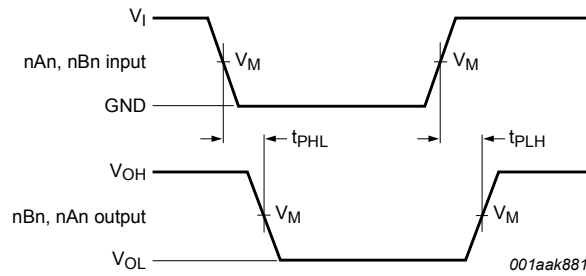
Symbol	Parameter	Conditions	$T_{amb} = -40\text{ °C to }+85\text{ °C}$			$T_{amb} = -40\text{ °C to }+125\text{ °C}$		Unit
			Min	Typ [1]	Max	Min	Max	
t_{pd}	propagation delay	nAn to nBn or nBn to nAn; $V_{CC} = 3.0\text{ V to }3.6\text{ V}$; see Fig. 14 [2][3]	-	-	0.11	-	0.22	ns
t_{en}	enable time	\overline{nOE} to nAn or nBn; $V_{CC} = 3.0\text{ V to }3.6\text{ V}$; see Fig. 13 [4]	1.5	2.8	5.0	1.5	6.0	ns
t_{dis}	disable time	\overline{nOE} to nAn or nBn; $V_{CC} = 3.0\text{ V to }3.6\text{ V}$; see Fig. 13 [5]	0.8	3.1	7.0	0.8	8.0	ns

- [1] All typical values are measured at $T_{amb} = 25\text{ °C}$ and at nominal V_{CC} .
- [2] The propagation delay is the calculated RC time constant of the typical on-state resistance of the switch and the load capacitance, when driven by an ideal voltage source (zero output impedance).
- [3] t_{pd} is the same as t_{PLH} and t_{PHL} .
- [4] t_{en} is the same as t_{PZH} and t_{PZL} .
- [5] t_{dis} is the same as t_{PHZ} and t_{PLZ} .

10.1. Waveforms and test circuit



8-bit level-shifting bus switch with 4-bit output enables



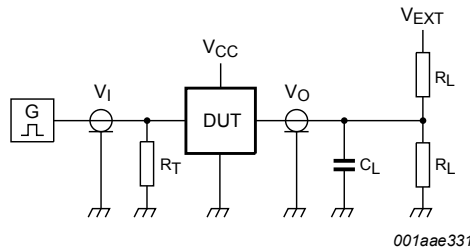
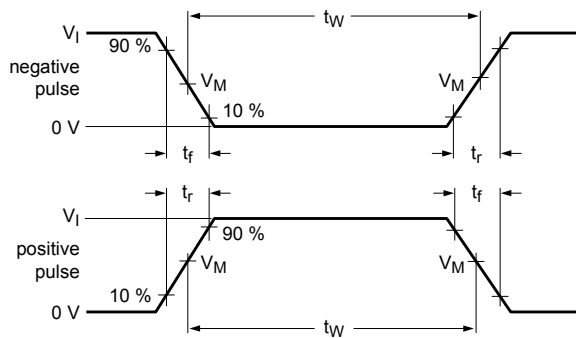
Measurement points are given in [Table 9](#).

Logic levels: V_{OL} and V_{OH} are typical output voltage levels that occur with the output load.

Fig. 14. The data input (nAn, nBn) to output (nBn, nAn) propagation delay times

Table 9. Measurement points

Supply voltage	Input			Output		
V_{CC}	V_M	V_I	$t_r = t_f$	V_M	V_X	V_Y
3.0 V to 3.6 V	$0.5V_{CC}$	V_{CC}	≤ 2.0 ns	0.9 V	$V_{OL} + 0.15$ V	$V_{OH} - 0.15$ V



Test data is given in [Table 10](#).

Definitions for test circuit:

R_L = Load resistance.

C_L = Load capacitance including jig and probe capacitance.

R_T = Termination resistance should be equal to the output impedance Z_o of the pulse generator.

V_{EXT} = External voltage for measuring switching times.

Fig. 15. Test circuit for measuring switching times

Table 10. Test data

Supply voltage	Load		V_{EXT}		
V_{CC}	C_L	R_L	t_{PLH}, t_{PHL}	t_{PZH}, t_{PHZ}	t_{PZL}, t_{PLZ}
3.0 V to 3.6 V	30 pF	1 k Ω	open	GND	3.6 V

10.2. Additional dynamic characteristics

Table 11. Additional dynamic characteristics

At recommended operating conditions; voltages are referenced to GND (ground = 0 V);
 $V_i = \text{GND}$ or V_{CC} (unless otherwise specified); $t_r = t_f \leq 2.5$ ns.

Symbol	Parameter	Conditions	$T_{\text{amb}} = 25\text{ }^{\circ}\text{C}$			Unit
			Min	Typ [1]	Max	
$f_{(-3\text{dB})}$	-3 dB frequency response	$V_{CC} = 3.3\text{ V}$; $R_L = 50\text{ }\Omega$; see Fig. 16 [2]	-	575	-	MHz

[1] Typical values are measured at $T_{\text{amb}} = 25\text{ }^{\circ}\text{C}$ and $V_{CC} = 3.3\text{ V}$.

[2] f_i is biased at $0.5V_{CC}$.

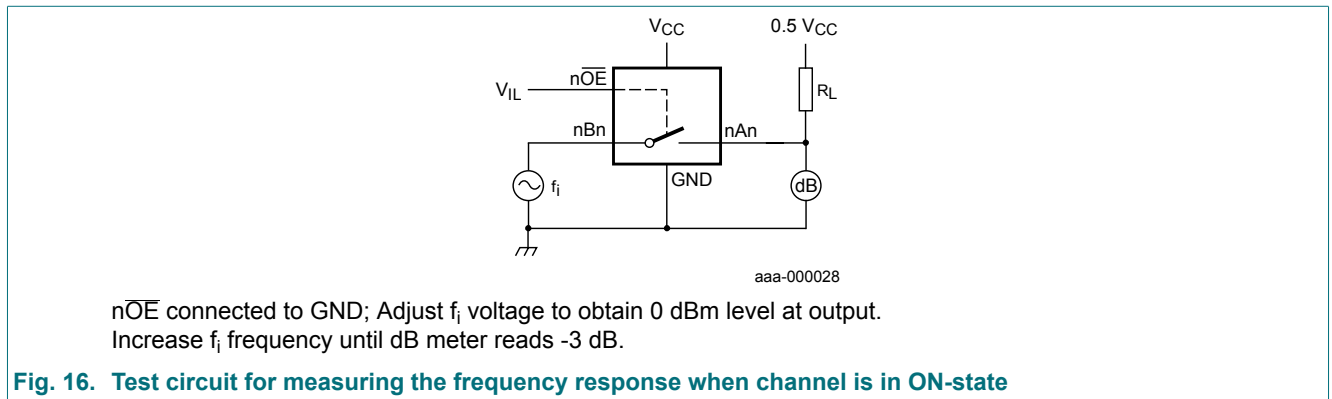


Fig. 16. Test circuit for measuring the frequency response when channel is in ON-state

11. Package outline

TSSOP20: plastic thin shrink small outline package; 20 leads; body width 4.4 mm

SOT360-1

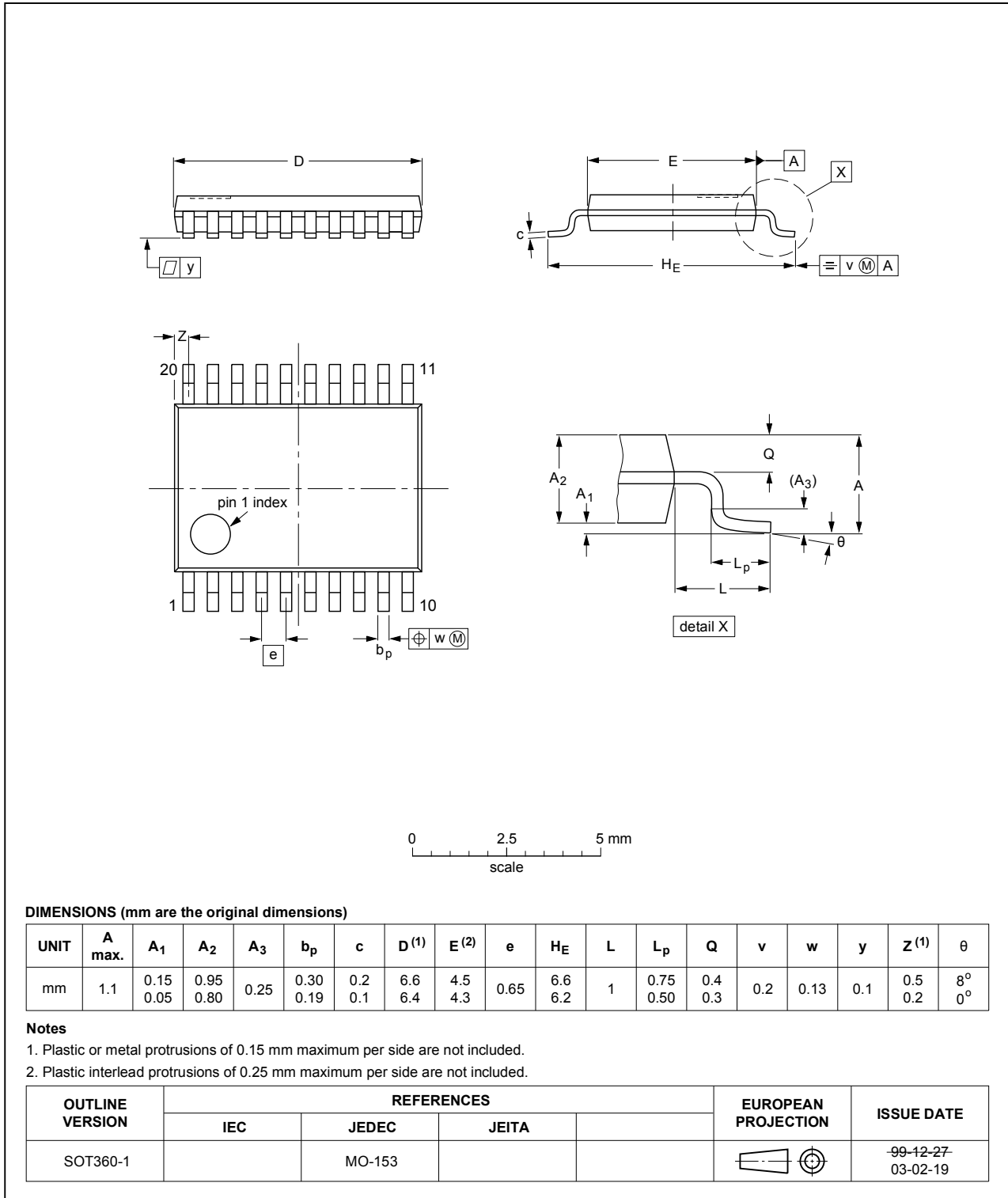


Fig. 17. Package outline SOT360-1 (TSSOP20)

12. Abbreviations

Table 12. Abbreviations

Acronym	Description
CDM	Charged Device Model
CMOS	Complementary Metal-Oxide Semiconductor
DUT	Device Under Test
ESD	ElectroStatic Discharge
HBM	Human Body Model

13. Revision history

Table 13. Revision history

Document ID	Release date	Data sheet status	Change notice	Supersedes
74CBTLVD3244 v.3	20190405	Product data sheet	-	74CBTLVD3244 v.2
Modifications:	<ul style="list-style-type: none"> The format of this data sheet has been redesigned to comply with the identity guidelines of Nexperia. Legal texts have been adapted to the new company name where appropriate. Type number 74CBTLVD3244DS (SSOP20/SOT724-1) removed. Package outline drawing SOT764-1 (DHSVFN20) updated. Typo corrected in Table 2. 			
74CBTLVD3244 v.2	20111216	Product data sheet	-	74CBTLVD3244 v.1
Modifications:	<ul style="list-style-type: none"> Legal pages updated. 			
74CBTLVD3244 v.1	20110715	Product data sheet	-	-

14. Legal information

Data sheet status

Document status [1][2]	Product status [3]	Definition
Objective [short] data sheet	Development	This document contains data from the objective specification for product development.
Preliminary [short] data sheet	Qualification	This document contains data from the preliminary specification.
Product [short] data sheet	Production	This document contains the product specification.

- [1] Please consult the most recently issued document before initiating or completing a design.
- [2] The term 'short data sheet' is explained in section "Definitions".
- [3] The product status of device(s) described in this document may have changed since this document was published and may differ in case of multiple devices. The latest product status information is available on the internet at <https://www.nexperia.com>.

Definitions

Draft — The document is a draft version only. The content is still under internal review and subject to formal approval, which may result in modifications or additions. Nexperia does not give any representations or warranties as to the accuracy or completeness of information included herein and shall have no liability for the consequences of use of such information.

Short data sheet — A short data sheet is an extract from a full data sheet with the same product type number(s) and title. A short data sheet is intended for quick reference only and should not be relied upon to contain detailed and full information. For detailed and full information see the relevant full data sheet, which is available on request via the local Nexperia sales office. In case of any inconsistency or conflict with the short data sheet, the full data sheet shall prevail.

Product specification — The information and data provided in a Product data sheet shall define the specification of the product as agreed between Nexperia and its customer, unless Nexperia and customer have explicitly agreed otherwise in writing. In no event however, shall an agreement be valid in which the Nexperia product is deemed to offer functions and qualities beyond those described in the Product data sheet.

Disclaimers

Limited warranty and liability — Information in this document is believed to be accurate and reliable. However, Nexperia does not give any representations or warranties, expressed or implied, as to the accuracy or completeness of such information and shall have no liability for the consequences of use of such information. Nexperia takes no responsibility for the content in this document if provided by an information source outside of Nexperia.

In no event shall Nexperia be liable for any indirect, incidental, punitive, special or consequential damages (including - without limitation - lost profits, lost savings, business interruption, costs related to the removal or replacement of any products or rework charges) whether or not such damages are based on tort (including negligence), warranty, breach of contract or any other legal theory.

Notwithstanding any damages that customer might incur for any reason whatsoever, Nexperia's aggregate and cumulative liability towards customer for the products described herein shall be limited in accordance with the Terms and conditions of commercial sale of Nexperia.

Right to make changes — Nexperia reserves the right to make changes to information published in this document, including without limitation specifications and product descriptions, at any time and without notice. This document supersedes and replaces all information supplied prior to the publication hereof.

Suitability for use — Nexperia products are not designed, authorized or warranted to be suitable for use in life support, life-critical or safety-critical systems or equipment, nor in applications where failure or malfunction of an Nexperia product can reasonably be expected to result in personal

injury, death or severe property or environmental damage. Nexperia and its suppliers accept no liability for inclusion and/or use of Nexperia products in such equipment or applications and therefore such inclusion and/or use is at the customer's own risk.

Quick reference data — The Quick reference data is an extract of the product data given in the Limiting values and Characteristics sections of this document, and as such is not complete, exhaustive or legally binding.

Applications — Applications that are described herein for any of these products are for illustrative purposes only. Nexperia makes no representation or warranty that such applications will be suitable for the specified use without further testing or modification.

Customers are responsible for the design and operation of their applications and products using Nexperia products, and Nexperia accepts no liability for any assistance with applications or customer product design. It is customer's sole responsibility to determine whether the Nexperia product is suitable and fit for the customer's applications and products planned, as well as for the planned application and use of customer's third party customer(s). Customers should provide appropriate design and operating safeguards to minimize the risks associated with their applications and products.

Nexperia does not accept any liability related to any default, damage, costs or problem which is based on any weakness or default in the customer's applications or products, or the application or use by customer's third party customer(s). Customer is responsible for doing all necessary testing for the customer's applications and products using Nexperia products in order to avoid a default of the applications and the products or of the application or use by customer's third party customer(s). Nexperia does not accept any liability in this respect.

Limiting values — Stress above one or more limiting values (as defined in the Absolute Maximum Ratings System of IEC 60134) will cause permanent damage to the device. Limiting values are stress ratings only and (proper) operation of the device at these or any other conditions above those given in the Recommended operating conditions section (if present) or the Characteristics sections of this document is not warranted. Constant or repeated exposure to limiting values will permanently and irreversibly affect the quality and reliability of the device.

Terms and conditions of commercial sale — Nexperia products are sold subject to the general terms and conditions of commercial sale, as published at <http://www.nexperia.com/profile/terms>, unless otherwise agreed in a valid written individual agreement. In case an individual agreement is concluded only the terms and conditions of the respective agreement shall apply. Nexperia hereby expressly objects to applying the customer's general terms and conditions with regard to the purchase of Nexperia products by customer.

No offer to sell or license — Nothing in this document may be interpreted or construed as an offer to sell products that is open for acceptance or the grant, conveyance or implication of any license under any copyrights, patents or other industrial or intellectual property rights.

Export control — This document as well as the item(s) described herein may be subject to export control regulations. Export might require a prior authorization from competent authorities.

Non-automotive qualified products — Unless this data sheet expressly states that this specific Nexperia product is automotive qualified, the product is not suitable for automotive use. It is neither qualified nor tested in accordance with automotive testing or application requirements. Nexperia accepts no liability for inclusion and/or use of non-automotive qualified products in automotive equipment or applications.

In the event that customer uses the product for design-in and use in automotive applications to automotive specifications and standards, customer (a) shall use the product without Nexperia's warranty of the product for such automotive applications, use and specifications, and (b) whenever customer uses the product for automotive applications beyond Nexperia's specifications such use shall be solely at customer's own risk, and (c) customer fully indemnifies Nexperia for any liability, damages or failed product claims resulting from customer design and use of the product for automotive applications beyond Nexperia's standard warranty and Nexperia's product specifications.

Translations — A non-English (translated) version of a document is for reference only. The English version shall prevail in case of any discrepancy between the translated and English versions.

Trademarks

Notice: All referenced brands, product names, service names and trademarks are the property of their respective owners.

Contents

1. General description	1
2. Features and benefits	1
3. Ordering information	1
4. Functional diagram	2
5. Pinning information	2
5.1. Pinning.....	2
5.2. Pin description.....	3
6. Functional description	3
7. Limiting values	3
8. Recommended operating conditions	4
9. Static characteristics	4
9.1. Test circuits.....	5
9.2. Typical pass voltage graphs.....	5
9.3. ON resistance.....	6
10. Dynamic characteristics	7
10.1. Waveforms and test circuit.....	7
10.2. Additional dynamic characteristics.....	9
11. Package outline	10
12. Abbreviations	12
13. Revision history	12
14. Legal information	13

© Nexperia B.V. 2019. All rights reserved

For more information, please visit: <http://www.nexperia.com>
For sales office addresses, please send an email to: salesaddresses@nexperia.com
Date of release: 5 April 2019