

Product Specification

SOLAR PANEL Model NO/: PG-120X62-001			
Solar Cell Size: 52*7.8mm		Solar Cell Type /High efficiency Poly crystalline	
Encapsulation Method: PCB laminated/PCB			
Project	NO	Item	Criterion
Solar Panel/ (MM)	1	Length	120mm (±0.3mm)
	2	Width	62mm (±0.3mm)
	3	Thickness/	3mm (±0.3mm)
Appearance/	1	Scratch	Without obvious scratch and damage
	2	Stripping	Without peeling off
	3	Discerption	Component without fracture
	4	Breakage	No cracks affecting performance
	5	Arrangement	Neat and uniform
Electrical performance	1	Open-circuit voltage(Voc V)	6V
	2	Short-circuit current(Isc mA/A)	143mA
	3	Voltage at nominal powerVmp(V)	5V
	4	Current at nominal power/ 最佳工作电流(mA/A)	130mA
	5	Power at nominal/ (W)	0.65W (±5%)
	6	Solar Cell Efficiency	≥20%
	7	Testing condition	(38000LUX) Standard Testing Condition(STC)= Irradiance 1000W/Square M(About 38000LUX), Temperature 25°C degree, AM=1.5

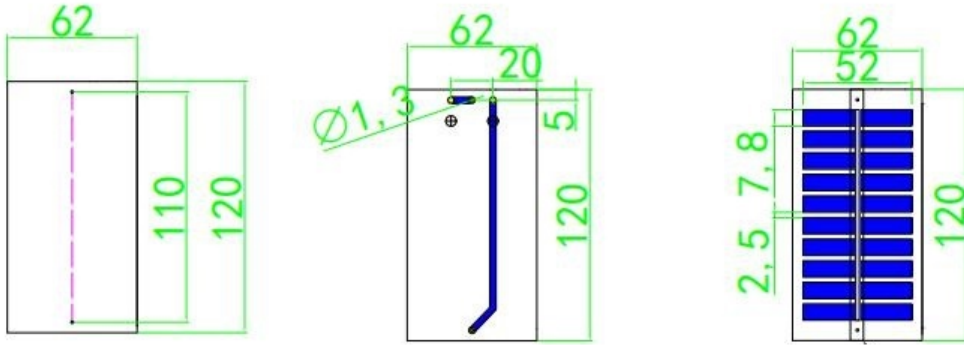
Product Specification

Work Environment & Notes	1	Working Temperature	-20°C~ 80°C under the STC testing condition.
	2	Humidity	5-95%
	3	Temperature Coefficient of Pmax	-(0.47+/-0.05)%/C degree
	4	Temperature Coefficient of Voc	-(0.34+/-0.01)%/C degree
	5	Temperature Coefficient of Isc	(0.045+/-0.01)%/C degree
Lifetime	5 Five years		

Materials & Connections	1	PCB glass fiber board PCB	1.6 MM PCB glass fiber board 1.6MM PCB
	2	Glue	Epoxy glue
	3	Output Connection	Wiring on the back
	4	Polarity	By drawing of the index
	5	Type of connection	10pcs in series connection/10
<p>6. Solar Panel mainly apply for the outdoor lighting condition, the output voltage/power will effected by the lighting directions, storage load etc.</p>			

Product Specification

Drawing design



Backplane positive

Floor opposite

Row piece figure

Note: 1.6mm FR4 fiberglass board, double-sided black oil, OSP process, backplane positive auxiliary line must be drawn across the electrodes of floor opposite symbols must be printing white.

		GENERAL TOLERANCES ISO 2768-Medium (Limits in mm for nominal sizes in mm)						
Tolerance class	0.5-3	>3-6	>6-30	>30-120	>120-400	>400-1000	>1000-3000	
Linear	±0.1	±0.1	±0.2	±0.3	±0.5	±0.8	±1.2	
Radius & Chamfer	±0.2	±0.5	±1	-	-	-	-	

TITLE 120*62*3MM 5V/130MA				REV 1.0	DESCRIPTION Initial release	DWN	CKD	DATE 2022/06/28
TYPE	UNIT mm	VIEW		REV	DESCRIPTION	DWN	CKD	DATE