

PLEASE CHECK WWW.MOLEX.COM FOR LATEST PART INFORMATION

Part Number: [0546791609](#)
Status: **Active**
Description: 1.25mm Pitch Small MGC (Multi-Ground Connector) Panel Mount Receptacle Housing Adapter, Polarizing Key 6.00mm Left from the Center

Documents:

[3D Model](#) [Product Specification PS-54678-007-001 \(PDF\)](#)
[Drawing \(PDF\)](#) [RoHS Certificate of Compliance \(PDF\)](#)

General

Product Family	Accessories
Series	54679
Component Type	Adapter
Product Name	Small MGC
UPC	822348366804

Physical

Circuits (Loaded)	16
Circuits (maximum)	16
Color - Resin	Gray
Gender	Female
Material - Plating Mating	Gold
Material - Plating Termination	Tin
Material - Resin	Polyester
Net Weight	5534.680/mg
Number of Rows	2
Packaging Type	Tray
Plating min - Mating	0.102µm
Plating min - Termination	1.016µm
Polarized to Mating Part	Yes
Temperature Range - Operating	-20° to +80°C
Termination Interface: Style	N/A, Through Hole

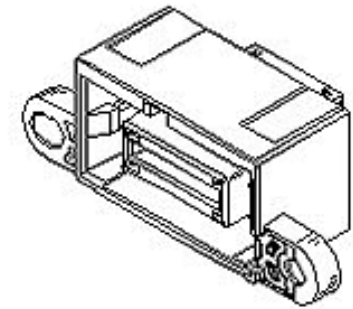
Electrical

Current - Maximum per Contact	1.5A
-------------------------------	------

Material Info

Reference - Drawing Numbers

Product Specification	PS-54678-007-001
Sales Drawing	SD-54679-004



Series image - Reference only

EU ELV

Not Relevant

EU RoHS

Compliant

REACH SVHC

Not Contained Per -
ED/71/2019 (16 July
2019)

Halogen-Free

Status

Not Low-Halogen

For more information, please visit [Contact US](#)

China ROHS

ELV

RoHS Phthalates

China RoHS

Green Image

Not Relevant

Not Contained

Search Parts in this Series

[54679 Series](#)

Use With

[54596 Series](#)