

Data sheet | Item number: 286-665

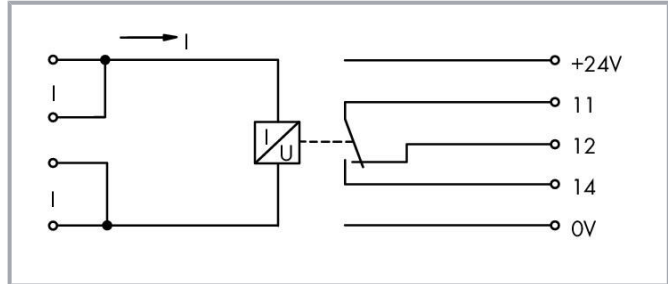
Current flow monitoring module; AC currents; Monitoring range: 1 A – 10 A; 1 changeover contact; light gray



[www.wago.com/286-665](http://www.wago.com/286-665)



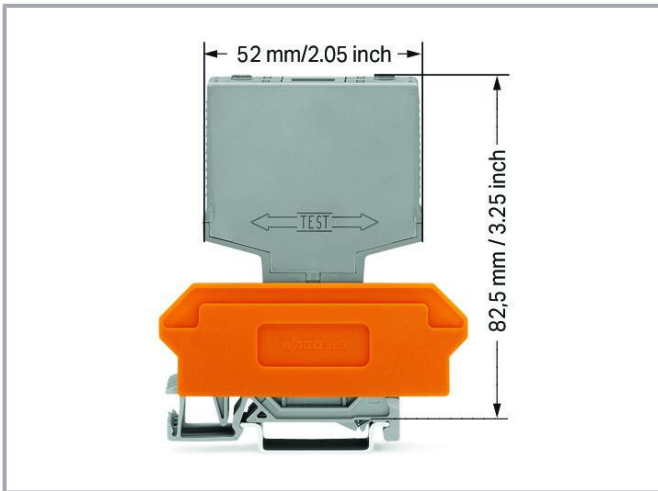
Color: —



Subject to changes. Please also observe the further product documentation!

WAGO GmbH & Co. KG  
Hansastr. 27  
32423 Minden  
Phone: +49571 887-0 | Fax: +49571 887-169  
Email: [info.de@wago.com](mailto:info.de@wago.com) | Web: [www.wago.com](http://www.wago.com)

Do you have any questions about our products?  
We are always happy to take your call at +49 (571) 887-44222.



## Data

### Electrical data

Nominal operating voltage	DC 24 V
Current consumption at nominal supply voltage	≤ 28 mA
Voltage drop at input	23 ... 850 mV
Measurement span (max.)	1 ... 10 AAC
Switching threshold (adjustable) min.	1 A
Response time	200 ms
Number of changeover/switchover contacts	1
Number of break/switch-off contacts	1
Limiting continuous current	5 A
Switching voltage (max.)	AC 250 V
Switching power (resistive) max.	AC 1250 VA
Status indicator	Red LED; Energized relay (current < switching threshold)

### Safety and protection

Rated voltage	250 V
Rated surge voltage	4 kV
Pollution degree	2
Dielectric strength, input/output (AC, 1 min)	1.5 kV <sub>rms</sub>

### Physical data

Height from upper-edge of DIN-rail	82.5 mm / 3.25 inches
------------------------------------	-----------------------

Subject to changes. Please also observe the further product documentation!



Depth	52 mm / 2.047 inches
-------	----------------------

### Mechanical Data

Mounting type	Pluggable module for receptacle terminal blocks
Housing design	Plug for carrier terminal blocks

### Material Data

Color	light gray
Fire load	9.712 MJ
Weight	58 g

### Environmental requirements

Ambient temperature (operation)	-25 ... +40 °C
Ambient temperature (storage)	-40 ... +70 °C
Relative humidity	5 ... 85 % (no condensation permissible)
Operating altitude (max.)	2000 m

### Commercial data

Product Group	6 (INTERFACE ELECTRONIC)
eCl@ss 10.0	27-37-18-02
eCl@ss 9.0	27-37-18-02
ETIM 8.0	EC001440
ETIM 7.0	EC001440
PU (SPU)	10 (1) pcs
Packaging type	Box
Country of origin	DE
GTIN	4050821254850
Customs tariff number	85364900990

### Environmental Product Compliance

CAS-No.	7439-92-1 79-94-7
REACH Candidate List Substance	2,2',6,6'-tetrabromo-4,4'-isopropylidenediphenol Lead
RoHS Compliance Status	Compliant, With Exemption
RoHS Exemption	6(c) 7(a)

Subject to changes. Please also observe the further product documentation!

7(c)-I  
7(c)-II

SCIP notification number (Bulgaria)	ab0a0b59-6bf2-4923-88e9-ad17aab6e282
SCIP notification number (Czech Republic)	3416c4f9-58a6-4234-a637-e4ce34879bc3

## Optional accessories

### Marking accessories

Marker

**Item no.: 209-701**

WSB marking card; as card; not stretchable; plain; snap-on type; white

[www.wago.com/209-701](http://www.wago.com/209-701)

### Terminal blocks

Terminal block for pluggable modules

**Item no.: 280-629**Terminal block for pluggable modules; 10-pole; with 4-conductor terminal blocks; with orange separator; for DIN-rail 35 x 15 and 35 x 7.5; 2.5 mm<sup>2</sup>; CAGE CLAMP®; 2,50 mm<sup>2</sup>; gray[www.wago.com/280-629](http://www.wago.com/280-629)**Item no.: 280-639**Terminal block for pluggable modules; 10-pole; with 2-conductor terminal blocks; with orange separator; for DIN-rail 35 x 15 and 35 x 7.5; 2.5 mm<sup>2</sup>; CAGE CLAMP®; 2,50 mm<sup>2</sup>; gray[www.wago.com/280-639](http://www.wago.com/280-639)**Item no.: 280-765**Terminal block for pluggable modules; 10-pole; with 4-conductor terminal blocks; with marker carrier; with orange separator; for DIN-rail 35 x 15 and 35 x 7.5; 2.5 mm<sup>2</sup>; CAGE CLAMP®; 2,50 mm<sup>2</sup>; gray[www.wago.com/280-765](http://www.wago.com/280-765)

## Downloads

### Documentation

#### Bid Text

286-665	2019 Feb 19	xml	Download
X81 - Datei		3.8 kB	

286-665	2015 Apr 2	doc	Download
doc - Datei		25.6 kB	

#### Instruction Leaflet

pdf  
1.3 MB  
Download

#### Additional Information

Disposal and Recycling	V 1.1.0	pdf	Download
Electrical and electronic equipment, Batteries, Packaging	2022 Aug 18	2.2 MB	

Subject to changes. Please also observe the further product documentation!

WAGO GmbH & Co. KG  
 Hansastr. 27  
 32423 Minden  
 Phone: +49571 887-0 | Fax: +49571 887-169  
 Email: [info.de@wago.com](mailto:info.de@wago.com) | Web: [www.wago.com](http://www.wago.com)

Do you have any questions about our products?  
 We are always happy to take your call at +49 (571) 887-44222.



## CAD/CAE-Data

### CAD data

2D/3D Models 286-665	<a href="#">URL</a>	<a href="#">Download</a>
----------------------	---------------------	--------------------------

---

### CAE data

WSCAD Universe 286-665	<a href="#">URL</a>	<a href="#">Download</a>
------------------------	---------------------	--------------------------

---

ZUKEN Portal 286-665	<a href="#">URL</a>	<a href="#">Download</a>
----------------------	---------------------	--------------------------

---

## Environmental Product Compliance

### Compliance Search

Environmental Product Compliance 286-665	<a href="#">URL</a>	<a href="#">Download</a>
--	---------------------	--------------------------

Current flow monitoring module; AC currents; Monitoring range: 1 A – 10 A; 1 changeover contact; light gray

---

## Installation Notes

Subject to changes. Please also observe the further product documentation!