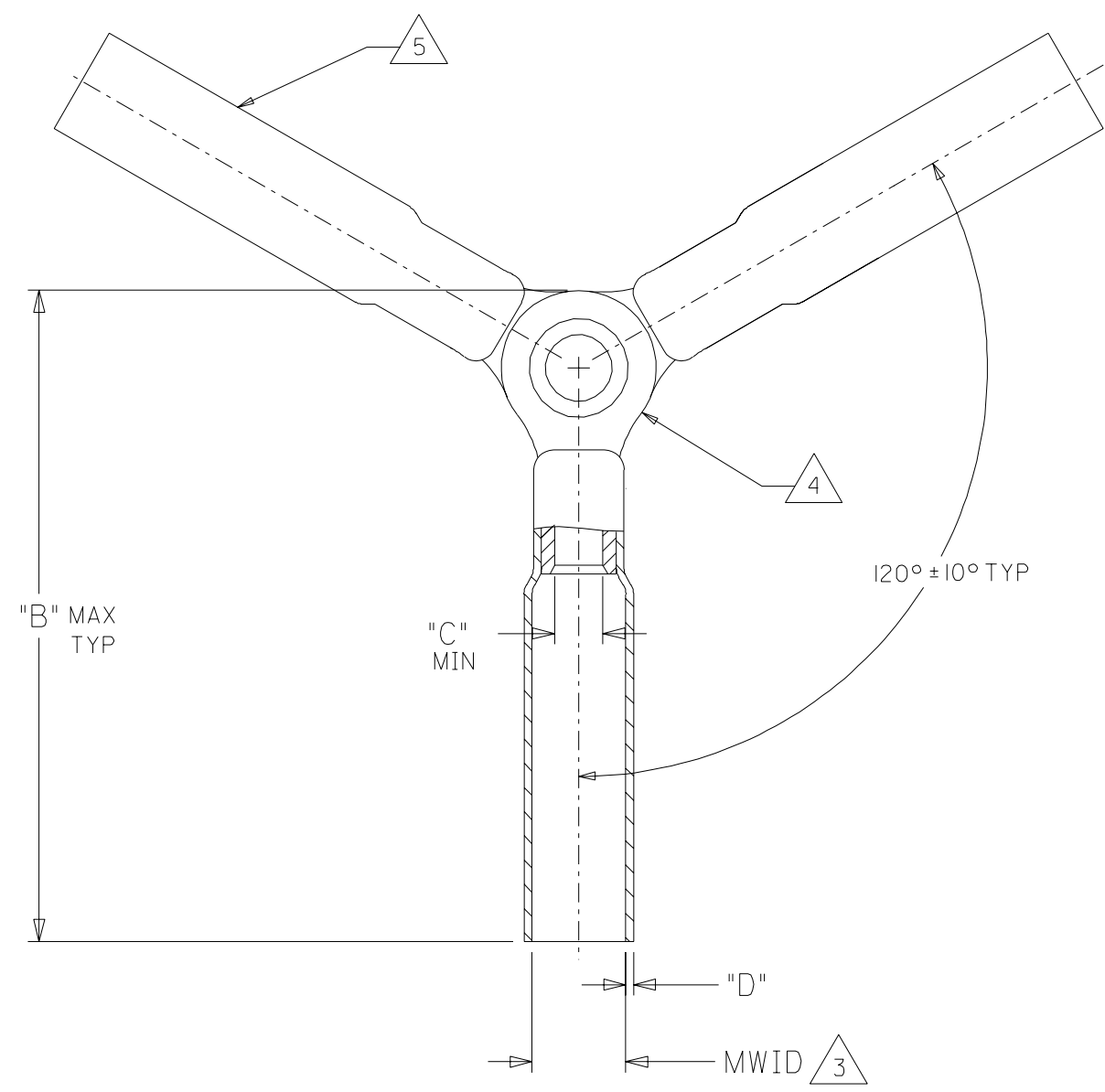


MATERIAL NUMBER	ENGINEERING NUMBER	WIRE SIZE AWG	WIRE SIZE MM SQ.	PERMA-SEAL COLOR	MWID	B MAX	C MIN	D
191640011	SA-2YCX	22-18	.25-1.5	RED	.215/5.46	1.25/31.8	.62/1.57	.025/0.64
191640042	SB-2YCX	16-14	1.0-2.5	BLUE	.235/5.97	1.24/31.5	1.24/31.5	.029/0.74
191640074	SC-2YCX	12-10	4.0-6.0	YELLOW	.310/7.62	1.34/34.0	.128/3.25	.029/0.74

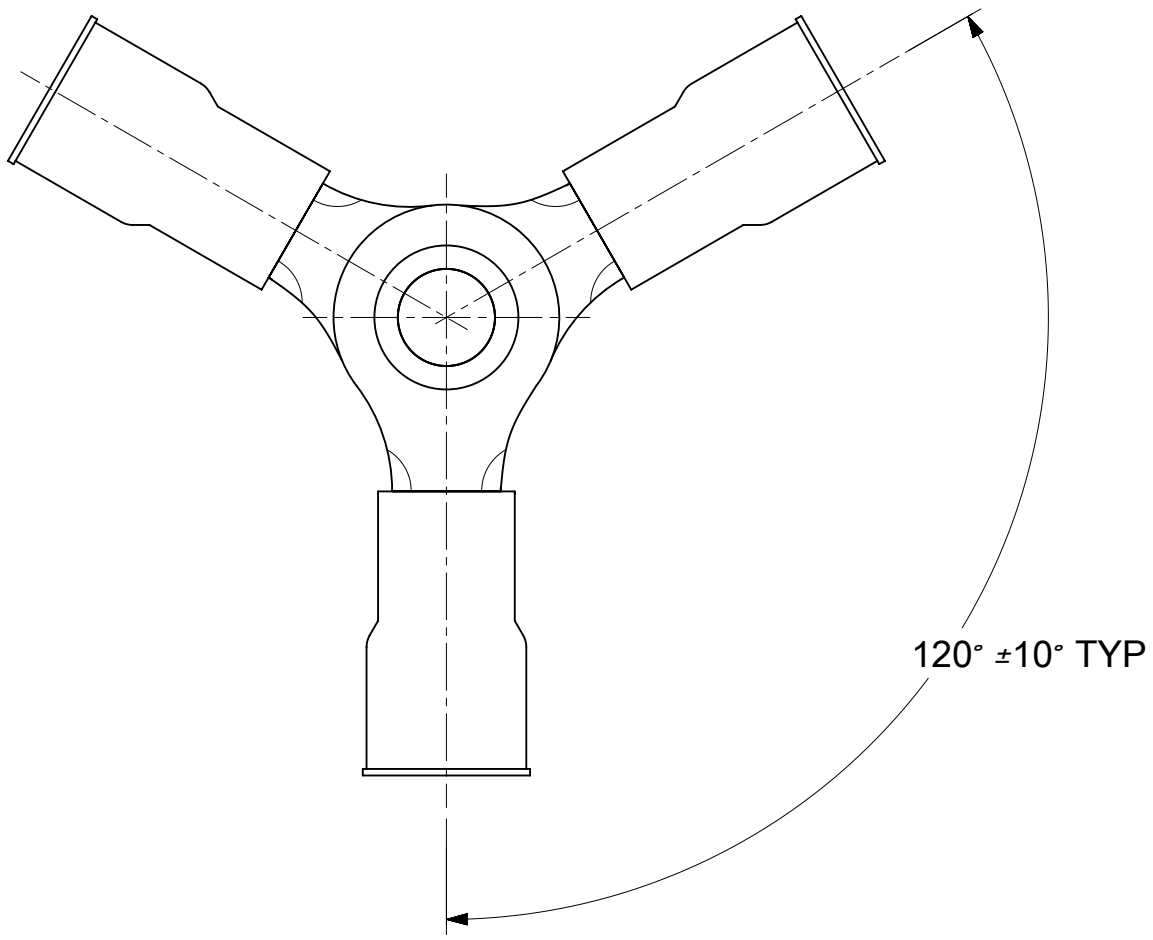


- NOTES;
1. CONNECTION BETWEEN TERMINALS TO BE TIGHT.
 2. RIVET NOT TO BE SPLIT.
 3. MWID = MAXIMUM WIRE INSULATION DIAMETER.
 4. TERMINAL MATERIAL: COPPER ALLOY.
 5. INSULATION MATERIAL: HEAT SHRINKABLE TUBING WITH HOTMELT ADHESIVE INNER LINER. COLOR SEE CHART.

SALES DRAWING

NEW RELEASE EC NO. ETC2003-0136 DRWN: BRE 03/03/20 CHK: HEB 03/03/20 APPR: RWD 03/03/20	QUALITY SYMBOLS	GENERAL TOLERANCES: (UNLESS SPECIFIED)		SCALE NO: NE	DESIGN UNITS	THIRD ANGLE PROJECTION	DIMENSIONS:	SHT	REV
	MAJOR = 0	mm	INCH	mm	INCH	mm ONLY	mm INCH		REVISE ON CAD ONLY
	CRITICAL = 0	4 PLACES ±0.	±.	DRAWN BY & DATE	TITLE: 3-WAY NIAC CONNECTOR ASSEMBLY				
		3 PLACES ±0.	±.	BRE 02/11/15	MOLEX INCORPORATED				
	2 PLACES ±0.	±.	CHECKED BY & DATE	MATERIAL NO. DRAWING NO. SHEET NO.					
	1 PLACE ±0.	±.	HEB 02/11/15	SEE CHART SD-19164-051 1 OF 1					
		ANGULAR: ± °	APPROVED BY & DATE	THIS DRAWING CONTAINS INFORMATION THAT IS PROPRIETARY TO MOLEX INCORPORATED AND SHOULD NOT BE USED WITHOUT WRITTEN PERMISSION.					
			RWD 15/11/15	SIZE B					
			CAD FILENAME						
			E-19164-051 .DGN						

ASSEMBLY NUMBER	
MATERIAL NUMBER	ENGINEERING NUMBER
192040002	A-1YC
192040004	A-2YCX
192040005	A-3YC
192040009	A-5YC
192040010	A-8YC
192040012	B-1YC
192040014	B-2YCX
C1-----	-----
192040018	B-5YC
192040022	B-8YC
192040024	C-1YC
192040026	C-2YCX
C1-----	-----
192040030	C-5YC
C1-----	-----
191640011	SA-2YCX
191640042	SB-2YCX
191640074	SC-2YCX
C1 192040008	A-5XC



SYMBOLS ▽ = 0 ▽ = 0 ▽ = 0 ▽ = 0 ▽ = 0 ▽ = 0 ▽ = 0 ▽ = 0 ▽ = 0 ▽ = 0 ▽ = 0	THIS DRAWING CONTAINS INFORMATION THAT IS PROPRIETARY TO MOLEX ELECTRONIC TECHNOLOGIES, LLC AND SHOULD NOT BE USED WITHOUT WRITTEN PERMISSION			<p style="text-align: center;">molex</p> <p style="text-align: center;">3-WAY CONNECTOR ASSEMBLY</p> <p style="text-align: center;">PRODUCT CUSTOMER DRAWING</p>	
	DIMENSION UNITS: NTS SCALE: 1:1	GENERAL TOLERANCES (UNLESS SPECIFIED)			CURRENT REV DESC: RMV OBSO PN: 192040016 (B-3YC), 192040028 (C-3YC), 192040031 (C-8YC). ADD MISSING P/N: 192040008 (A-5XC)
		MM INCH			EC NO: 630252 DRWN: DMYRICK 2020/01/08 CHK'D: JMACNEIL 2020/01/10 APPR: JMACNEIL 2020/01/10
	4 PLACES ± ± 3 PLACES ± ± 0.005 2 PLACES ± 0.13 ± 0.01 1 PLACE ± 0.25 ±				INITIAL REVISION: DRWN: BENDERLE 2002/11/14 APPR: RDEROSS 2003/05/16
	0 PLACES ± ± ANGULAR TOL ± 0.5 °				DOCUMENT NUMBER: SD-19204-001 DOC TYPE: PSD DOC PART: 001 REVISION: C1
	DRAFT WHERE APPLICABLE MUST REMAIN WITHIN DIMENSIONS	THIRD ANGLE PROJECTION	DRAWING: A-SIZE		SERIES: 19204 MATERIAL NUMBER: SEE CHART CUSTOMER: GENERAL MARKET SHEET NUMBER: 1 OF 1

DOCUMENT STATUS	P1	RELEASE DATE	2020/01/10	19:08:27
-----------------	----	--------------	------------	----------