

6

5

4

3

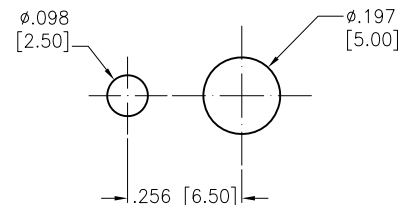
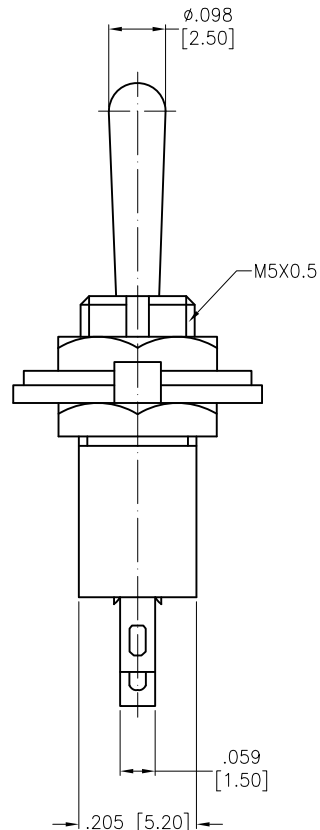
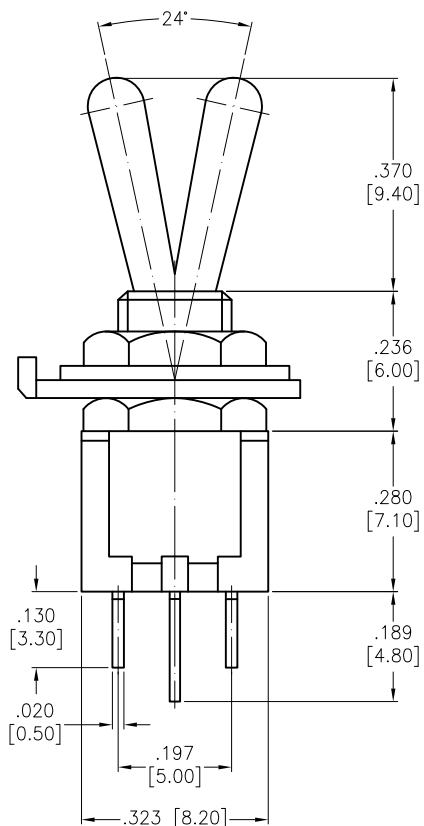
2

1

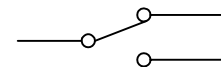
APPROVED: _____

DATE: _____ TITLE: _____

Rev	AWO #	Description	Date	Appr
-		RELEASED	11/19/20	



RECOMMENDED PANEL CUT-OUT



CIRCUIT DIAGRAM (SPDT)

SPECIFICATIONS:

Material:

Body: PA66, Color: Black
Lever: Brass, Nickel plated
Terminal: Brass, Silver plated

Electrical:

Rating: 1.5A @ 250V AC
3A @ 125V AC

Contact resistance: 20 mΩ max

Insulation resistance: 1000 MΩ min (500VDC)

Dielectric withstanding voltage: 1000V AC for 1 minute

Electrical Life: 10,000 cycles

Temperature Rating:

Operating temperature: -25°C to +85°C

Environmental:

Lead free, RoHS compliant



UNLESS OTHERWISE SPECIFIED
ALL DIMENSIONS ARE INCHES [MM]
TOLERANCES: EXCEPT AS NOTED
INCHES HOLES
.X ± .10 Ø.X ± .10
.XX ± .020 Ø.XX ± .015
.XXX ± .015 Ø.XXX ± .010



909 Rahway Avenue,
Union, NJ 07083
Phone: 908-687-5000
Fax: 908-687-5710

TITLE SWITCH, TOGGLE SUB-MINIATURE, SPDT,
ON-ON, SOLDER TYPE

APPROVALS		DATE
DRAWN	OW	11/19/20
CHECKED	AC	11/19/20
APPROVED		

SIZE X	PART NO. SW-T3-2B-A-A3-S1	REV. -
REF: -	SCALE: NTS	SHEET 1 OF 1

6

5

4

3

2

1