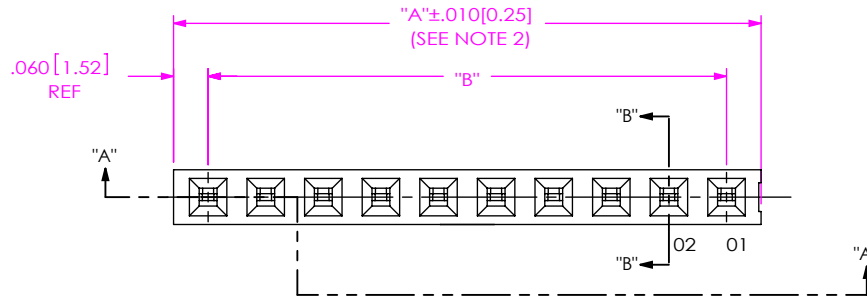


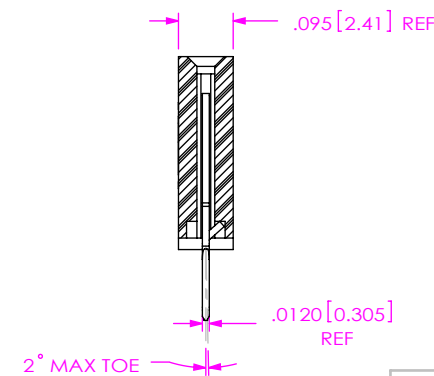
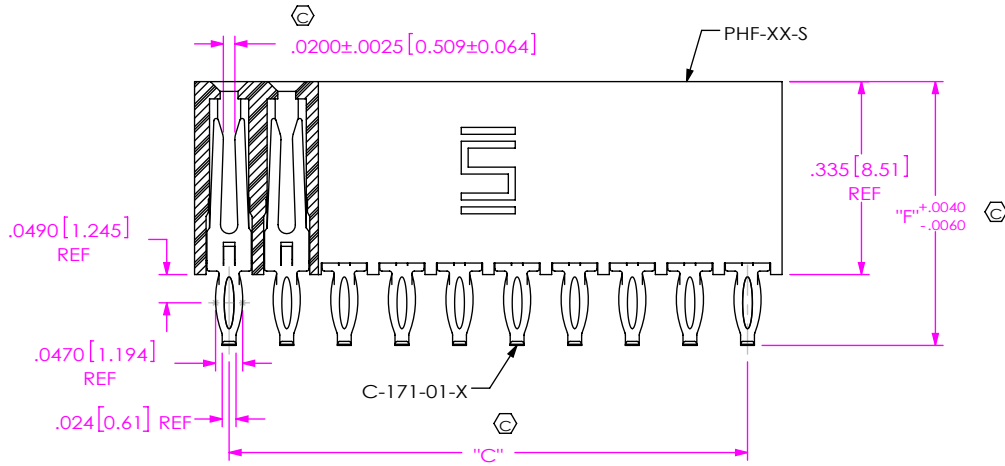
DO NOT SCALE FROM THIS PRINT

DESIGNED & DIMENSIONED IN INCHES[MILLIMETERS]

PHF-1XX-XX-X-X-XXX



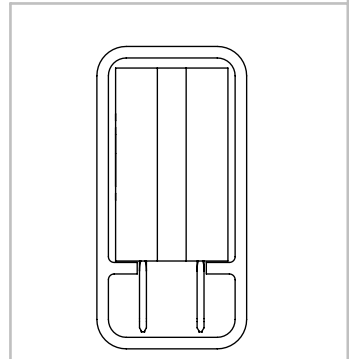
- No OF POSITIONS**
 -01 (SINGLE ROW ONLY)
 -02 THRU -50 (PER ROW)
- LEAD STYLE**
 -01: (USE C-171-01-X)
 -02: (USE C-171-02-X)
 -03: (USE C-171-03-X)
 -04: (USE C-171-04-X)
- PLATING SPECIFICATION**
 -S: SELECTIVE, .000030 GOLD ON POST, TIN ON TAIL
 -L: SELECTIVE, .000010 GOLD ON POST, TIN ON TAIL
- POLARIZATION OPTION**
 -XXX INDICATES POSITION (USE PK-06-N)
- ROW SPECIFICATION**
 -S: SINGLE
 -D: DOUBLE



SECTION "B"-"B"

SECTION "A"-"A"

FIG 1 (PHF-1XX-01-X-S SHOWN)



PACKAGING VIEW (SEE NOTE 5 & TABLE 3)

TABLE 1

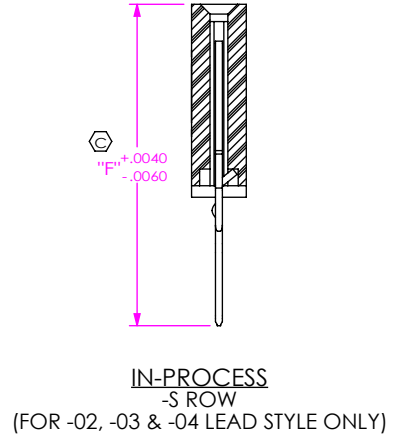
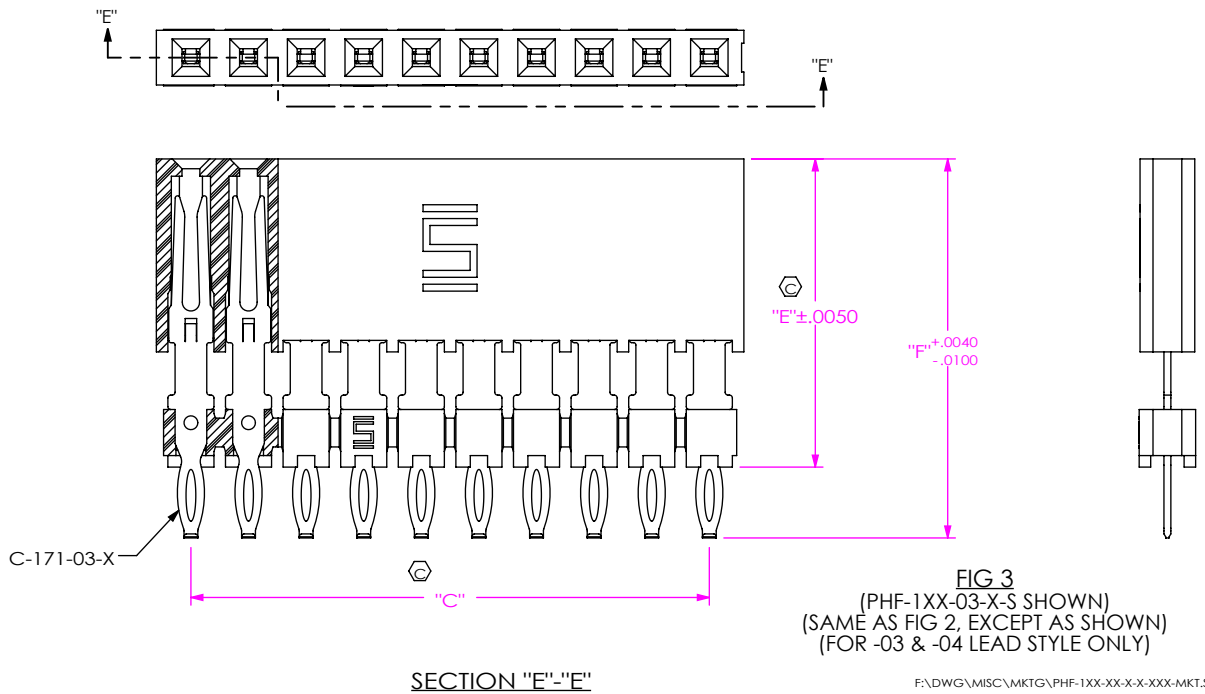
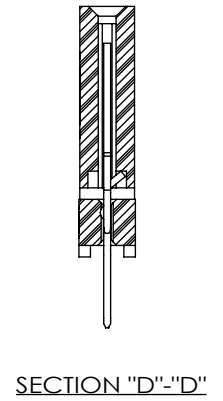
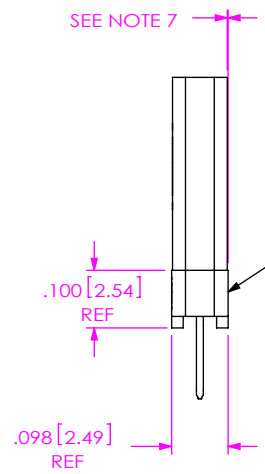
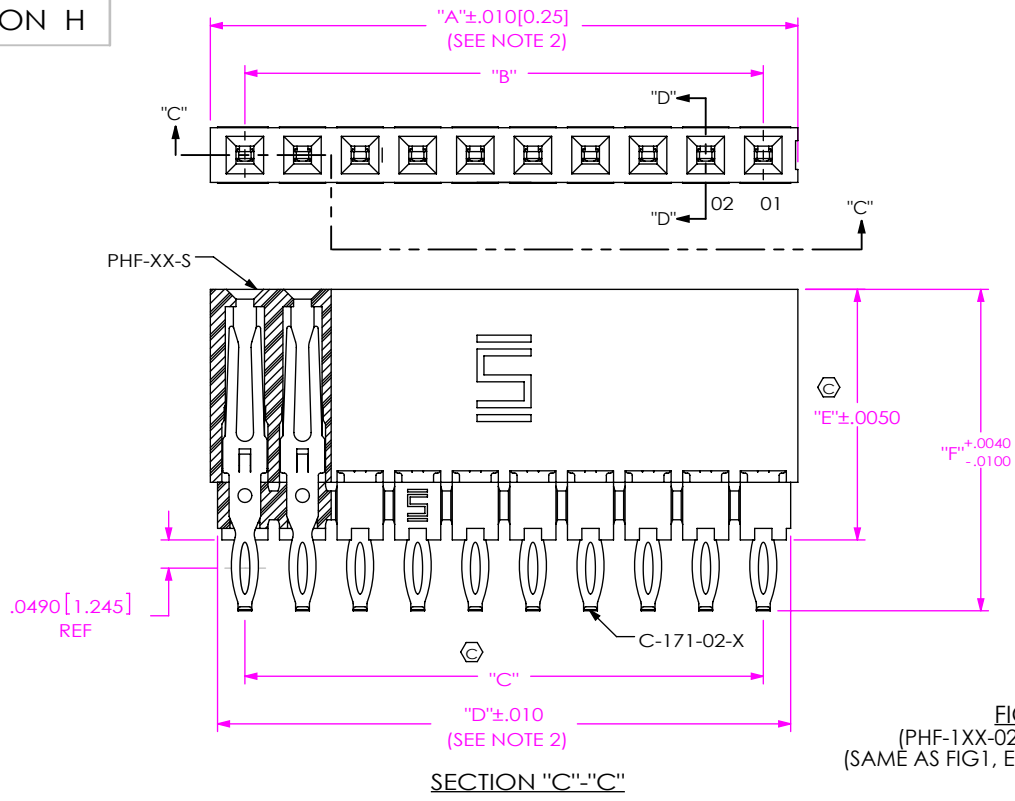
LEAD STYLE	"E"	"F"
-01	N/A	.4580 [11.633]
-02	.4350 [11.049]	.5580 [14.173]
-03	.5350 [13.589]	.6580 [16.713]
-04	.6350 [16.129]	.7580 [19.253]

TABLE 3 - PACKAGING

LEAD STYLE	ROW SPEC.	TUBE	PLUG
-01	-S	PT-1-24-01-24	TP-24
	-D	PT-1-24-01-22	TP-03
-02	-S	PT-1-24-01-46	TP-24
	-D	PT-1-24-06-29	TP-03
-03	-S	PT-1-24-10-03	TP-24
	-D	PT-1-24-07T-109	TP-29
-04	-S	PT-1-24-10-03	TP-24
	-D	PT-1-24-01-71	TP-03

- NOTES:
- ⊕ REPRESENTS A CRITICAL DIMENSION.
 - MAXIMUM CUT FLASH: .020 [0.51].
 - MINIMUM CONTACT RETENTION: .5 LB PER PIN.
 - PARTS MAY BE CUT TO POS. ONE POS LOST PER CUT.
 - BULK PACKAGED TO BE USED FOR 4 POSITION AND BELOW, TUBE TO BE USED FOR 5 POSITION AND ABOVE.
 - MAX ALLOWABLE BOW .002[0.05] INCH/INCH AFTER ASSEMBLY.
 - PHF BODY IS NOT TO BE MORE THAN +/--.01[0.25] FROM PLANE SET BY PHF BODY.

UNLESS OTHERWISE SPECIFIED, DIMENSIONS ARE IN INCHES [MILLIMETERS]. TOLERANCES ARE: DECIMALS ANGLES .XX: ±.01 [.3] 2° .XXX: ±.005 [.13] .XXXX: ±.0020 [.051]	PROPRIETARY NOTE THIS DOCUMENT CONTAINS INFORMATION CONFIDENTIAL AND PROPRIETARY TO SAMTEC, INC. AND SHALL NOT BE REPRODUCED OR TRANSFERRED TO OTHER DOCUMENTS OR DISCLOSED TO OTHERS OR USED FOR ANY PURPOSE OTHER THAN THAT WHICH IT WAS OBTAINED WITHOUT THE EXPRESSED WRITTEN CONSENT OF SAMTEC, INC.	520 PARK EAST BLVD, NEW ALBANY, IN 47150 PHONE: 812-944-6733 FAX: 812-948-5047 e-Mail info@SAMTEC.com code 55322



PROPRIETARY NOTE
THIS DOCUMENT CONTAINS INFORMATION
CONFIDENTIAL AND PROPRIETARY TO
SAMTEC, INC. AND SHALL NOT BE REPRODUCED
OR TRANSFERRED TO OTHER DOCUMENTS OR
DISCLOSED TO OTHERS OR USED FOR ANY
PURPOSE OTHER THAN THAT WHICH IT WAS
OBTAINED WITHOUT THE EXPRESSED WRITTEN
CONSENT OF SAMTEC, INC.

DO NOT SCALE DRAWING
SHEET SCALE: 3:1



520 PARK EAST BLVD, NEW ALBANY, IN 47150
PHONE: 812-944-6733 FAX: 812-948-5047
e-Mail: info@SAMTEC.com code 55322

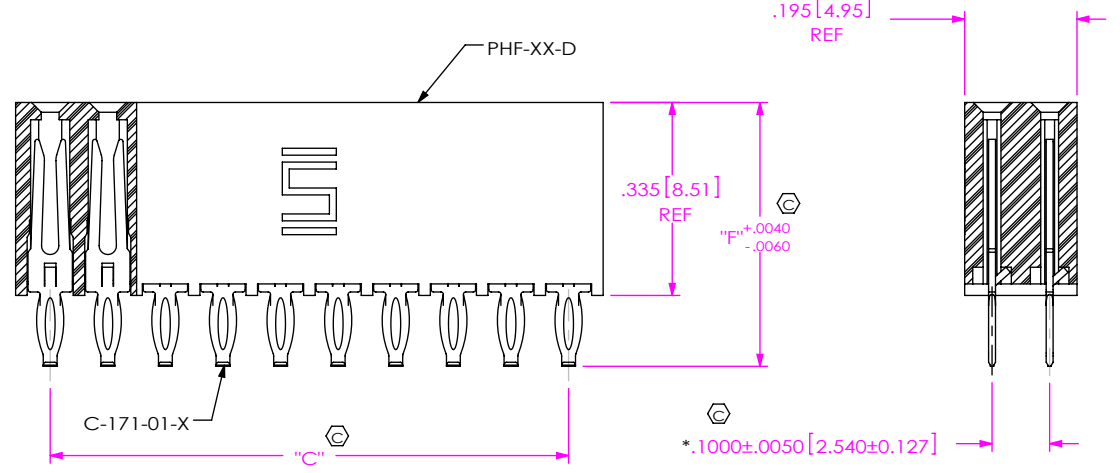
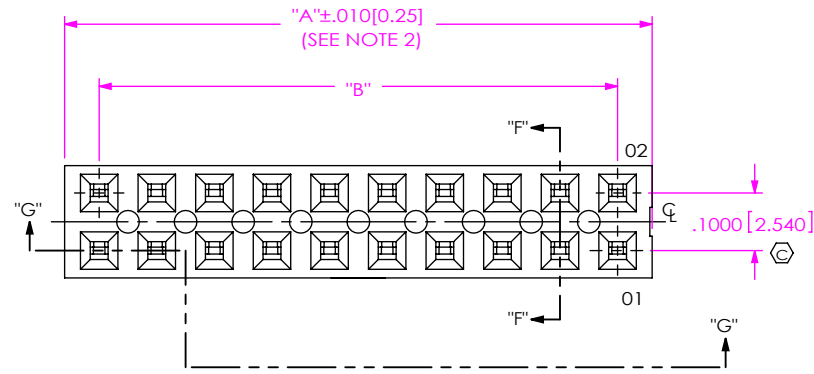
DESCRIPTION: .100 PRESS FIT SOCKET ASSEMBLY

DWG. NO. PHF-1XX-XX-X-X-XXX

BY: ROY LUO 9/3/2009 SHEET 2 OF 4

TABLE 2

No. OF POS	"A"		"B"		"C"		"D"	
-01	0.120	[3.05]	N/A		N/A		0.095	[2.41]
-02	0.220	[5.59]	0.100	[2.54]	0.100	[2.54]	0.195	[4.95]
-03	0.320	[8.13]	0.200	[5.08]	0.200	[5.08]	0.295	[7.49]
-04	0.420	[10.67]	0.300	[7.62]	0.300	[7.62]	0.395	[10.03]
-05	0.520	[13.21]	0.400	[10.16]	0.400	[10.16]	0.495	[12.57]
-06	0.620	[15.75]	0.500	[12.70]	0.500	[12.70]	0.595	[15.11]
-07	0.720	[18.29]	0.600	[15.24]	0.600	[15.24]	0.695	[17.65]
-08	0.820	[20.83]	0.700	[17.78]	0.700	[17.78]	0.795	[20.19]
-09	0.920	[23.37]	0.800	[20.32]	0.800	[20.32]	0.895	[22.73]
-10	1.020	[25.91]	0.900	[22.86]	0.900	[22.86]	0.995	[25.27]
-11	1.120	[28.45]	1.000	[25.40]	1.000	[25.40]	1.095	[27.81]
-12	1.220	[30.99]	1.100	[27.94]	1.100	[27.94]	1.195	[30.35]
-13	1.320	[33.53]	1.200	[30.48]	1.200	[30.48]	1.295	[32.89]
-14	1.420	[36.07]	1.300	[33.02]	1.300	[33.02]	1.395	[35.43]
-15	1.520	[38.61]	1.400	[35.56]	1.400	[35.56]	1.495	[37.97]
-16	1.620	[41.15]	1.500	[38.10]	1.500	[38.10]	1.595	[40.51]
-17	1.720	[43.69]	1.600	[40.64]	1.600	[40.64]	1.695	[43.05]
-18	1.820	[46.23]	1.700	[43.18]	1.700	[43.18]	1.795	[45.59]
-19	1.920	[48.77]	1.800	[45.72]	1.800	[45.72]	1.895	[48.13]
-20	2.020	[51.31]	1.900	[48.26]	1.900	[48.26]	1.995	[50.67]
-21	2.120	[53.85]	2.000	[50.80]	2.000	[50.80]	2.095	[53.21]
-22	2.220	[56.39]	2.100	[53.34]	2.100	[53.34]	2.195	[55.75]
-23	2.320	[58.93]	2.200	[55.88]	2.200	[55.88]	2.295	[58.29]
-24	2.420	[61.47]	2.300	[58.42]	2.300	[58.42]	2.395	[60.83]
-25	2.520	[64.01]	2.400	[60.96]	2.400	[60.96]	2.495	[63.37]
-26	2.620	[66.55]	2.500	[63.50]	2.500	[63.50]	2.595	[65.91]
-27	2.720	[69.09]	2.600	[66.04]	2.600	[66.04]	2.695	[68.45]
-28	2.820	[71.63]	2.700	[68.58]	2.700	[68.58]	2.795	[70.99]
-29	2.920	[74.17]	2.800	[71.12]	2.800	[71.12]	2.895	[73.53]
-30	3.020	[76.71]	2.900	[73.66]	2.900	[73.66]	2.995	[76.07]
-31	3.120	[79.25]	3.000	[76.20]	3.000	[76.20]	3.095	[78.61]
-32	3.220	[81.79]	3.100	[78.74]	3.100	[78.74]	3.195	[81.15]
-33	3.320	[84.33]	3.200	[81.28]	3.200	[81.28]	3.295	[83.69]
-34	3.420	[86.87]	3.300	[83.82]	3.300	[83.82]	3.395	[86.23]
-35	3.520	[89.41]	3.400	[86.36]	3.400	[86.36]	3.495	[88.77]
-36	3.620	[91.95]	3.500	[88.90]	3.500	[88.90]	3.595	[91.31]
-37	3.720	[94.49]	3.600	[91.44]	3.600	[91.44]	3.695	[93.85]
-38	3.820	[97.03]	3.700	[93.98]	3.700	[93.98]	3.795	[96.39]
-39	3.920	[99.57]	3.800	[96.52]	3.800	[96.52]	3.895	[98.93]
-40	4.020	[102.11]	3.900	[99.06]	3.900	[99.06]	3.995	[101.47]
-41	4.120	[104.65]	4.000	[101.60]	4.000	[101.60]	4.095	[104.01]
-42	4.220	[107.19]	4.100	[104.14]	4.100	[104.14]	4.195	[106.55]
-43	4.320	[109.73]	4.200	[106.68]	4.200	[106.68]	4.295	[109.09]
-44	4.420	[112.27]	4.300	[109.22]	4.300	[109.22]	4.395	[111.63]
-45	4.520	[114.81]	4.400	[111.76]	4.400	[111.76]	4.495	[114.17]
-46	4.620	[117.35]	4.500	[114.30]	4.500	[114.30]	4.595	[116.71]
-47	4.720	[119.89]	4.600	[116.84]	4.600	[116.84]	4.695	[119.25]
-48	4.820	[122.43]	4.700	[119.38]	4.700	[119.38]	4.795	[121.79]
-49	4.920	[124.97]	4.800	[121.92]	4.800	[121.92]	4.895	[124.33]
-50	5.020	[127.51]	4.900	[124.46]	4.900	[124.46]	4.995	[126.87]



SECTION "G"-"G"

SECTION "F"-"F"

*= CONTACTS MAY BE ORIENTED IN EITHER DIRECTION DURING FILL TO BEST MEET C6 TOLERANCE.

FIG 4
(PHF-1XX-01-X-D SHOWN)
(SAME AS FIG 1, EXCEPT AS SHOWN)

PROPRIETARY NOTE
THIS DOCUMENT CONTAINS INFORMATION CONFIDENTIAL AND PROPRIETARY TO SAMTEC, INC. AND SHALL NOT BE REPRODUCED OR TRANSFERRED TO OTHER DOCUMENTS OR DISCLOSED TO OTHERS OR USED FOR ANY PURPOSE OTHER THAN THAT WHICH IT WAS OBTAINED WITHOUT THE EXPRESSED WRITTEN CONSENT OF SAMTEC, INC.

DO NOT SCALE DRAWING
SHEET SCALE: 3:1



520 PARK EAST BLVD, NEW ALBANY, IN 47150
PHONE: 812-944-6733 FAX: 812-948-5047
e-Mail: info@SAMTEC.com code 55322

DESCRIPTION: .100 PRESS FIT SOCKET ASSEMBLY

DWG. NO. PHF-1XX-XX-X-X-XXX

BY: ROY LUO 9/3/2009 SHEET 3 OF 4

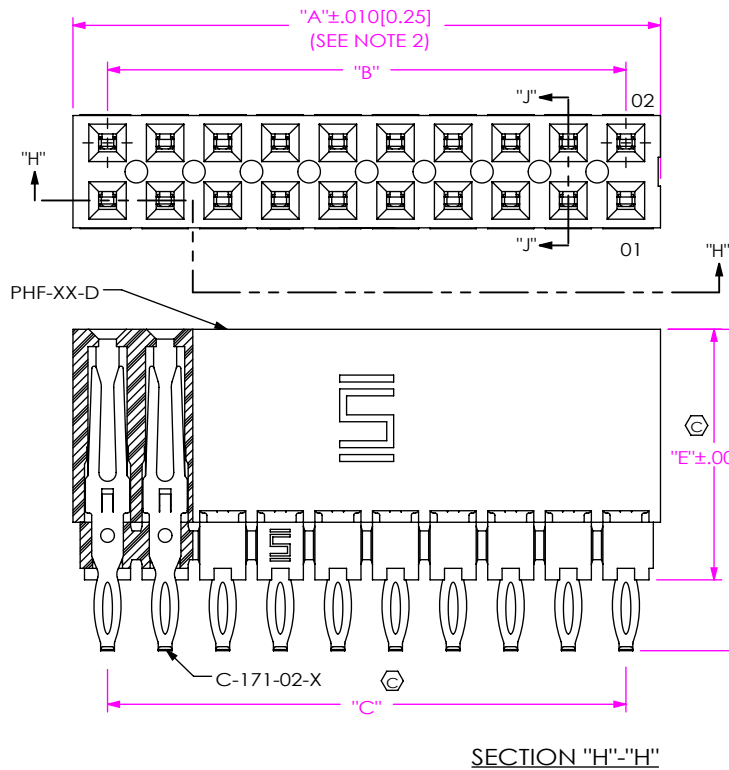


FIG 5
(PHF-1XX-02-X-D SHOWN)
(SAME AS FIG 4, EXCEPT AS SHOWN)

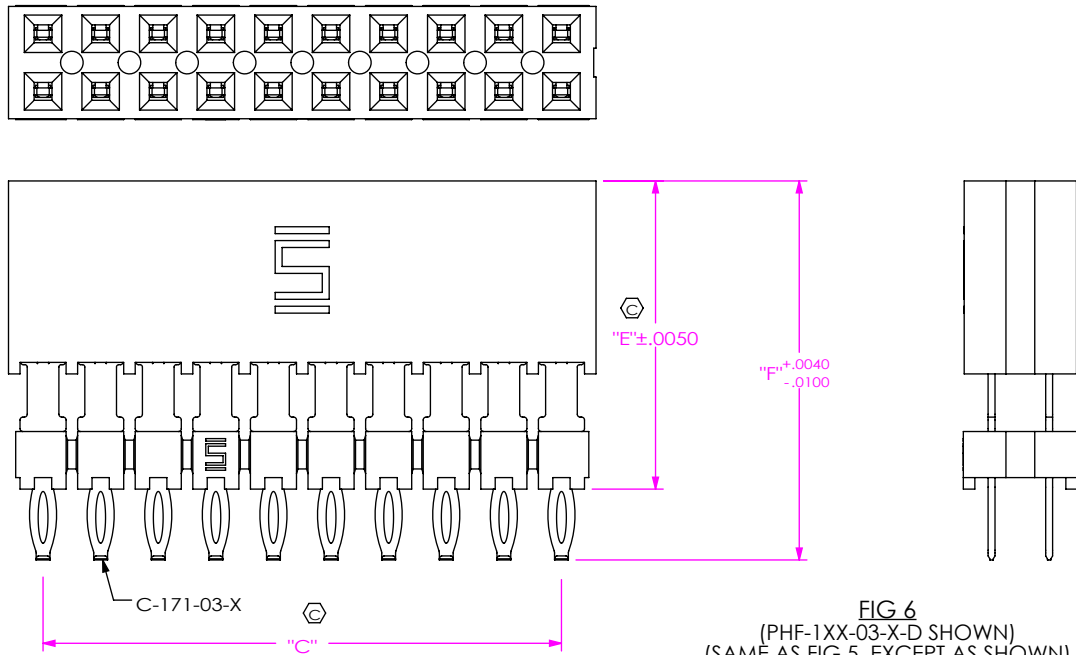
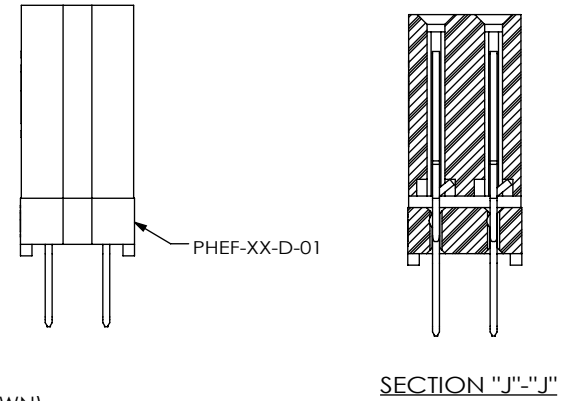
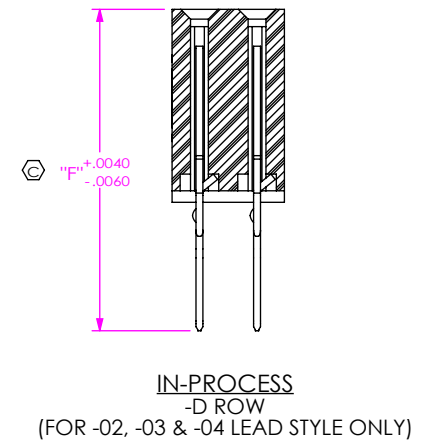


FIG 6
(PHF-1XX-03-X-D SHOWN)
(SAME AS FIG 5, EXCEPT AS SHOWN)
(FOR -03 & -04 LEAD STYLE ONLY)



PROPRIETARY NOTE
THIS DOCUMENT CONTAINS INFORMATION CONFIDENTIAL AND PROPRIETARY TO SAMTEC, INC. AND SHALL NOT BE REPRODUCED OR TRANSFERRED TO OTHER DOCUMENTS OR DISCLOSED TO OTHERS OR USED FOR ANY PURPOSE OTHER THAN THAT WHICH IT WAS OBTAINED WITHOUT THE EXPRESSED WRITTEN CONSENT OF SAMTEC, INC.

DO NOT SCALE DRAWING

SHEET SCALE: 3:1

samtec

520 PARK EAST BLVD, NEW ALBANY, IN 47150
PHONE: 812-944-6733 FAX: 812-948-5047
e-Mail: info@SAMTEC.com code 55322

DESCRIPTION: .100 PRESS FIT SOCKET ASSEMBLY

DWG. NO. PHF-1XX-XX-X-X-XXX

BY: ROY LUO 9/3/2009 SHEET 4 OF 4