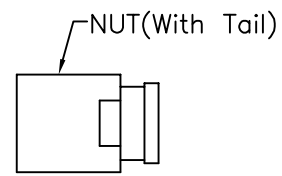
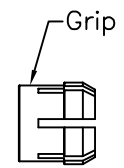
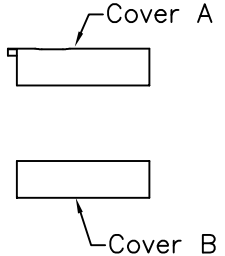
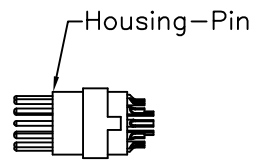
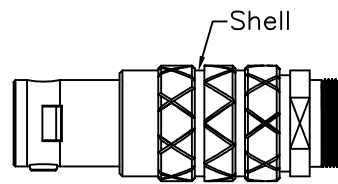
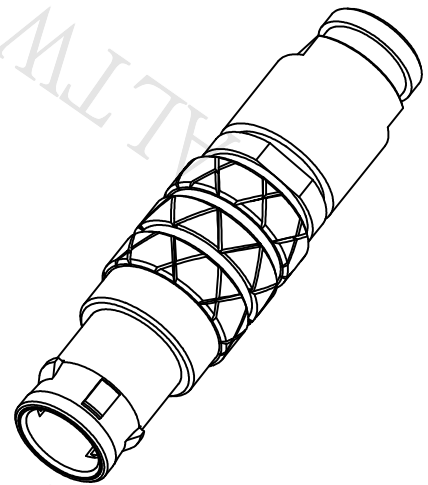
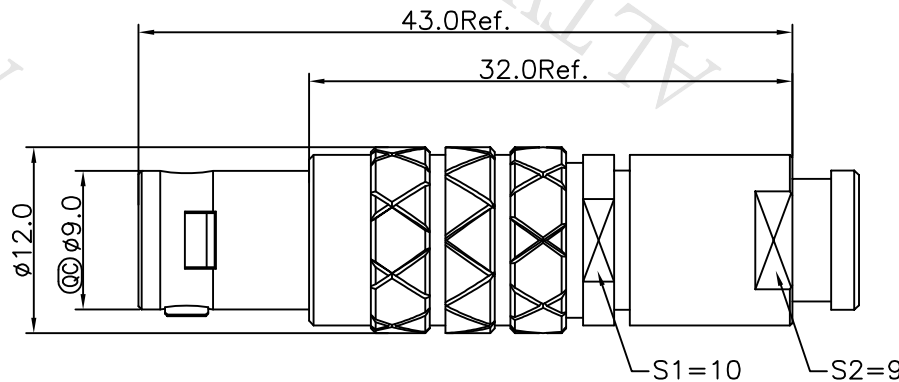


REV.	DESCRIPTION
01	New Initial.

THIS DOCUMENT IS SUBJECT TO CHANGE WITHOUT NOTICE. IT IS CONFIDENTIAL AND A PROPERTY OF Amphenol LTW. DISCLOSURE TO THIRD PARTY HAS TO BE AUTHORIZED BY Amphenol LTW.



Notes:
 * Ⓞ Important Dimensions To Check.
 * Male Pin: Copper Alloy, Gold Plated.

UNIT:mm	
TOLERANCE	
±0.5MM	

TITLE			
FLO 1B FI CONNECTOR			
SCALE	Free	SHEET	1 OF 2
REV.	A	SIZE	A4
Ⓞ :Inspection Item			

Amphenol LTW
 安費諾亮泰企業股份有限公司

ITEM NO	FLBC-XXFGMS-XCP-2XX
DWG NO	FLBC-XXFGMS-XCP-2XX
CUSTOMER	ALTW

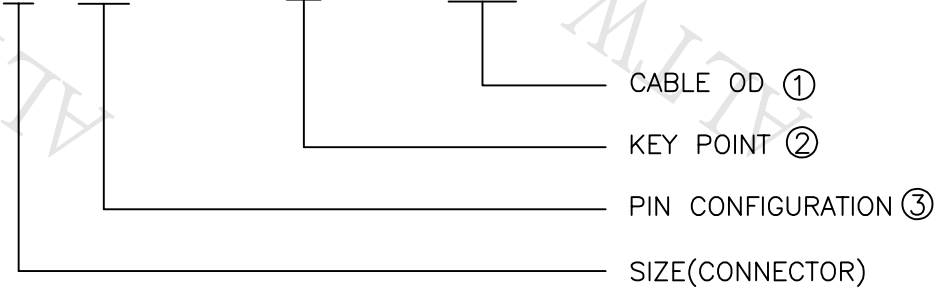
DRAWN BY	Ouyang	DATE	2018/09/06
CHECKED BY	Mafei	DATE	2018/09/06
APPROVED BY	Jerry	DATE	2018/09/06

THIS DOCUMENT IS SUBJECT TO CHANGE WITHOUT NOTICE. IT IS CONFIDENTIAL AND A PROPERTY OF Amphenol LTW. DISCLOSURE TO THIRD PARTY HAS TO BE AUTHORIZED BY Amphenol LTW.

1 2 3 4 5 6 7 8

1B-SERIES CABLE COLLET(CABLE OD)			
CABLE CLAMP SET		CABLE DIA RANGE	
TYPE	CODE ①	MAX	MIN
FLBC-XXFGMS-XCP-2XX	02	3.2	2.7
	04	4.2	3.2
	07	5.2	4.2
	11	6.2	5.2
	14	7.2	6.2

FLBC-XXFGMS-XCP-2XX



KEY POINT ②

CODE	G	A	B	C	J	F
	0°	30°	60°	90°	45°	155°
GRAPHIC						

PIN CONFIGURATION (Solder Definition) ③

GRAPHIC										
	2 PIN	3 PIN	4 PIN	5 PIN	6 PIN	7 PIN	8 PIN	10 PIN	14 PIN	16 PIN

UNIT:mm		TITLE FLO 1B FI CONNECTOR	
TOLERANCE ±0.5MM	SCALE Free	SHEET 2 OF 2	
REV. A	SIZE A4	◎ : Inspection Item	

Amphenol LTW
安費諾亮泰企業股份有限公司

ITEM NO FLBC-XXFGMS-XCP-2XX	DRAWN BY Ouyang	DATE 2018/09/06
DWG NO FLBC-XXFGMS-XCP-2XX	CHECKED BY Mafei	DATE 2018/09/06
CUSTOMER ALTW	APPROVED BY Jerry	DATE 2018/09/06

1 2 3 4 5 6 7 8 8WI0814-03-表單01A2