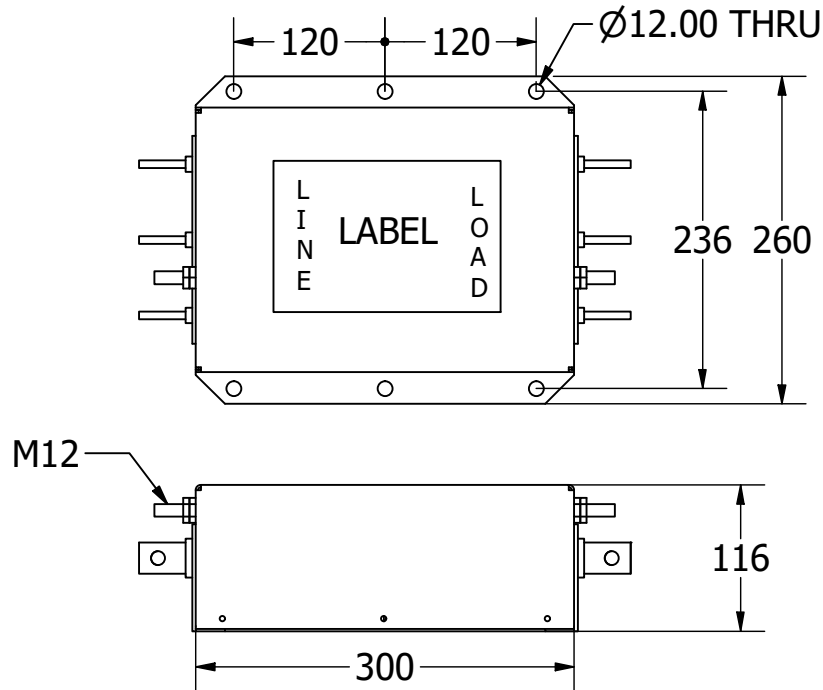
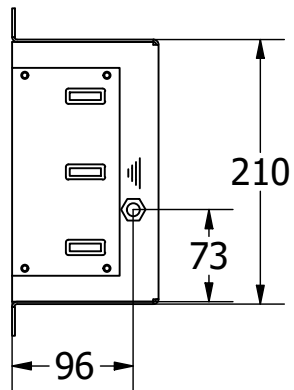
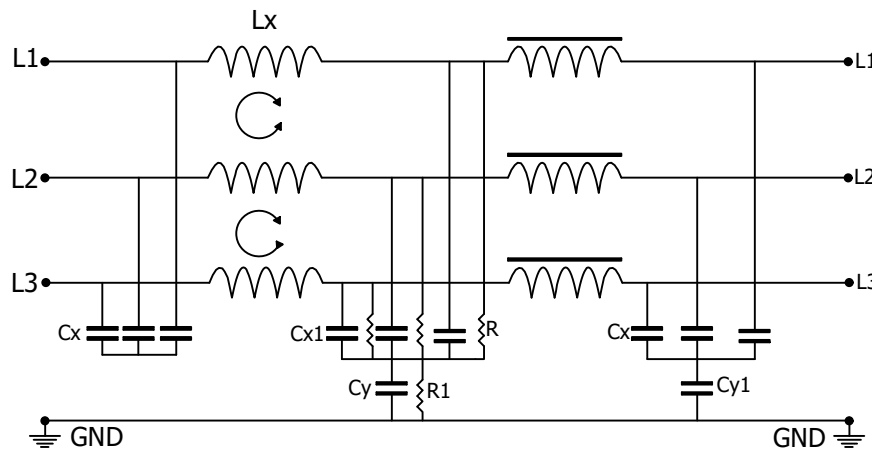


Mechanical Details



NOTES: UNLESS OTHERWISE SPECIFIED

1	TOLERANCE TO BE ± 1.0 mm.
2	ALL DIMENSIONS ARE IN MM
3	



ELECTRICAL SCHEMATIC

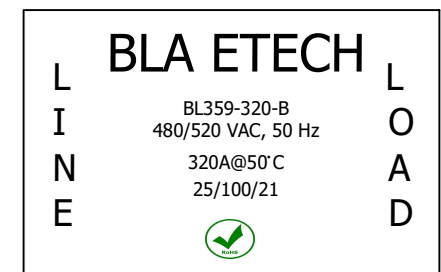
50 ohm - 50 ohm Typical Insertion Loss

FREQUENCY MHZ	0.01	0.1	0.5	1.0	2.0	5.0	10
COMMON DB	22	30	72	60	52	48	39
DIFFERENTIAL DB	11	47	82	69	63	52	40

SPECIFICATION

- 1) RATED VOLTAGE (MAX):
320 AMP, 480/520 VAC 50 HZ;
- 2) Hi-pot RATING (ONE MINUTE):
LINE TO GROUND: 2850 VDC
LINE TO LINE : 1500 VDC
- 3) MAXIMUM LEAKAGE LINE TO GROUND:
5.1mA @480/520 VAC 50 Hz;
- 4) CLIMATE CLASS: 25/100/21
TEMPRATURE RANGE: -25°C to +100°C
OVERLOAD CURRENT: 1.5x Rated ct. for 1 min.

PRODUCT LABEL



A	ISSUE	ECN	SUJIT	AJAY	AUG. 2019
REV.	DESCRIPTION		DWN	APVD.	APVD. DATE
		BLA ETECH PVT. LTD. A-42, Wazirpur Industrial Area New Delhi, 110052 Email: - ajay@blaetech.com			
DRAWN BY	VERIFIED BY	APPROVED BY	CHECKED DATE		
SUJIT	RISHABH	AJAY	07-AUG-2019		
DESC: THREE PHASE FILTER					PAGE: 1 Of 1
SERIES: BL359		PART NO.: BL359-320-B			

