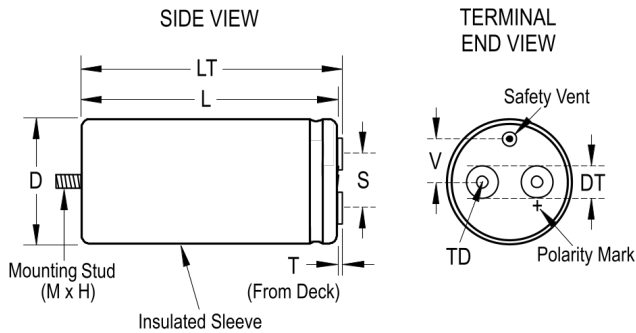


## ALS31M472NP450

Aliases (A431TS472M450M)

Obsolete

ALS31, Aluminum Electrolytic, 4,700 uF, 20%, 450 VDC, -40/+85°C



### Dimensions

D	77mm +/-1mm
L	146mm +/-2mm
T	7.14mm +/-0.5mm
S	31.8mm +/-0.5mm
DT	8mm +/-0.5mm
LT	150.5mm +/-1mm
TD	10mm MIN
V	19mm NOM

### Packaging Specifications

Sleeving	Yes
Packaging	Bulk, Box

### General Information

Series	ALS31
Dielectric	Aluminum Electrolytic
Description	Screw Terminal, Aluminum Electrolytic
RoHS	Yes
AEC-Q200	No
Component Weight	960 g
Notes	Dimensions D And L Include Sleeving. Dimension LT Available On Request. MS (MxH) = M12x16.
Shelf Life	156 Weeks

### Specifications

Capacitance	4,700 uF
Capacitance Tolerance	20%
Voltage DC	450 VDC
Temperature Range	-40/+85°C
Rated Temperature	85°C
Life	20000 Hrs (Rated Voltage And Ripple Current At 85C), 40000 Hrs (Rated Voltage At 85C)
Resistance	36 mOhms (100Hz 20C), 26 mOhms (10kHz 20C)
Ripple Current	17.1 Amps (100Hz 85C), 25.2 Amps (10kHz 85C)
Leakage Current	6000 uA (5min 20°C)