



## ADP-SMAF-SMPF-G

### SMA Jack to SMP Jack Adapter

The ADP-SMAF-SMPF-G is an SMA jack to SMP jack adapter. Operating from 0 GHz to 20 GHz, the ADP-SMAF-SMPF-G combines superior performance, compact size, and a convenient snap-on mating interface to provide a reliable, easy-to-use adapter. Linx SMP adapters are ideal for making board-to-board connections. Additionally, all Linx adapters meet RoHS lead free standards and are tested to meet requirements for corrosion resistance, vibration, mechanical and thermal shock.

#### FEATURES

- 0 to 20 GHz operation
- Gold plating
  - Superior corrosion resistance
- SSMA jack (female socket) connection
  - Gold plated beryllium copper center contact
- SMP jack (female socket) connection
  - Gold plated beryllium copper center contact
- Ideal for board-to-board connections

#### APPLICATIONS

- Cellular IoT
  - LTE-M (Cat-M1), NB-IoT
- Cellular
  - 5G/4G LTE/3G/2G
- WiFi/WLAN
  - WiFi 6/6E
- GNSS
  - GPS, Galileo, BeiDou, QZSS
- Radar, Satellite Communications, Experimental
- Industrial, Commercial, Enterprise

#### ORDERING INFORMATION

Part Number	Description
ADP-SMAF-SMPF-G	SMA jack (female socket) to SMP jack (female socket) adapter

Available from Linx Technologies and select distributors and representatives.

## TABLE 1. ELECTRICAL SPECIFICATIONS

Frequency Range		
Impedance	50 $\Omega$	
Frequency Range	0 to 20 GHz	
Voltage Rating	750 V RMS	
Contact Resistance	Center: $\leq 6.0$ m $\Omega$ Outer: $\leq 2.0$ m $\Omega$	
Select Frequencies	5 GHz to 7.125 GHz	12 GHz to 18 GHz
Insertion Loss (dB max.)	0.16	0.18
VSWR (max.)	1.1	1.2

## PRODUCT DIMENSIONS

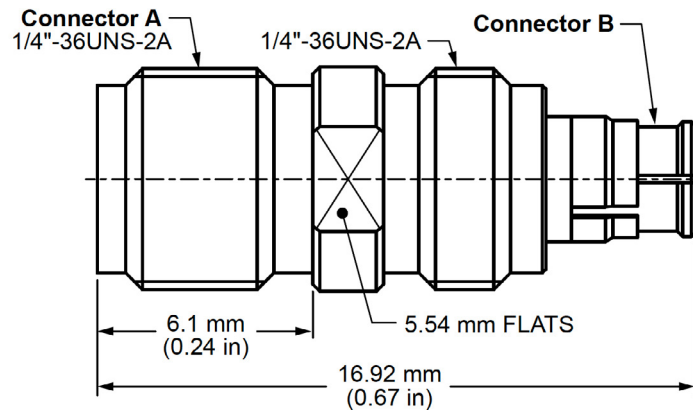


Figure 1. Product Dimensions for the ADP-SMAF-SMPF-G Adapter

## TABLE 2. ADAPTER COMPONENTS

ADP-SMAF-SMPF-G	Connector A SMA jack (female socket)		Connector A SMP jack (female socket)	
	Material	Finish	Material	Finish
Connector Part	Brass	Gold	Brass	Gold
Body	Beryllium Copper	Gold	Beryllium Copper	Gold
Center Contact	PTFE	-	PTFE	-
Insulator				

## ADAPTER PERFORMANCE

Table 3 shows insertion loss and VSWR values for the ADP-SMAF-SMPF-G adapter at commonly used frequencies.

Insertion loss is the loss of signal power (gain) resulting from the insertion of a device in a transmission line. VSWR describes how efficiently power is transmitted through the adapter. A lower VSWR value indicates better performance at a given frequency.

## TABLE 3. INSERTION LOSS AND VSWR FOR THE ADP-SMAF-SMPF-G ADAPTER

Band	Low-Band Cellular/ ISM/LPWA	GNSS, Midband Cellular, Wifi	WiFi 6E	Ku
Frequency Range	400 MHz to 960 MHz	1.1 GHz to 5 GHz	5 GHz to 7.125 GHz	12 GHz to 18 GHz
Insertion Loss (dB max.)	0.07	0.15	0.16	0.18
VSWR (max.)	1.0	1.1	1.1	1.2

**TABLE 4. MECHANICAL SPECIFICATIONS**

ADP-SMAF-SMPF-G	Connector A SMA jack (female socket)	Connector B SMP jack (female socket)
Mounting Type	Inline, Free-hanging	
Fastening Type	1/4"-36UNS Threaded Coupling	Snap-on Coupling
Interface in Accordance with	MIL-STD-348A	MIL-STD-348B
Recommended Torque	0.57 N·m (5.0 in·lbs)	n/a
Coupling Nut Retention	60 lbs min.	n/a
Durability	500 cycles min.	500 cycles min.
Weight	1.88 g (0.07 oz)	

**TABLE 5. ENVIRONMENTAL SPECIFICATIONS**

MIL-STD, Method, Test Condition	
Corrosion (Salt spray)	MIL-STD-202 Method 101 test condition B
Thermal Shock	MIL-STD-202 Method 107 test condition C
Vibration	MIL-STD-202 Method 204 test condition B
Mechanical Shock	MIL-STD-202 Method 213 test condition B
Moisture Resistance	MIL-STD-202 Method 106 test condition D
Temperature Range	-65 °C to +165 °C
Environmental Compliance	RoHS

**PACKAGING INFORMATION**

The ADP-SMAF-SMPF-G adapter is sealed in a plastic bag of 100 pcs. Distribution channels may offer alternative packaging options.

---

## TE TECHNICAL SUPPORT CENTER

USA:	+1 (800) 522-6752
Canada:	+1 (905) 475-6222
Mexico:	+52 (0) 55-1106-0800
Latin/S. America:	+54 (0) 11-4733-2200
Germany:	+49 (0) 6251-133-1999
UK:	+44 (0) 800-267666
France:	+33 (0) 1-3420-8686
Netherlands:	+31 (0) 73-6246-999
China:	+86 (0) 400-820-6015

## te.com

TE Connectivity, TE, TE connectivity (logo), Linx and Linx Technologies are trademarks owned or licensed by the TE Connectivity Ltd. family of companies. All other logos, products and/or company names referred to herein might be trademarks of their respective owners.

The information given herein, including drawings, illustrations and schematics which are intended for illustration purposes only, is believed to be reliable. However, TE Connectivity makes no warranties as to its accuracy or completeness and disclaims any liability in connection with its use. TE Connectivity's obligations shall only be as set forth in TE Connectivity's Standard Terms and Conditions of Sale for this product and in no case will TE Connectivity be liable for any incidental, indirect or consequential damages arising out of the sale, resale, use or misuse of the product. Users of TE Connectivity products should make their own evaluation to determine the suitability of each such product for the specific application.

TE Connectivity warrants to the original end user customer of its products that its products are free from defects in material and workmanship. Subject to conditions and limitations TE Connectivity will, at its option, either repair or replace any part of its products that prove defective because of improper workmanship or materials. This limited warranty is in force for the useful lifetime of the original end product into which the TE Connectivity product is installed. Useful lifetime of the original end product may vary but is not warranted to exceed one (1) year from the original date of the end product purchase.

©2022 TE Connectivity. All Rights Reserved.

11/22 Original