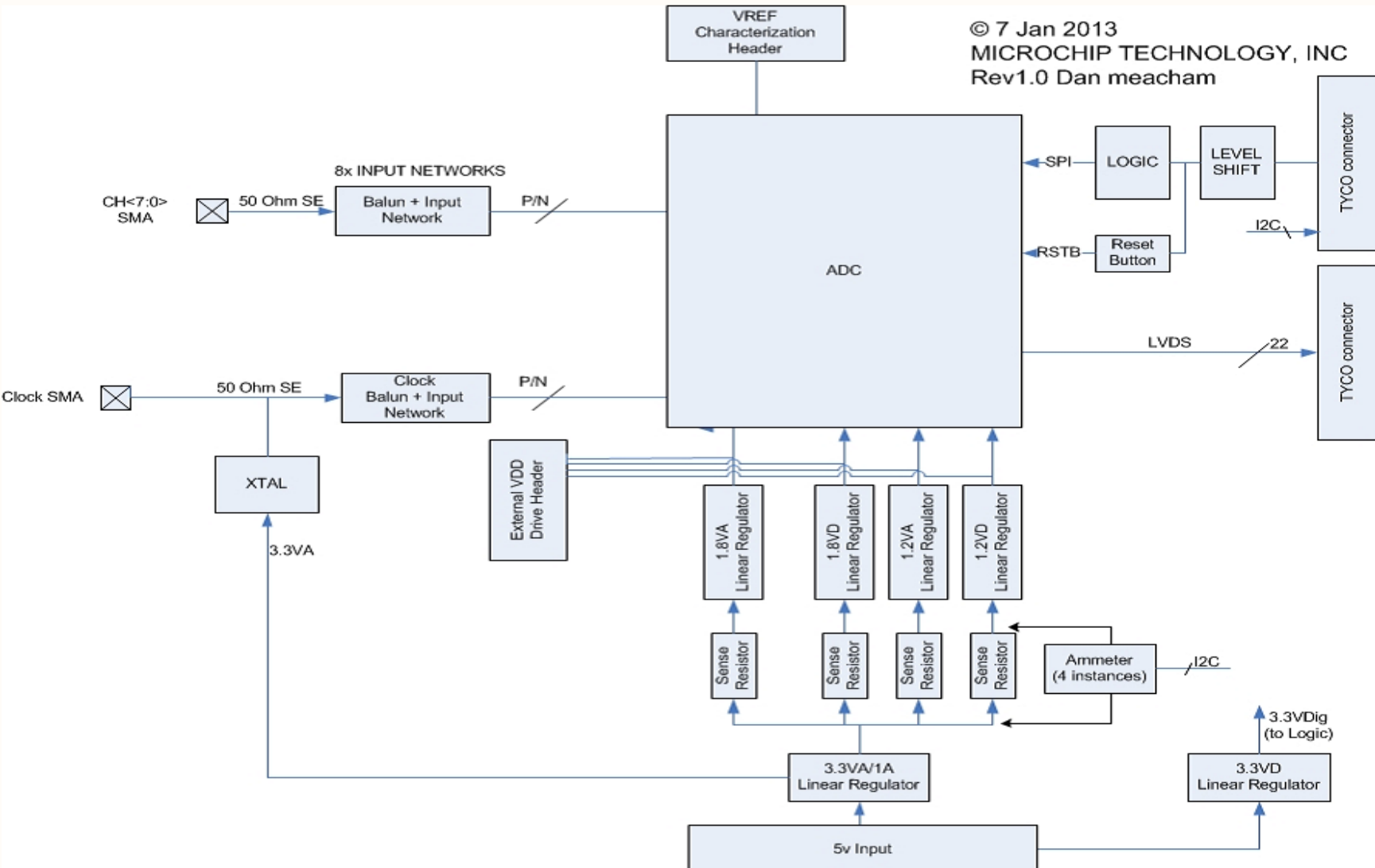
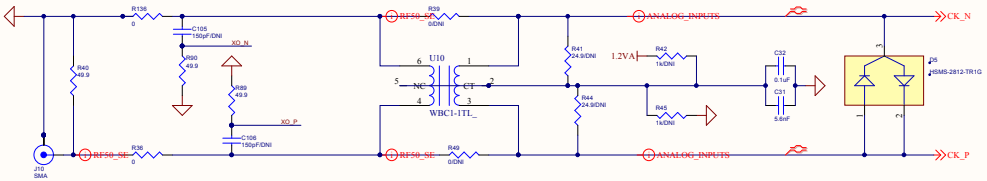
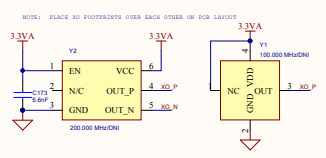
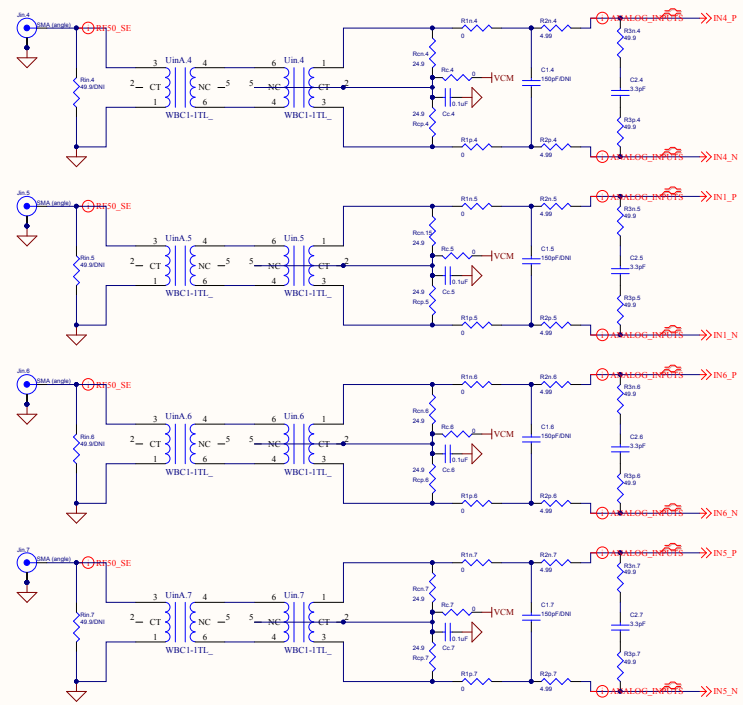
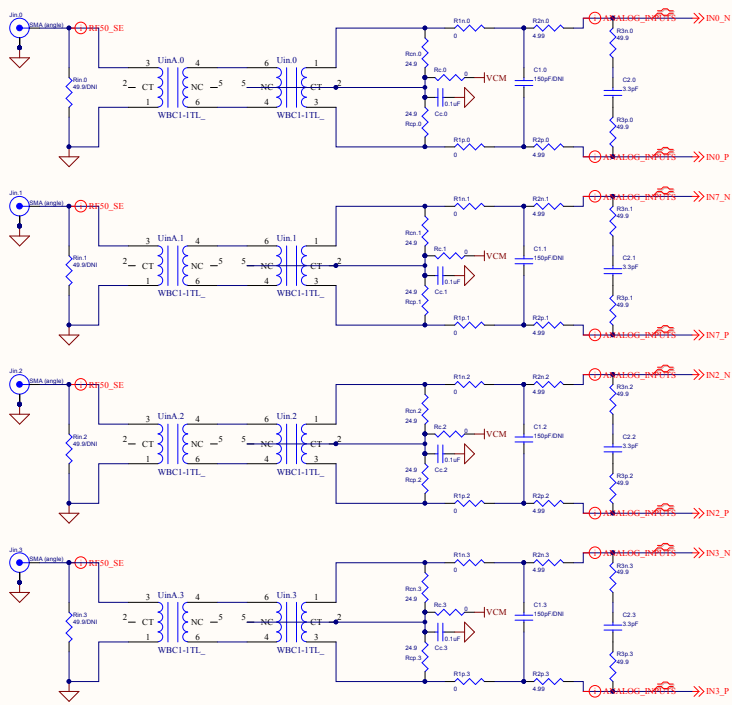


© 7 Jan 2013
 MICROCHIP TECHNOLOGY, INC
 Rev1.0 Dan meacham

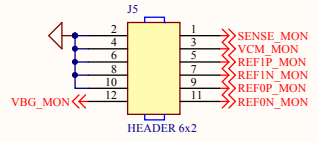
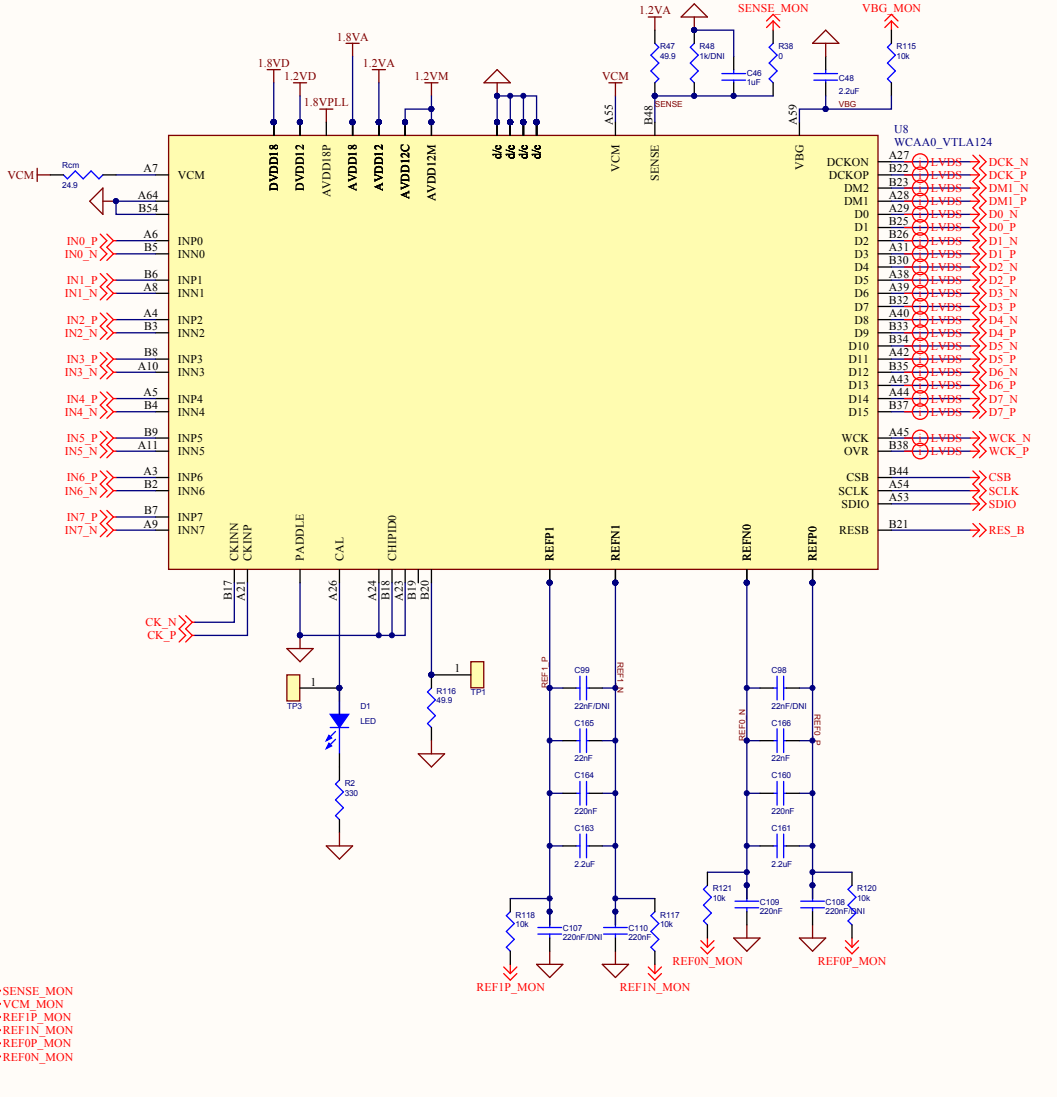
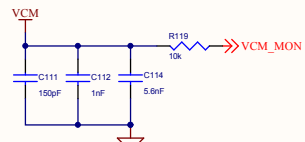
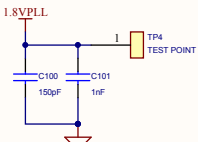
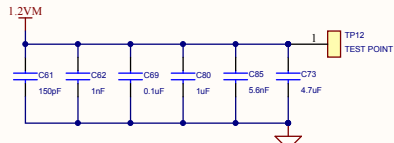
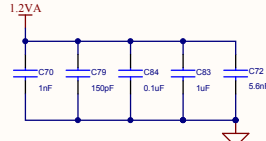
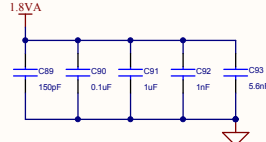
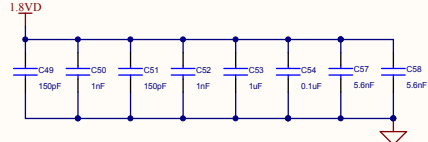
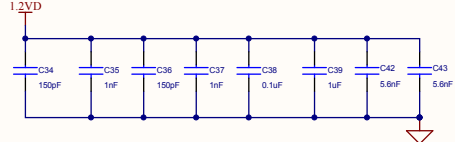


Title		
BLOCK DIAGRAM		
Size	Document Number	Rev
	Microchip WCAA0 124VTLA OCTAL-INPUT evaluation board (ADM0505)	Rev0
Date:	Sheet	1 of 6

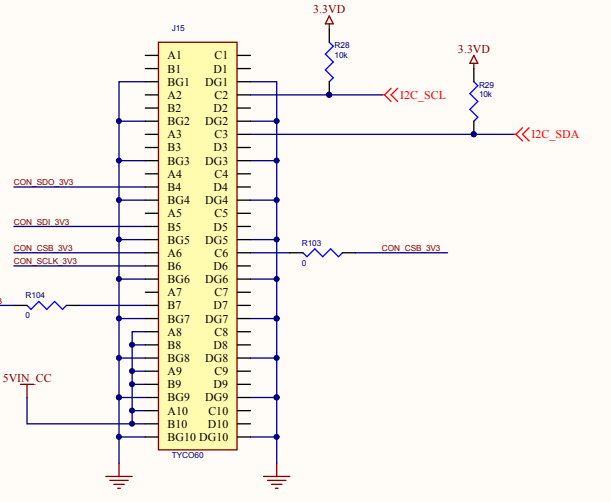
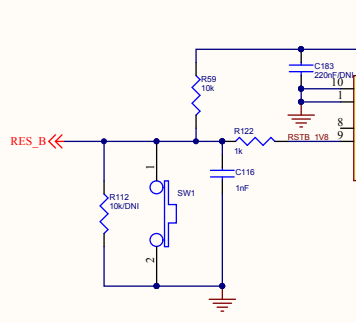
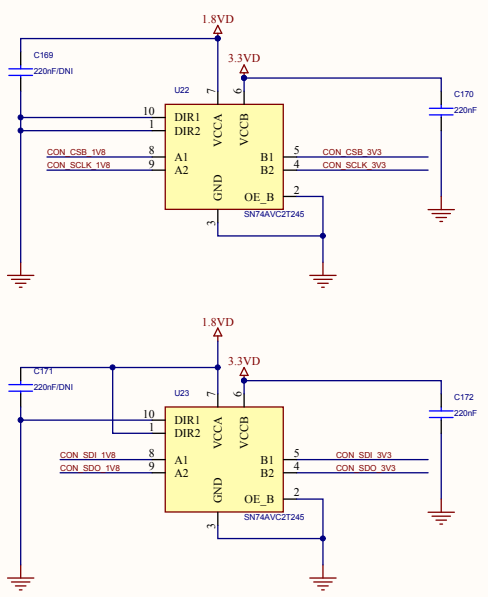
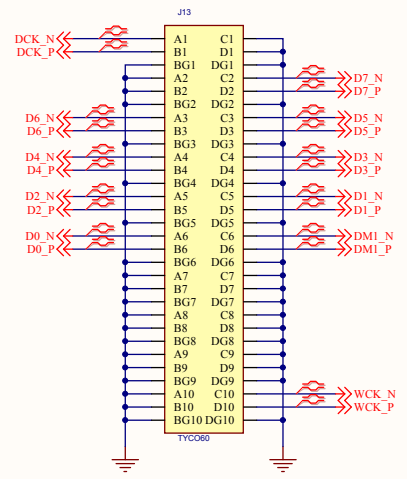
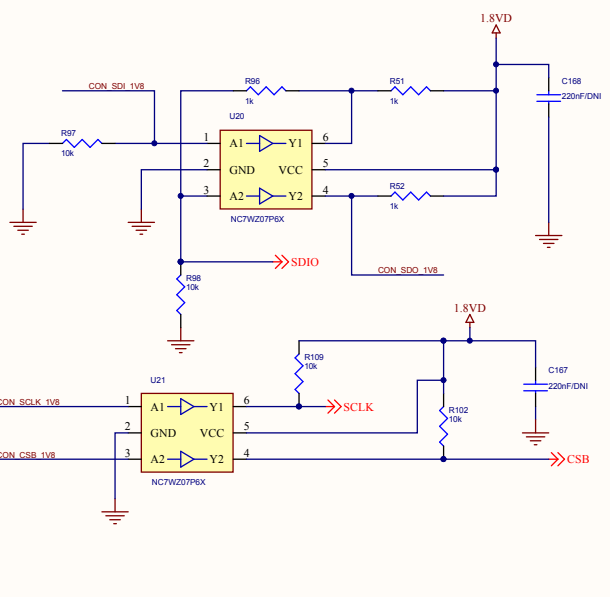
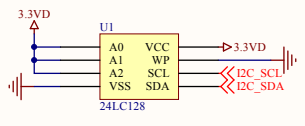
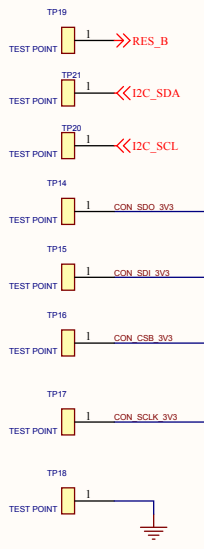


File	INPUTS and CLOCK		
Doc	Docuement Number		Rev
	Microchip WCAAS 124VTLA OCTAL-INPUT evaluation board (ADM00555)		REV3
Date	Time	3	11

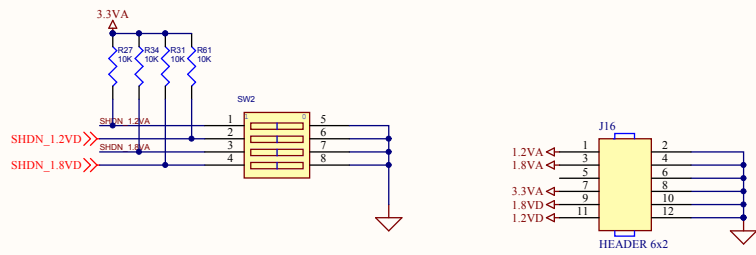
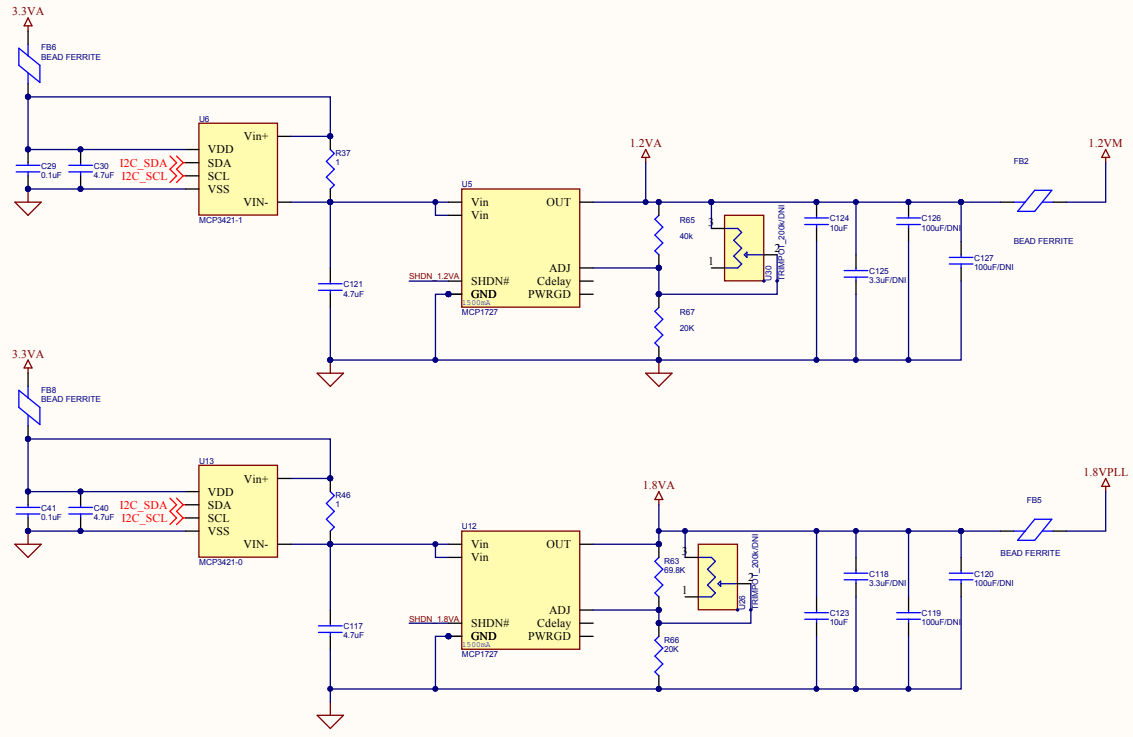
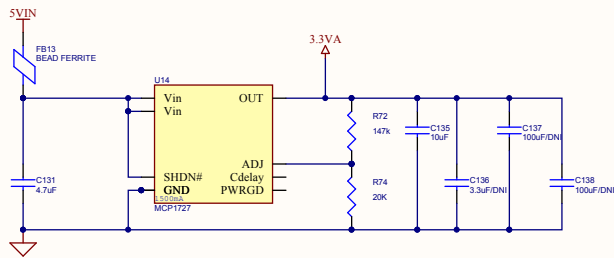
NOTE: PLACE ALL DECOUPLING CAPS CLOSE TO CHIP. PLACE (150pF 1nF) PAIRS NEAR EACH PIN. PLACE EACH (5.6nF 100pF) PAIR NEAR VOLTAGE BANK.



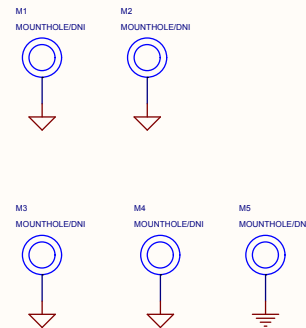
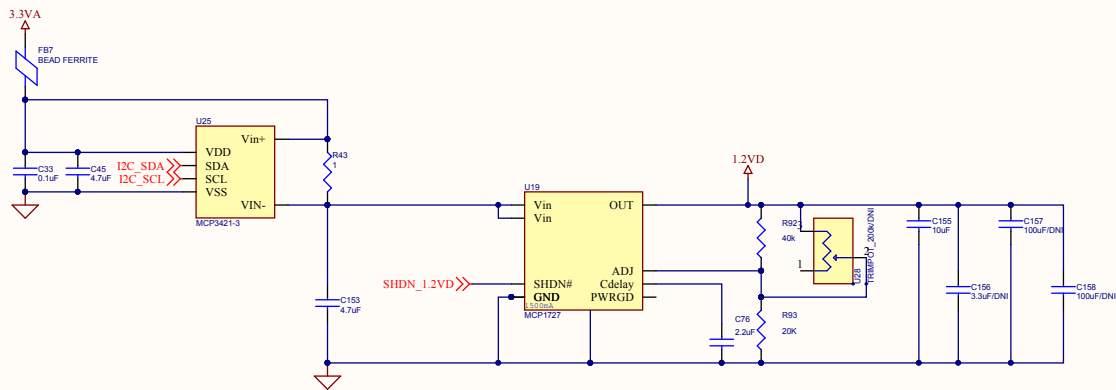
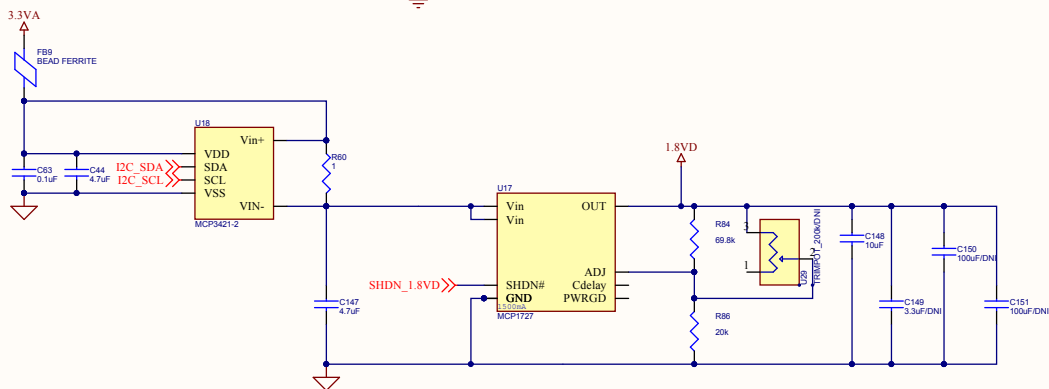
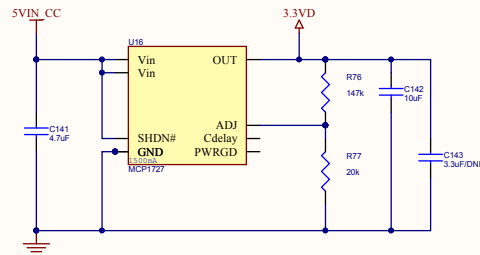
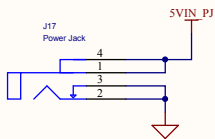
File		DUT and REFERENCES	
Size	Document Number	Rev	REV3
Microchip WCAA0 124VTLA OCTAL-INPUT evaluation board (ADM00505)			
Date:		Sheet	3 of 6



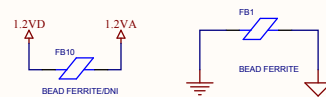
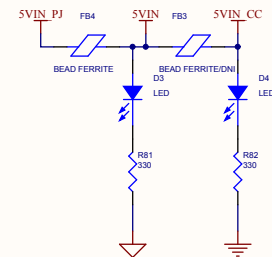
Title		
CONNECTORS and SPI		
Size	Document Number	Rev
	Microchip WCA00 124VTLA OCTAL-INPUT evaluation board (ADM0505)	REV3
Date:	Sheet	4 of 6



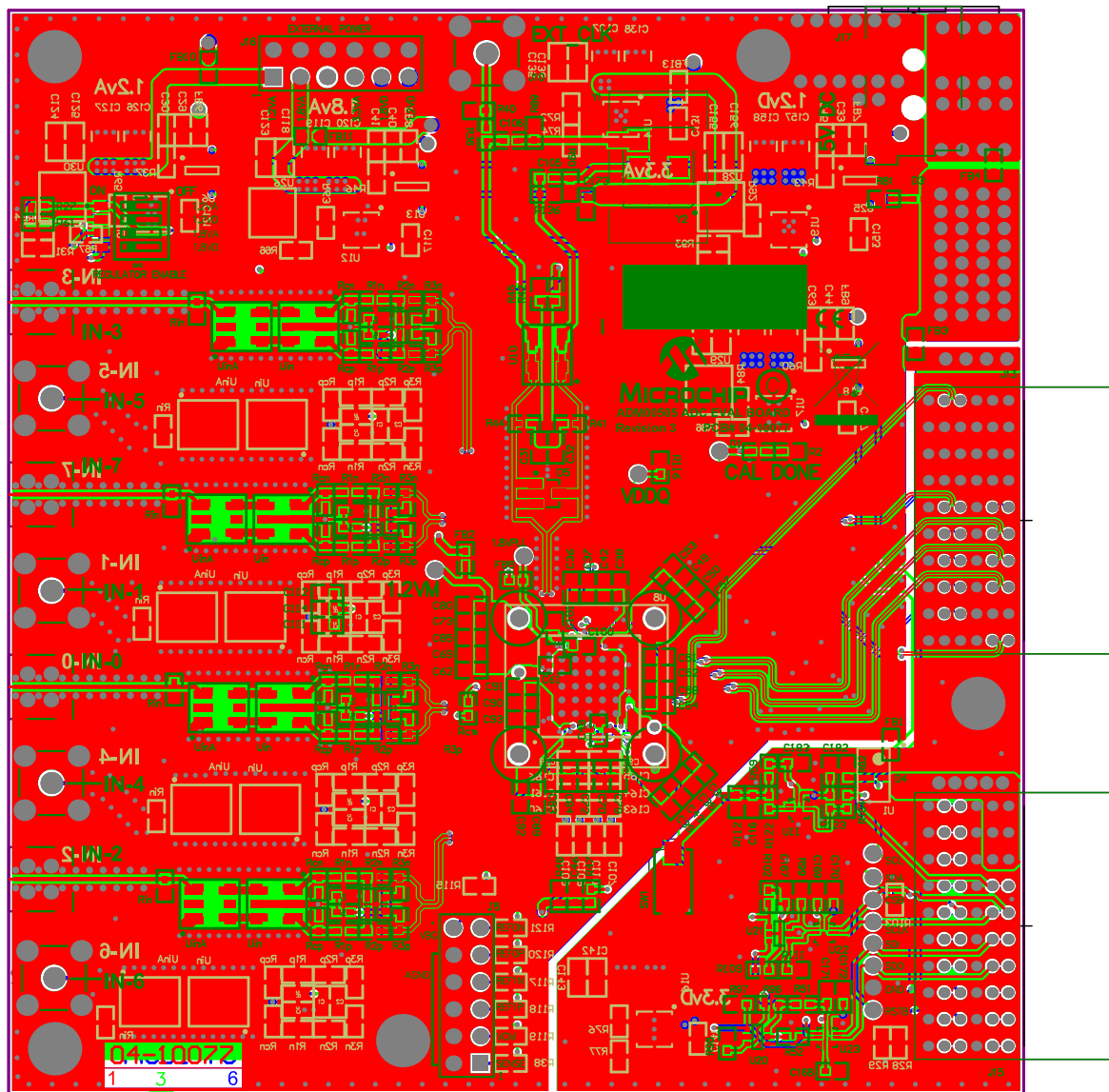
File		
ANALOG REGULATORS		
Size	Document Number	Rev
	Microchip WCA40 124VTLA OCTAL-INPUT evaluation board (ADM0505)	REV3
Date:		Sheet 5 of 6



NOTE: PCB MAY BE POWERED FROM EXTERNAL POWER JACK OR CAPTURE CARD INTERFACE



Title		
DIGITAL REGULATORS		
Size	Document Number	Rev
	Microchip WCA00 124VTLA OCTAL-INPUT evaluation board (ADM00505)	REV3
Date:		Sheet 6 of 6



© Microchip Corporation

Name:

ADM00505

REV:

Rev 3

DATE:

13 June 2014

DAN MEACHAM

GERBER:

ADM00505_TOP(SLK)