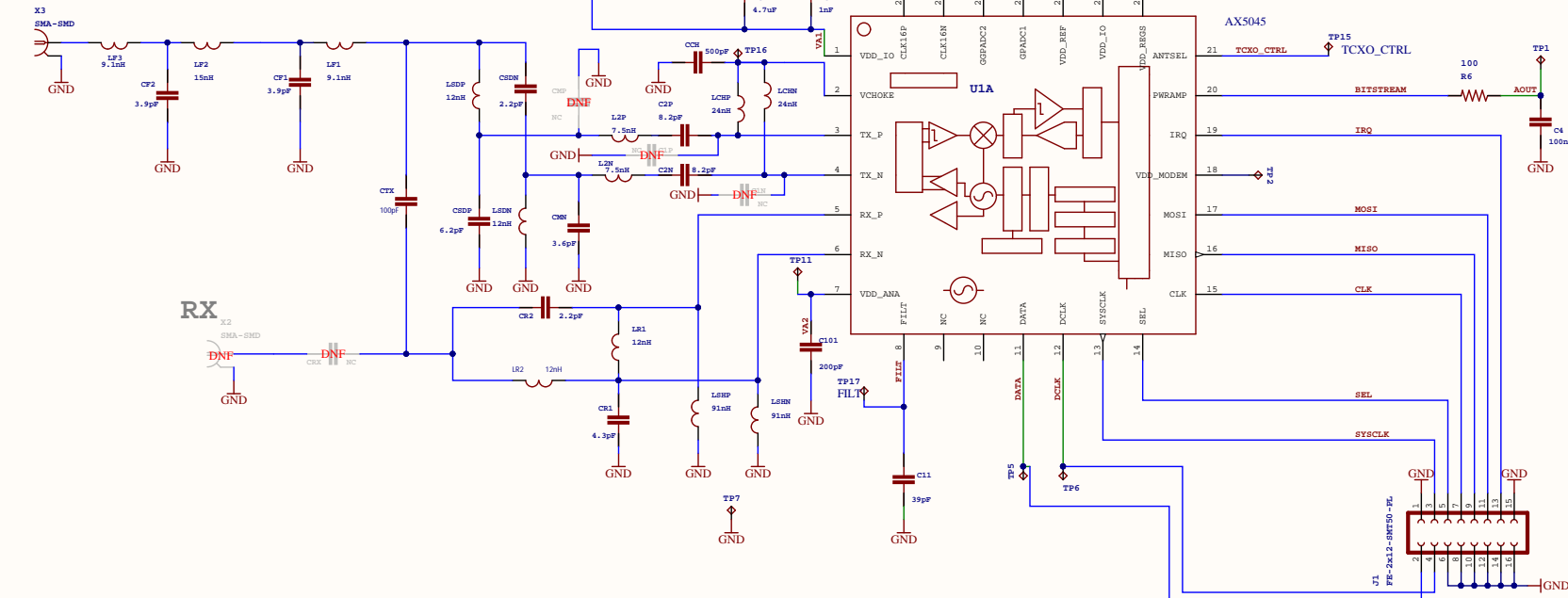


915-1

TX/RX



ADD-ON AX5045 ADD5045-915-1-GEVB		Assembly variant: Standard_Board	State: Released
Revision: 4.1.E	Repository revision: 4.1.E_Final		ON Semiconductor Ultra Low Power - QCS
Engineer: Lucas Lupifieri	12/03/2021		
File: ADD5045_915_1_GEVK.SchDoc	1/*		

