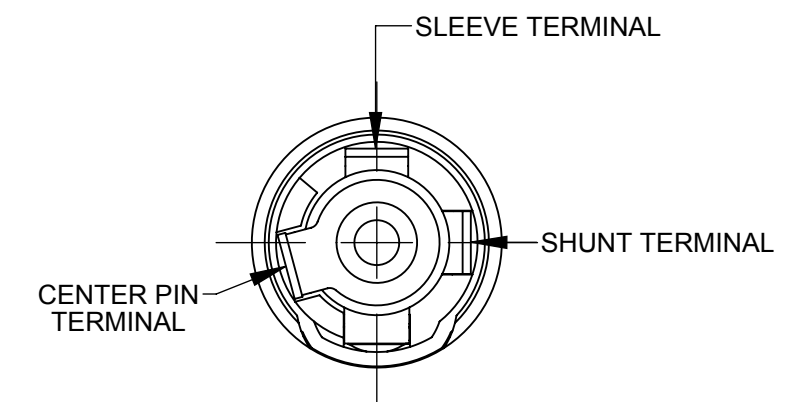
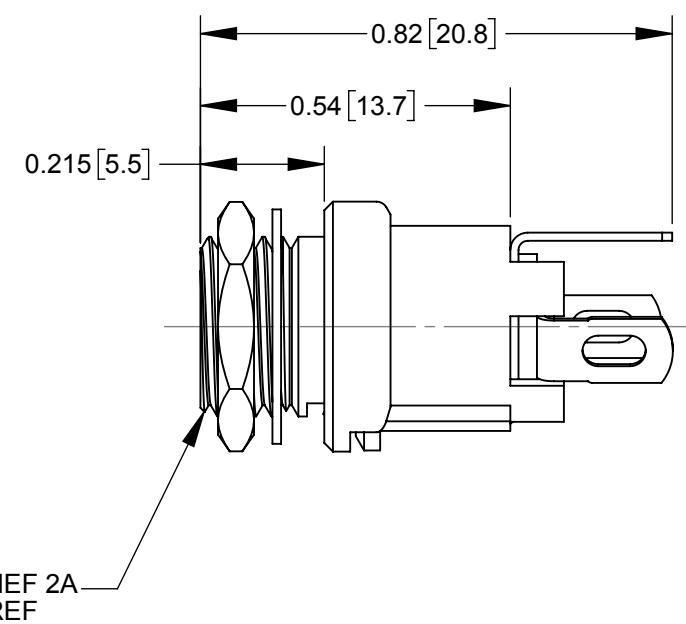
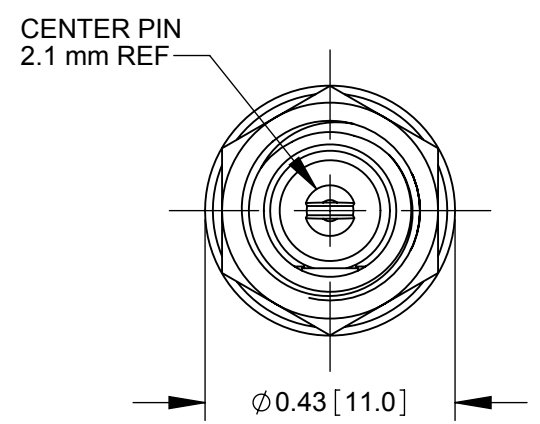
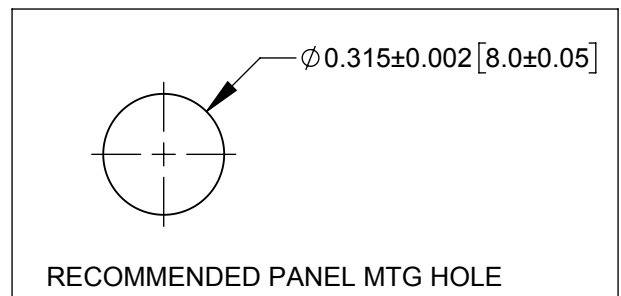
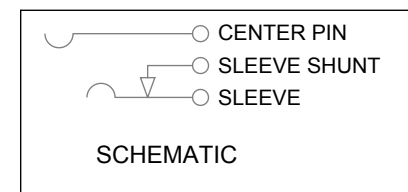
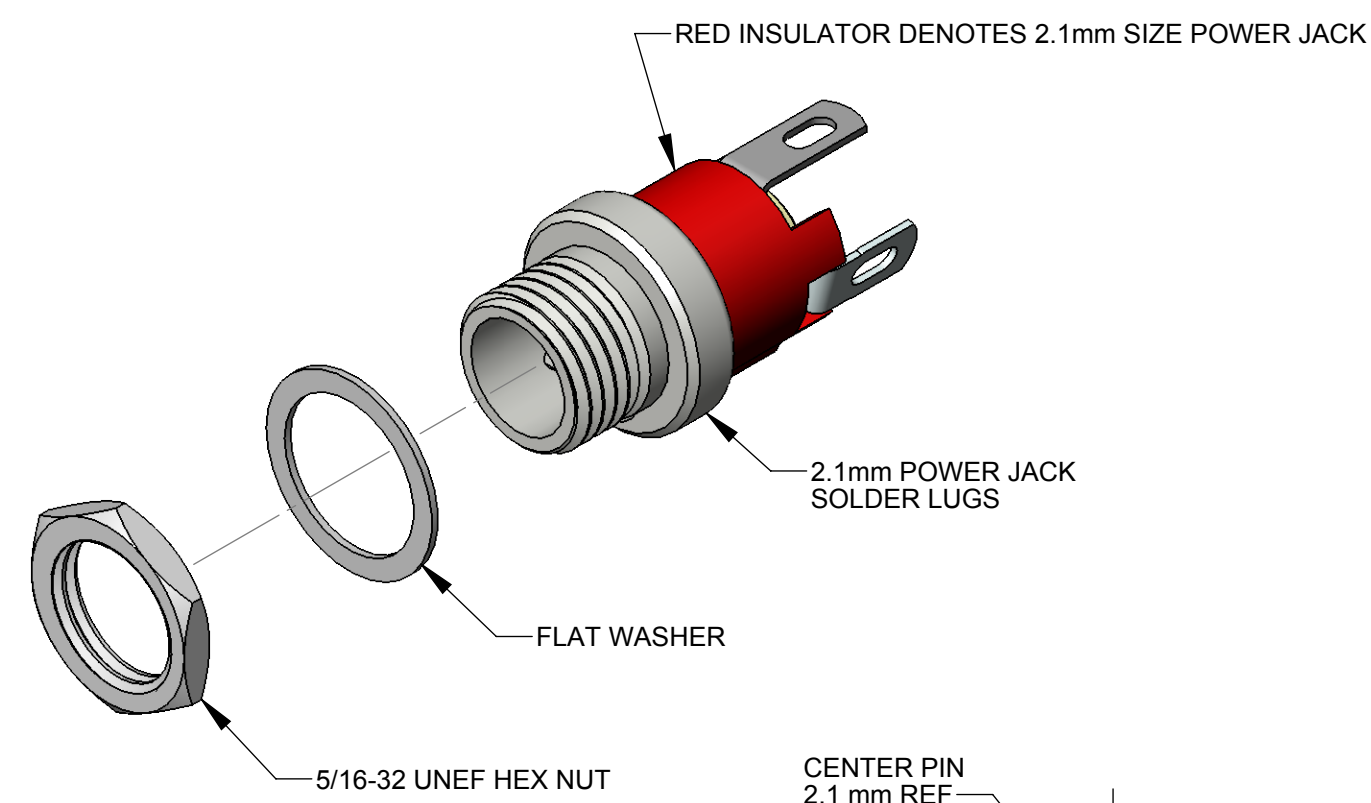


PART NUMBER	DESCRIPTION	SWITCHCRAFT MATING 2.1mm POWER PLUGS
721A	2.1mm POWER JACK, SOLDER LUGS	762, 763, 762K, 763K



- NOTES:
- DIMENSIONS SHOWN FOR REFERENCE ONLY.
 - HEX NUT AND FLAT WASHER SUPPLIED UNASSEMBLED.
 - MATERIAL:
HOUSING, HEX NUT - COPPER ALLOY, NICKEL PLATED
INSULATOR HOUSING - THERMOPLASTIC, RED
TERMINAL INSULATORS - PHENOLIC
FLAT WASHER - STEEL, NICKEL PLATED
PIN, SPRING, TERMINALS - COPPER ALLOY, SILVER PLATED
 - THESE PRODUCTS ARE RoHS COMPLIANT

CUSTOMER DRAWING

REV	ECO NUMBER	DATE	BY	APVD
0A	PRELIMINARY	02/06/17	PNK	SRC
REVISIONS				

UNLESS OTHERWISE SPECIFIED

- ALL DIMENSIONS IN INCHES
- TWO PLACE DECIMALS ± 0.02
- THREE PLACE DECIMALS ± 0.005

DO NOT SCALE DRAWING

THIS DRAWING DESCRIBES A DESIGN CONSIDERED PROPRIETARY IN NATURE, DEVELOPED AND MANUFACTURED BY SWITCHCRAFT INC. AND IS RELEASED ON A CONFIDENTIAL BASIS FOR IDENTIFICATION PURPOSES ONLY.									
SIZE	WIDTH	MULT	LBS/M	TEMPER					
FINISH					MATERIAL				
SPEC No.					SPEC No.				
FIRST USED ON			SCALE						
			3:1						
DATE DRAWN	BY	CHKD	APVD						
02/06/17	PNK	PNK	SRC						
		02/06/17	02/06/17	SHEET 1 OF 1					
NAME			PART No.		REV				
2.1mm POWER JACKS SOLDER LUGS, RoHS			721A		0A				