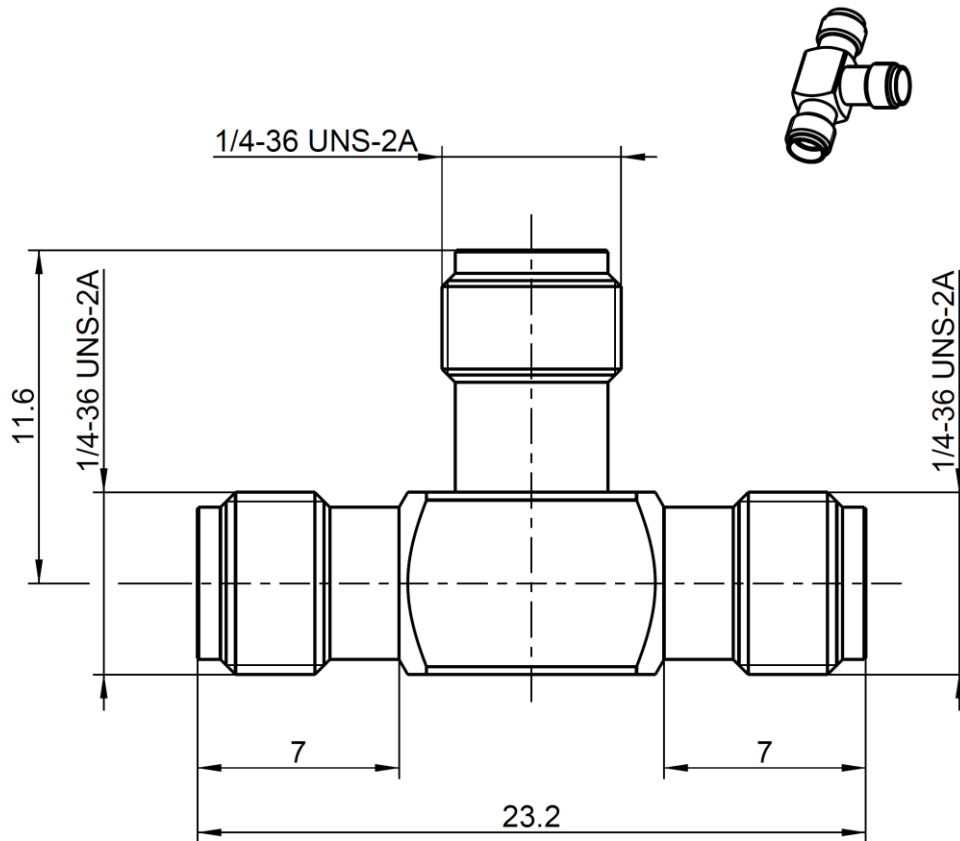


SMA

Adaptor
SMA Jack - Jack - Jack

32K301-K00L5



All dimensions are in mm; tolerances according to ISO 2768 m-H

Interface

According to IEC 60169-15, EN 122110, MIL-STD-348A, Fig. 310

Documents

N/A

Material and plating

Connector parts

Center contact	CuBe
Outer contact	CuBe or equiv.
Dielectric	PTFE

Plating

AuroDur®, gold plated
AuroDur®, gold plated

Dieses Dokument ist urheberrechtlich geschützt • This document is protected by copyright • Rosenberger Hochfrequenztechnik GmbH & Co. KG

RF_35/09.14/6.2

SMA

Adaptor
SMA Jack - Jack - Jack

32K301-K00L5

Electrical data

Impedance 50 Ω
 Frequency DC to 12.4 GHz
 Insulation resistance ≥ 5 x10³ MΩ
 Center contact resistance ≤ 3 mΩ
 Outer contact resistance ≤ 2 mΩ
 Test voltage 1000 V rms
 Working voltage 480 V rms
 Power handling (at 20 °C, sea level, VSWR 1.0) ≤ 200 W @ 2 GHz
 RF-leakage ≥ 100 dB up to 1 GHz

Mechanical data

Mating cycles min. 500
 Coupling nut retention ≥ 270 N
 Center contact captivation: axial ≥ 27 N
 radial ≥ 3 Ncm
 Coupling test torque max. 1.7 Nm
 Recommended torque 0.8 Nm to 1.1 Nm

Environmental data

Temperature range -65°C to +165°C
 Thermal shock MIL-STD-202, Meth. 107, Cond. B
 Corrosion MIL-STD-202, Meth. 101, Cond. B
 Vibration MIL-STD-202, Meth. 204, Cond. D
 Shock MIL-STD-202, Meth. 213, Cond. I
 Moisture resistance MIL-STD-202, Meth. 106
 RoHS compliant

Tooling

N/A

Suitable cables

N/A

Weight

Weight 4.9 g/pce

While the information has been carefully compiled to the best of our knowledge, nothing is intended as representation or warranty on our part and no statement herein shall be construed as recommendation to infringe existing patents. In the effort to improve our products, we reserve the right to make changes judged to be necessary.

For the installation of the electrotechnical equipment, particular electrotechnical expertise is required.



Dieses Dokument ist urheberrechtlich geschützt • This document is protected by copyright • Rosenberger Hochfrequenztechnik GmbH & Co. KG

RF_35/09.14/6.2

Draft	Date	Approved	Date	Rev.	Engineering change number	Name	Date
Rong Fang	31.03.04	Chr. Janßen	09.11.20	f00	20-1927	S. Huber-Siegl	09.11.20
Rosenberger Hochfrequenztechnik GmbH & Co. KG P.O.Box 1260 D-84526 Tittmoning Germany www.rosenberger.de				Tel. : +49 8684 18-0 Email : info@rosenberger.de			Page 2 / 2