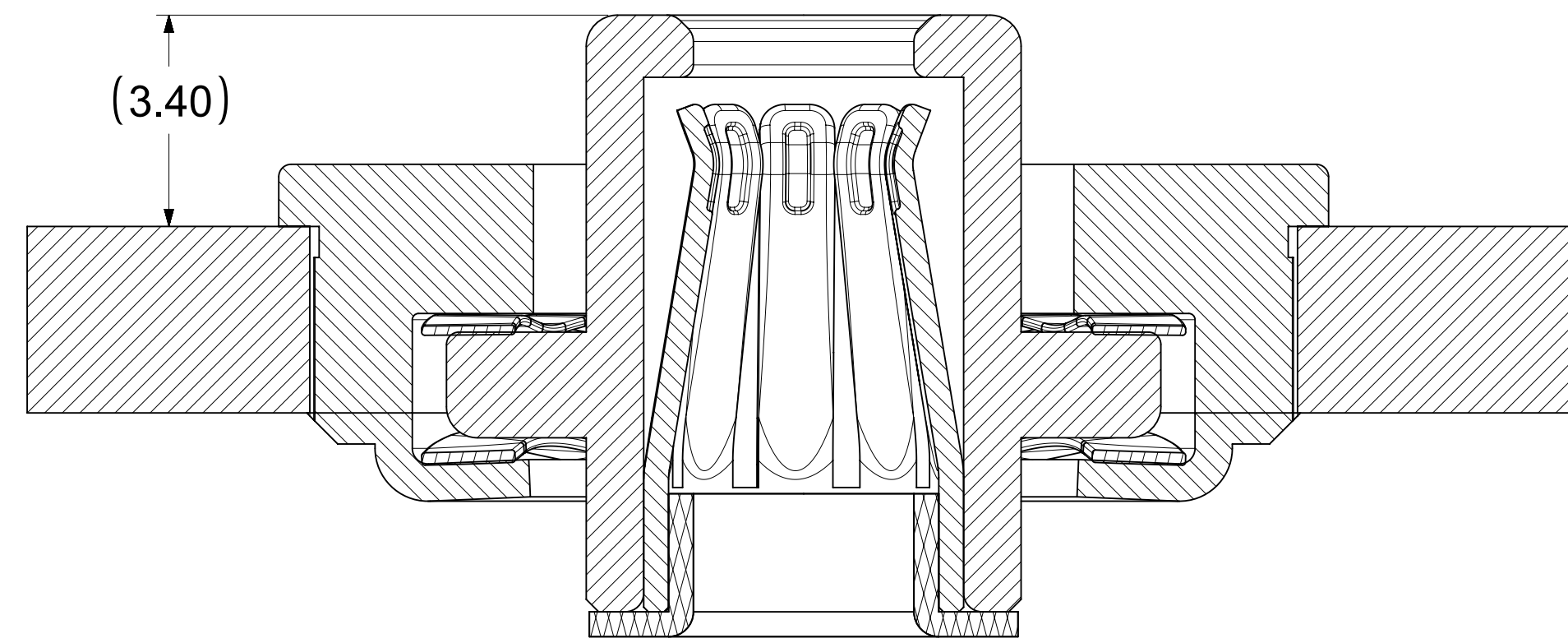
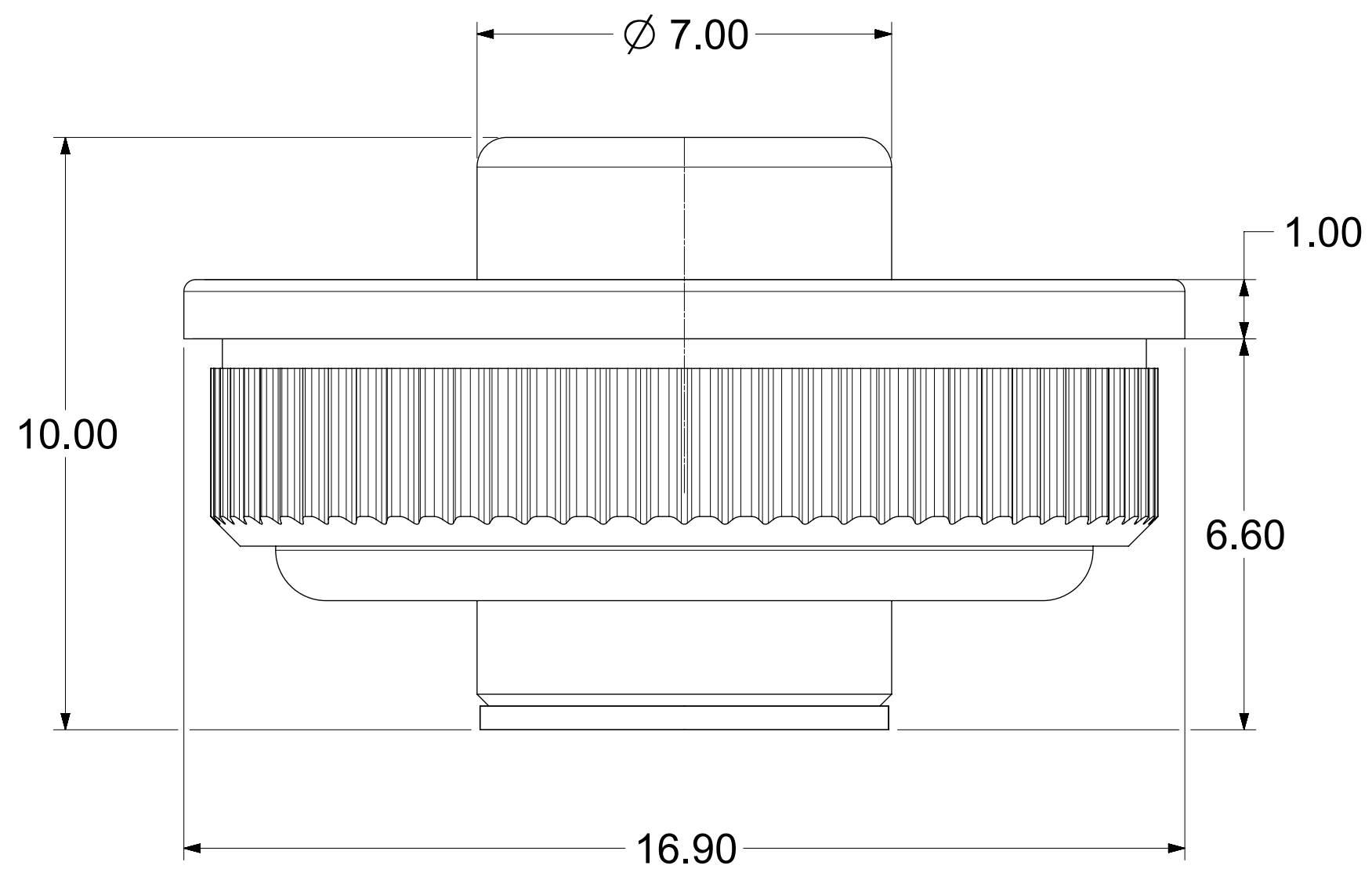


MATING PROFILE



SECTION A-A

NOTES:

1. MATERIALS: COPPER ALLOY
2. PLATING:
 - i. CONTACT AREA: GOLD.
 - ii. REST AREA: SILVER WITH TARNISH INHIBITOR
3. MATES WITH THE STANDARD PIN DRAWINGS:
 - i. 3.4MM SMT DRAWING 2032631134-SD, MIN MATING DISTANCE 5.9MM
 - ii. 3.4MM PRESS FIT DRAWING 2032630034-SD, MIN MATING DISTANCE 6.15MM
4. PRODUCT SPECIFICATION: 2043130018-PS
5. APPLICATION SPECIFICATION: 2043130018-AS
6. PACKAGING SPECIFICATION: 2043130018-PK
7. SILVER COMPONENTS WILL BE SUPPLIED TARNISH FREE BUT MAY TARNISH OVER TIME.

THIS DRAWING CONTAINS INFORMATION THAT IS PROPRIETARY TO MOLEX ELECTRONIC TECHNOLOGIES, LLC AND SHOULD NOT BE USED WITHOUT WRITTEN PERMISSION											
DIMENSION UNITS	SCALE	CURRENT REV DESC:					molex				
mm	NTS										
GENERAL TOLERANCES (UNLESS SPECIFIED)		EC NO: 618198 DRWN: FCSSO 2018/08/23 CHK'D: BPISZCZOR 2019/05/30 APPR: BPISZCZOR 2019/05/30 INITIAL REVISION: DRWN: JJONIAK 2017/08/04 APPR: BPISZCZOR 2019/05/30					3.4MM CST PRESSFIT W/1.0MM FLOAT				
ANGULAR TOL	± °						PRODUCT CUSTOMER DRAWING				
4 PLACES	±						DOCUMENT NUMBER DOC TYPE DOC PART REVISION				
3 PLACES	±						2043130018-SD				
2 PLACES	± 0.15						PSD 000 A				
1 PLACE	± 0.25	MATERIAL NUMBER CUSTOMER SHEET NUMBER									
0 PLACES	±	2043130018 GENERAL MARKET 1 OF 1									
DRAFT WHERE APPLICABLE MUST REMAIN WITHIN DIMENSIONS		THIRD ANGLE PROJECTION	DRAWING	SERIES							
			D-SIZE	204313							