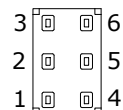
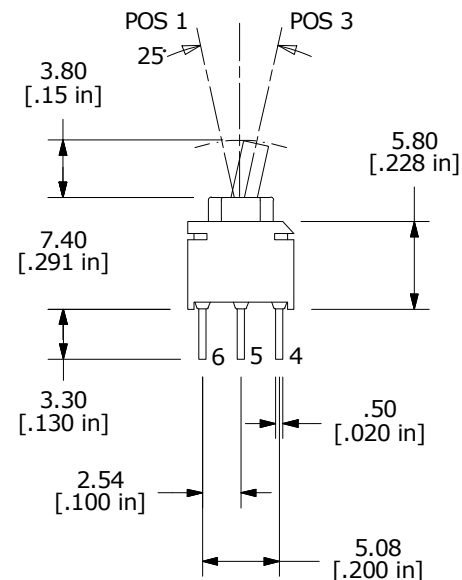
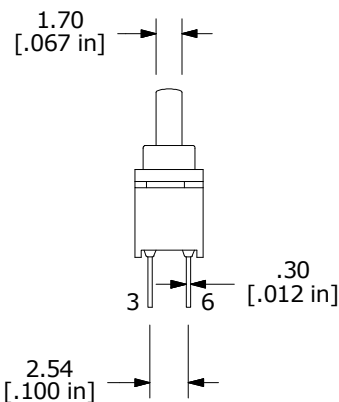
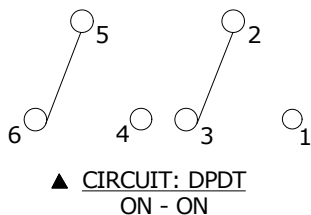


SWITCH FUNCTION		
POS. 1	POS. 2	POS. 3
ON	NONE	ON
2-1; 5-4	N/A	2-3; 5-6



- NOTE:
- ALL DIMENSIONS IN MM [INCH]
 - GENERAL TOLERANCE: X.X = ±0.4
X.XX = ±0.25
 - TERMINAL NUMBERS FOR REF ONLY
 - STATIONARY CONTACTS: COPPER ALLOY W/ GOLD PLATING
 - MOVING CONTACT: COPPER ALLOY W/ GOLD PLATING
 - RATING: 0.4 VA max. @ 20V AC or DC max.
 - CONTACT RESISTANCE: <100 MILLI-OHM
 - MECHANICAL LIFE: 40,000 MAKE-AND-BREAK CYCLES
 - INSULATION RESISTANCE: 500 MEGA-OHM min.
 - DIELECTRIC STRENGTH: 500 V RMS @SEA LEVEL
 - OPERATING TEMP.: -30°C to 85°C
 - ▲ DENOTES CRITICAL PARAMETER.
 - SEAL RATING: IP67
 - 2011/65/EU (ROHS) COMPLIANT

C	22837	drawing update, add Term. length	5/4/17	MW
B	19606	UPDATE PLATING NOTE	01/20/11	BMA
A	19141	New Release	6/15/10	rc
REV	PCR NO	DESCRIPTION	DATE	BY



TITLE 200UDP1T1A1M2RE				
SCALE 2:1	DATE 2/12/2010	DR rc	DWG T250003	REV C

THE INFORMATION CONTAINED IN THIS DOCUMENT IS PROPRIETARY TO E-SWITCH AND IS NOT TO BE COPIED OR TRANSFERRED