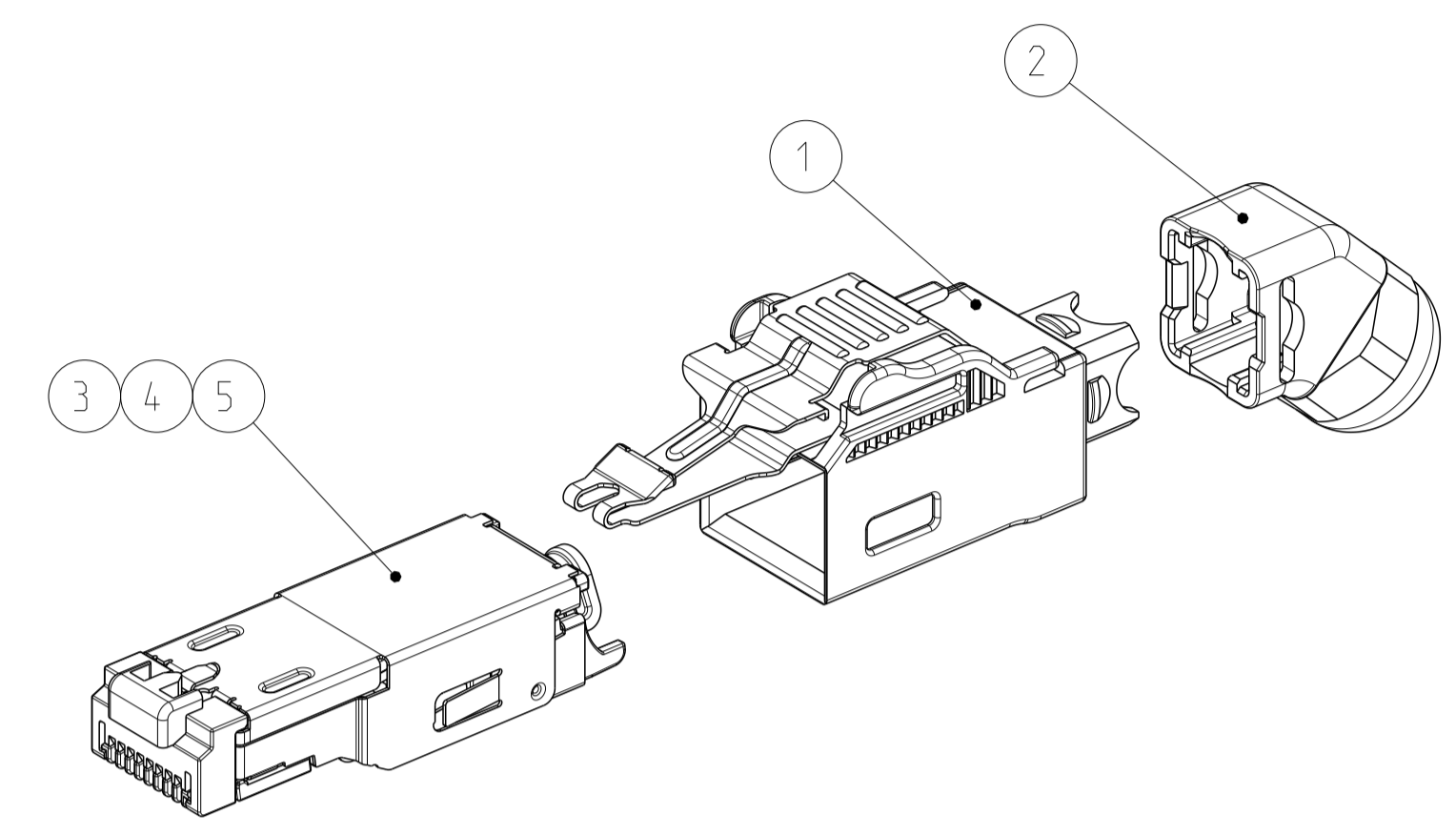
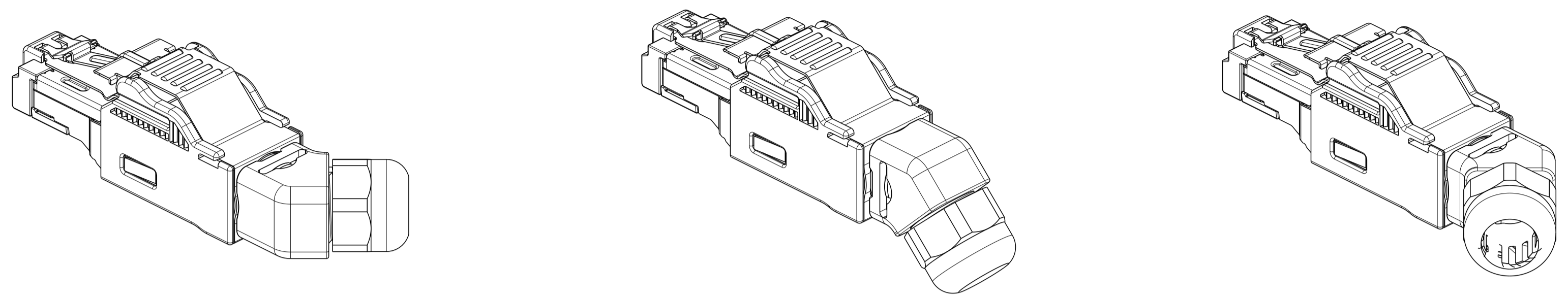
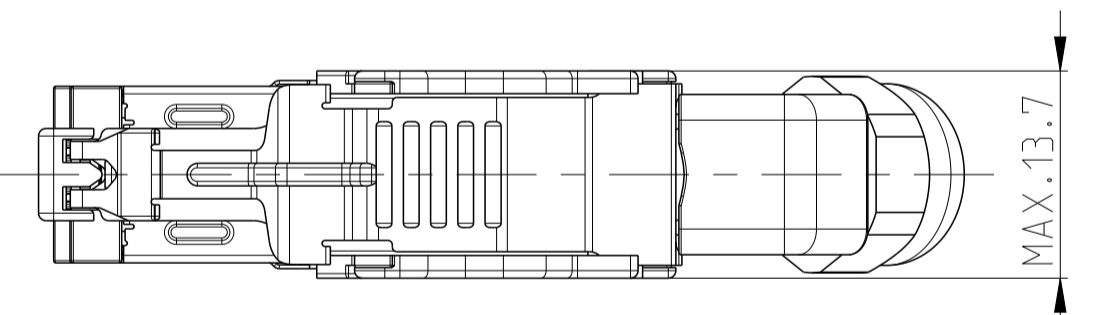
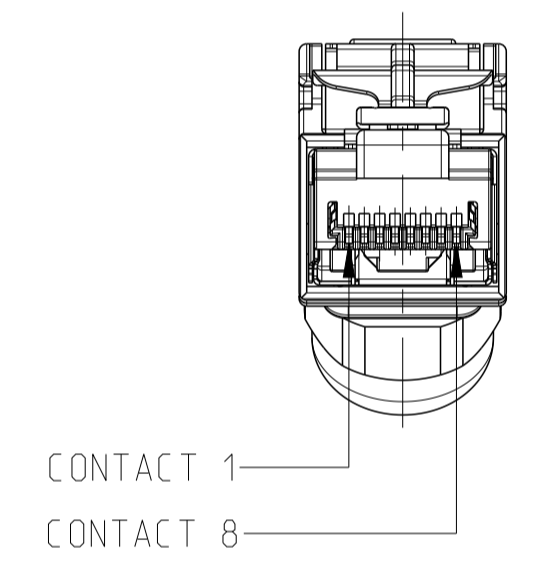
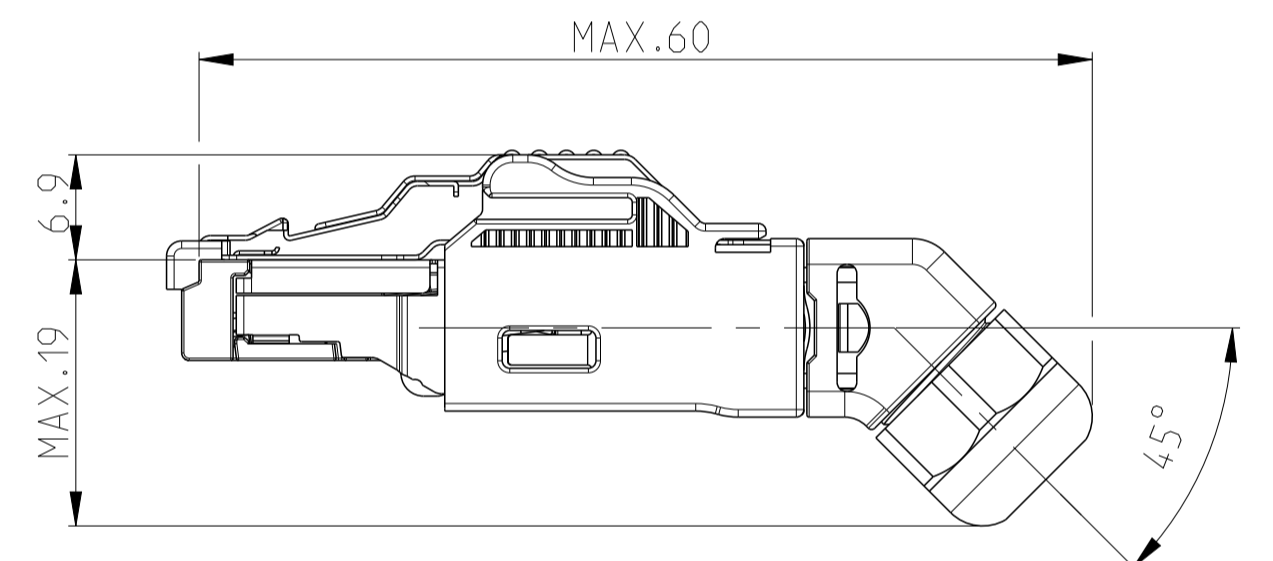


PROJECT NO.		REVISIONS		DATE	DWN	APVD
EGEMN07120		DESCRIPTION	DESCRIPTION			
P	LTH	PN 1987236-5, 1987236-6	DISCONTINUED	15DEC2017	TJ	NG

POTENTIAL OF VERSIONS CABLE OUTLET
 MOEGLICHE VARIANTEN KABELABGANG



MOUNTED STATE - FOR INFORMATION ONLY
 MONTIERTER ZUSTAND - NUR ZUR INFORMATION



COLOR ALLOCATION OF TERMINAL WIRE TO RJ45 CONTACT 4 POS. TYPE:

FARBZUORDNUNG DES ANSCHLUSSDRAHTES ZUM RJ45-KONTAKT 4 POL. AUSFUEHRUNG:

1987236-1 + 1987236-2
 1987236-5 + 1987236-6

CONTACT NO./NR.	WIRE COLOR DRAHTFARBE
1	YELLOW GELB
2	ORANGE ORANGE
3	WHITE WEISS
6	BLUE BLAU

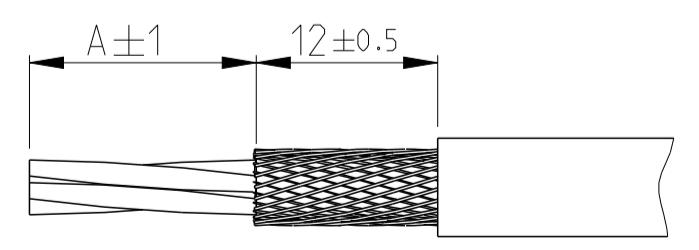
COLOR ALLOCATION OF TERMINAL WIRE TO RJ45 CONTACT 8 POS. TYPE:

FARBZUORDNUNG DES ANSCHLUSSDRAHTES ZUM RJ45-KONTAKT 8 POL. AUSFUEHRUNG:

1987236-3 + 1987236-4
 1987236-5 + 1987236-6

CONTACT NO./NR.	WIRE COLOR DRAHTFARBE	
	568A	568B
1	WHITE/GREEN WEISS/GRUEN	WHITE/ORANGE WEISS/ORANGE
2	GREEN GRUEN	ORANGE ORANGE
3	WHITE/ORANGE WEISS/ORANGE	WHITE/GREEN WEISS/GRUEN
4	BLUE BLAU	BLUE BLAU
5	WHITE/BLUE WEISS/BLAU	WHITE/BLUE WEISS/BLAU
6	ORANGE ORANGE	GREEN GRUEN
7	WHITE/BROWN WEISS/BRAUN	WHITE/BROWN WEISS/BRAUN
8	BROWN BRAUN	BROWN BRAUN

RECOMMENDED STRIPPING LENGTH
 EMPFOHLENE ABISOLIERLAENGE



LENGTH LAENGE	1987236-3, -4 CORE 8 P.	1987236-1, -2 CORE 4 P.	1987236-5, -6 COMMON CORE 8 P., GIGABIT GEM. KERN 8 P., GIGABIT
A	15	15	18

- ⚠ SINGLE PACKING: BLISTER PACKAGE WITH INSTRUCTION SHEET.
- ⚠ MULTI PACKING: 50 PIECE ITEM NO. 1 IN FOLDING BOX + 50 PIECE ITEM NO. 2 IN PLASTIC BAG (MINI GRIP) + 50 PIECE ITEM NO. 3 OR 4 OR 5 IN FOLDING BOX PACKED IN CORRUGATED SHIPPING BOX WITH INSTRUCTION SHEET.
- ⚠ EINZELVERPACKUNG: BLISTERVERPACKUNG MIT VERARBEITUNGSANWEISUNG.
- ⚠ MEHRFACHVERPACKUNG: 50 STUECK POS. 1 IN FALTSCHACHEL + 50 STUECK POS. 2 IN KUNSTSTOFFBEUTEL (MINI GRIP) + 50 STUECK POS. 3 ODER 4 ODER 5 IN FALTSCHACHEL VERPACKT IN VERSANDKARTON MIT VERARBEITUNGSANWEISUNG.

OBSOLETE
 OBSOLETE

1987236-6	1987236-5	1987236-4	1987236-3	1987236-2	1987236-1	TE ORDER NO. BESTELL-NR.	
50	1	-	-	-	5	COMMON CORE 8 P., GIGABIT GEM. KERN 8 P., GIGABIT	
-	-	50	1	-	4	CORE 8P ASSY	
-	-	-	50	1	3	CORE 4P ASSY	
50	1	50	1	50	1	2	ANGLE PART WITH NUT IP20 WINKELSTUECK MIT MUTTER IP20
50	1	50	1	50	1	1	CASE IP20 WITH LOCK SPRING GEHAUSE IP20 MIT RASTFEDER
QUANTITY STUECK					ITEM-NO. POS.	DESCRIPTION BENENNUNG	

THIS DRAWING IS A CONTROLLED DOCUMENT. DATE OF IMPLEMENTATION: 15 DEC 2017. APPROVED FOR THE TECHNICAL DEPARTMENT: W. BOECK. DRAWING NO. 250CT2007. SCALE: 2:1. SHEET 1 OF 1. REV. A5.

TE Connectivity

RJ45 CONNECTOR IP20 45 DEG. INDUSTRIAL ETHERNET RJ45 STECKER IP20 45 GRAD

00779