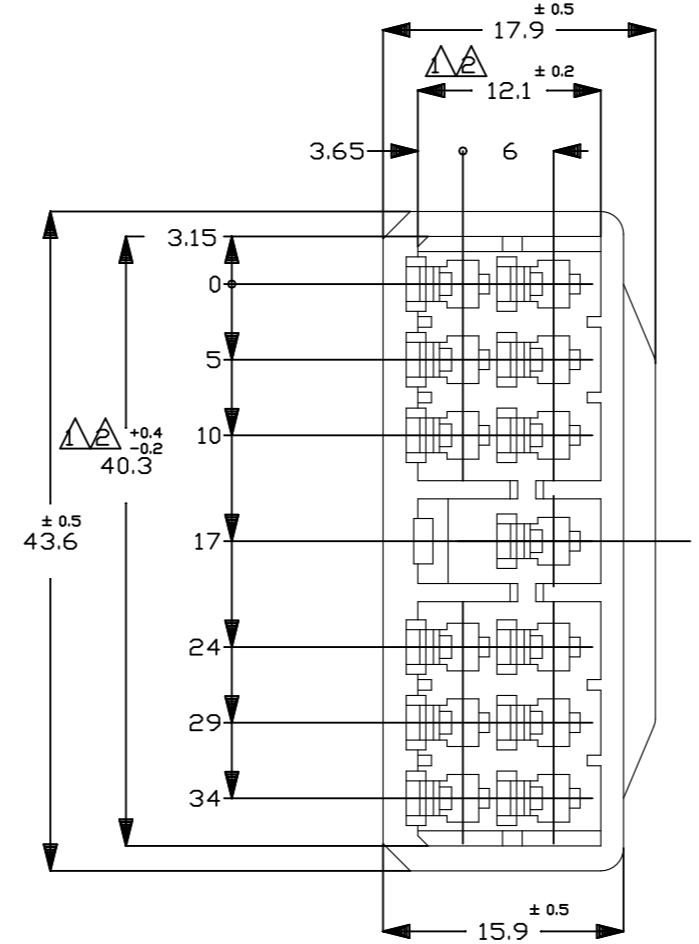
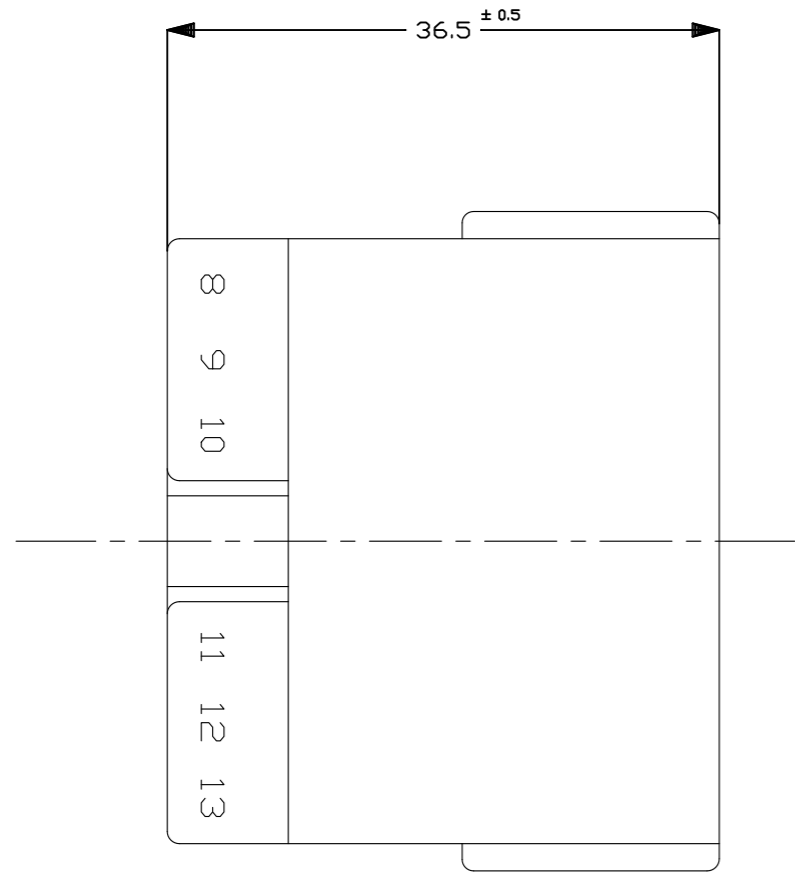


P	LTR	DESCRIPTION	DATE	DWN	APVD
	A1	REVISED PER ECR-23-165252	30JAN2023	RK	MT

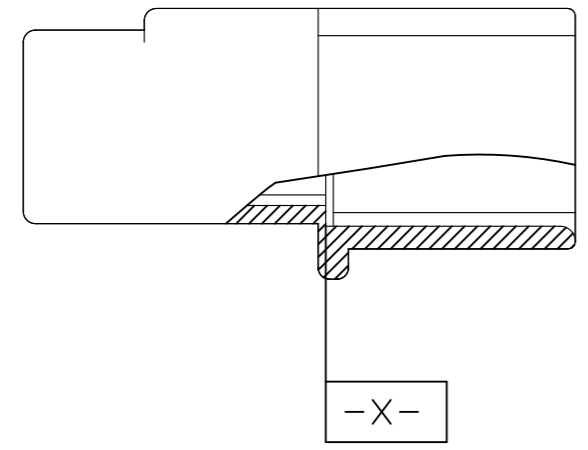


NOTES;

- △ TO BE MEASURED WITH IN 2mm FROM -A-
- △ IN COUPLING WITH THE PLUG HOUSING MATING SATISFIES FUNCTION
- 3 APPLIED CONTACT P/N 172777,172779
- 4 PRODUCT SPEC No. 108-5166
- 5 IN COUPLING WITH THE PLUG HOUSING MATING FORCE 29.4N<3Kgf>MAX. WITHOUT REC CONTACT

注；

- △ -A- 面より2mmの範囲で測定
- △ 相手ハウジングと所定の機能を満たして嵌合できること
- 3 内装するタブコンタクト型番 172777, 172779他
- 4 製品規格 NO.108-5166
- 5 相手ハウジングとの嵌合力は29.4N<3Kgf>以下  
但しタブコンタクトは含まない



OBSOLETE	172508-7	黄<YELLOW>
OBSOLETE	172508-6	灰<GRAY>
OBSOLETE	172508-5	青<BLUE>
OBSOLETE	172508-4	緑<GREEN>
OBSOLETE	172508-3	茶<BROWN>
	172508-2	黒<BLACK>
	172508-1	自然色<NATURAL>
	番号<PN>	色<COLOR>

THIS DRAWING IS A CONTROLLED DOCUMENT.		DWN K.YUASA 10/12'92	TE Connectivity  13 Pos. CAP HOUSING MULTI-INTERLOCK CONN. (MIC-MKII)				
DIMENSIONS: mm		CHK A.TOMITA 10/12'92				NAME	
TOLERANCES UNLESS OTHERWISE SPECIFIED:		APVD A.TOMITA 10/12'92				SIZE	
0 PLC ± - 1 PLC ± - 2 PLC ± - 3 PLC ± - 4 PLC ± - ANGLES ± -		PRODUCT SPEC				CAGE CODE	
MATERIAL (NYLON)		FINISH	APPLICATION SPEC	DRAWING NO			
			WEIGHT	RESTRICTED TO			
			A3 00779 C-172508				
			CUSTOMER DRAWING		SCALE 2:1		
			SHEET 1 OF 1		REV A1		