

MATERIAL NO.	ENGINEERING NO.	FINISHED LENGTH	POLES	CABLE DIA.
1300630017	C03000A48M010	1 M (3 FT 3.37 IN)	3	0.70 [17.8]
1300630127	C04000A48M750	75 M (246 FT 0.76 IN)	4	0.78 [19.7]
1300630132	C04000A48T130	130 M (426 FT 6.11 IN)	4	0.78 [19.7]

**CABLE LENGTH TOLERANCES**

<.3M [1FT]: +19mm-0 [+ .75in-0]

.3 - .9M [1 - 3FT]: +44.5mm-0 [+1.75in-0]

.9 - 1.8M [3 - 6FT]: +55.6mm-0 [+2.19in-0]

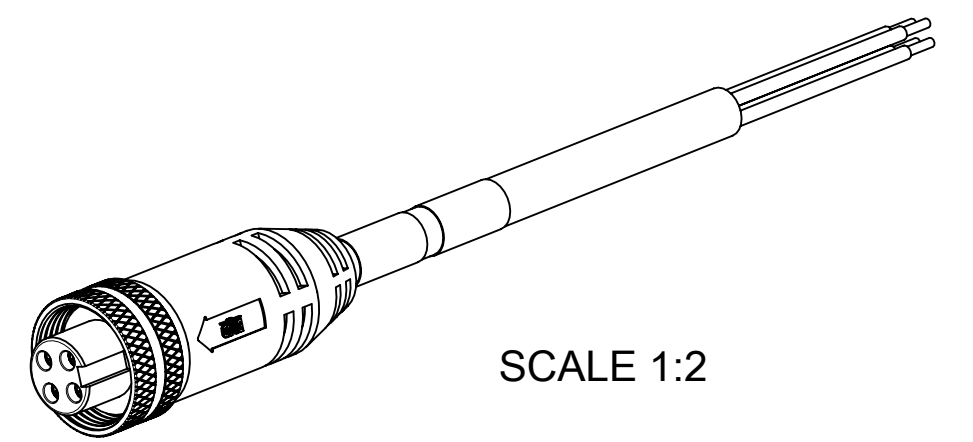
1.8 - 3.7M [6 - 12FT]: +88.9mm-0 [+3.50in-0]

3.7 - 7.3M [12 - 24FT]: +165.1mm-0 [+6.50in-0]

7.3-14.6M [24 - 48FT]: +317.5mm-0 [+12.50in-0]

14.6 - 30.5M [48-100FT]: +622.3mm-0 [+24.50in-0]

OVER 30M [100FT] +2% OF FINISHED LENGTH



SCALE 1:2



FEMALE FACE VIEW



**PART NUMBER LEGEND**

**C04000A48M750**

FINISHED LENGTH  
M001 = 0.1 METER  
M010 = 1.0 METER  
M100 = 10.0 METER  
T100 = 100 METER

- NOTES:**
- MATERIAL: AS NOTED
  - FINISH: AS NOTED
  - ELECTRICAL:  
VOLTAGE: 630V (3P) / 500V (4P) PER IEC60664  
600V PER UL2237  
CURRENT: 32A
  - TEMP RATING: -20°C TO +90°C (3P), +105°C (4P)
  - PROTECTION: IP67 (WHEN MATED)
  - UL LISTED FILE: E258922
  - ALL DIMS ARE FOR REFERENCE UNLESS TOLERANCED OR NOTED OTHERWISE

ITEM	DESCRIPTION	MATERIAL	FINISH
7	WARNING LABEL	VINYL	ORANGE/BLACK
6	WRAP LABEL	VINYL	BLACK/YELLOW
5	OVERMOLD	TPE	GRAY
4	COUPLING NUT	ALUMINIUM	CLEAR ANODIZE
3	CONTACT SOCKET	Cu ALLOY	GOLD OVER NICKEL
2	FEMALE INSERT	TPE	BLACK
1	CABLE #10/3-4, TC-ER/STOOW	PVC	GRAY

FUNCTIONAL SYMBOLS FA = 0 FC = 0 FP = 0	THIS DRAWING CONTAINS INFORMATION THAT IS PROPRIETARY TO MOLEX ELECTRONIC TECHNOLOGIES, LLC AND SHOULD NOT BE USED WITHOUT WRITTEN PERMISSION		CURRENT REV DESC: ADDED NOTES, BOM, ITEM #2 & 5 WERE PVC, MATERIAL P/N TABLE & DIMS. CABLE DIA., TOL. CHART AND PART NUMBER LEGEND.				
	DIMENSION UNITS	SCALE					EC NO: 711366 DRWN: VHANDI CHK'D: RSTONE APPR: BWOODMAN
	INCH/MM	1.5:1					
DIVISIONAL SYMBOLS	GENERAL TOLERANCES (UNLESS SPECIFIED)		INITIAL REVISION: DRWN: BRUPERT APPR: JFMURPHY	DOCUMENT NUMBER	DOC TYPE	DOC PART	REVISION
4 PLACES ±	MM	INCH		2010/01/14	SD-130063-089	PSD	001
3 PLACES ±	DRAFT WHERE APPLICABLE MUST REMAIN WITHIN DIMENSIONS		2010/01/15	MATERIAL NUMBER	CUSTOMER	SHEET NUMBER	
2 PLACES ±	THIRD ANGLE PROJECTION		C-SIZE	130063	SEE TABLE	GENERAL MARKET	1 OF 1
1 PLACE ±	DRAWING		SERIES				
0 PLACES ±	ANGULAR TOL ± 0.5°						