

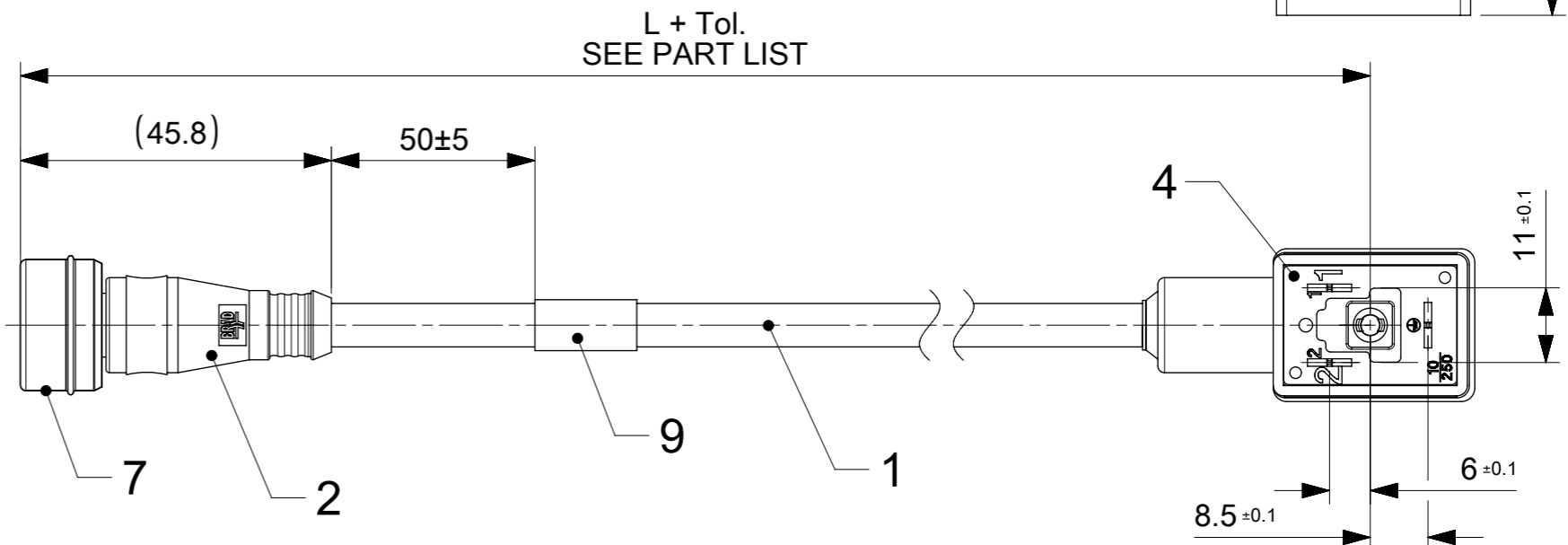
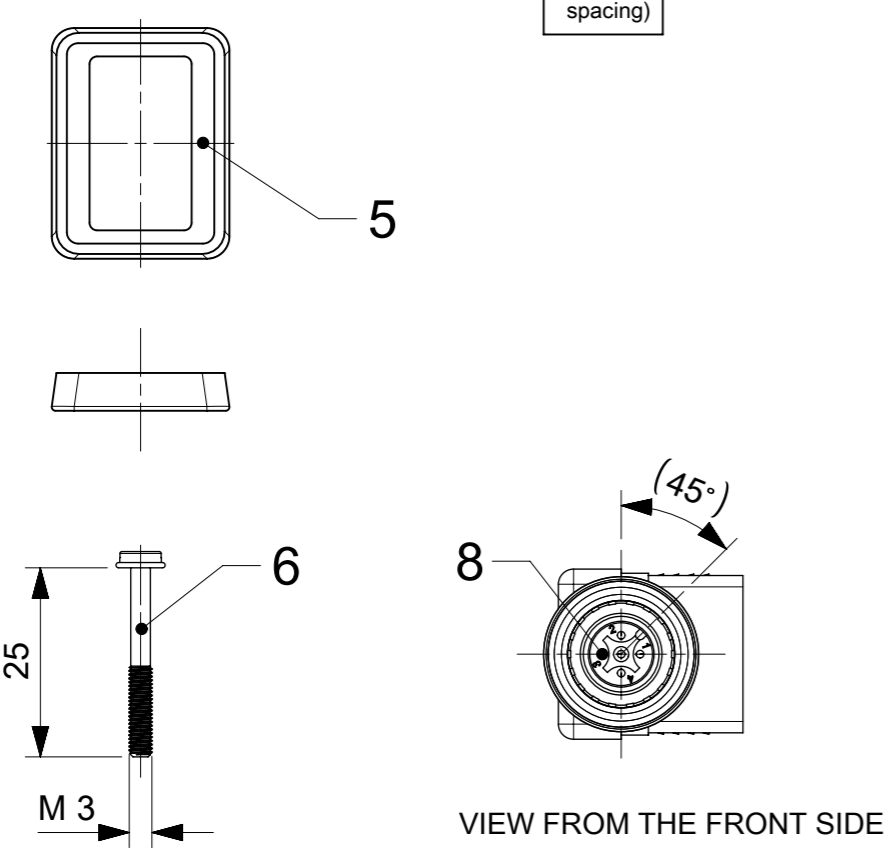
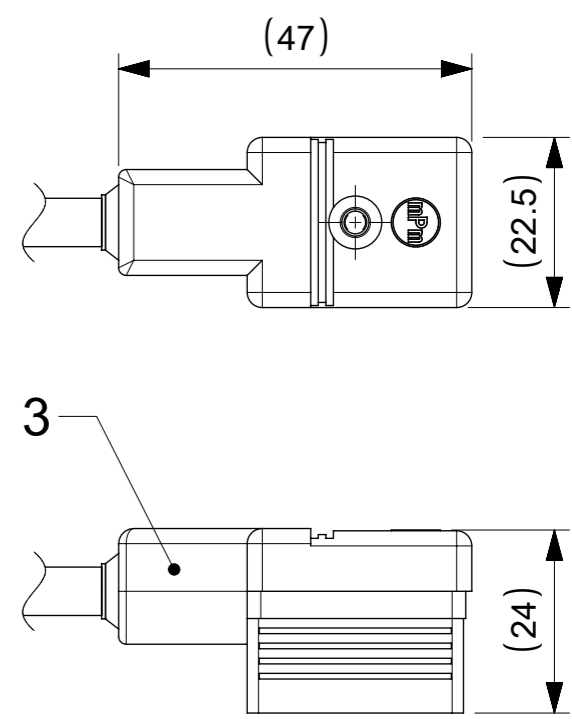
NOTES :

MAX. VOLTAGE : 250V AC/DC
 MAX. CURRENT : 4V
 BENDING RADIUS : 10x CABLE O.D

PART No MATRIX:

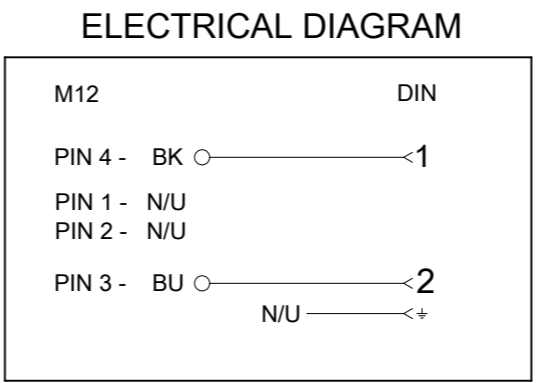
F W 4 0 0 1 X X X M X X X X OPTIONS

F=Form B (11mm contact spacing)
 W= UltraLock M12 Connector
 4=4 Poles
 001 = WITHOUT CIRCUIT NO LED EARTH POSITION H12, MA STR
 Cable type - A09
 Units: M = Meter
 Length Examples: 005=0.5m 010=1m 100=10m
 Overmold color: Blank (Standard)=Black A=Grey / G=Black Y=Yellow H= 2 pcs. of I/D Carrier (Cables Ixx & P82 always with 2 pcs. I/D Carrier)



BOM

ITEM	QTY	DESCRIPTION	MATERIAL	COLOR/FINISH
9	1	LABEL	VINYL	YELLOW
8	4	CONTACT MALE	BRASS	Au OVER Ni-PLATED
7	1	MIC 4P MALE ULTRA-LOCK ASSEMBLY	-	-
6	1	SCREW M3 X 25.0 MM	-	-
5	1	PROFILED GASKET	NBR	BLACK
4	1	DIN INSERT ASSEMBLY	-	-
3	-	DIN OVERMOULD	POLYPROP	BLACK
2	-	OVERMOULD	TPU	YELLOW
1	-	CABLE	PVC	YELLOW



PART LIST

Part No.	Engineering No.	L+Tol.[mm]
1210360875	EW4001A09M010	1000±20

THIS DRAWING CONTAINS INFORMATION THAT IS PROPRIETARY TO MOLEX ELECTRONIC TECHNOLOGIES, LLC AND SHOULD NOT BE USED WITHOUT WRITTEN PERMISSION

FUNCTIONAL SYMBOLS: $\nabla/\bar{A} = 0$, $\nabla/\bar{E} = 0$, $\nabla/\bar{V} = 0$

DIVISIONAL SYMBOLS: 4 PLACES ±, 3 PLACES ±, 2 PLACES ±, 1 PLACE ±, 0 PLACES ±

SCALE: 1:1
 DIMENSION UNITS: mm
 GENERAL TOLERANCES (UNLESS SPECIFIED):
 ANGULAR TOL: ± °

CURRENT REV DESC:
 EC NO: 703538
 DRWN: SSM 2022/03/14
 CHK'D: RSILLER 2022/04/22
 APPR: RSILLER 2022/04/22

INITIAL REVISION:
 DRWN: SSM 2022/03/14
 APPR: RSILLER 2022/04/22

THIRD ANGLE PROJECTION:

DRAFT WHERE APPLICABLE MUST REMAIN WITHIN DIMENSIONS

DRAWING: A3-SIZE
 SERIES: 121036
 MATERIAL NUMBER: SEE PART LIST
 CUSTOMER: GENERAL MARKET
 SHEET NUMBER: 1 OF 1

DOCUMENT NUMBER: 1210360875
 DOC TYPE: PSD
 DOC PART: 000
 REVISION: A

molex
 DIN 11MM 4-P MALE ULOCK PVC 1M

6

5

4

3

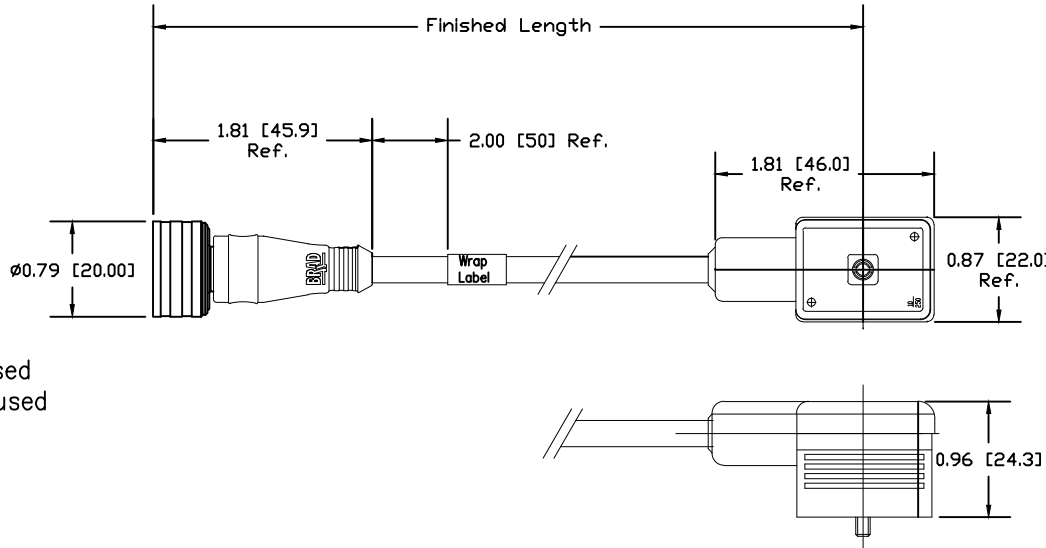
2

1

E

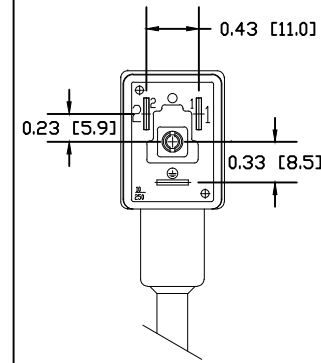
E

Face view

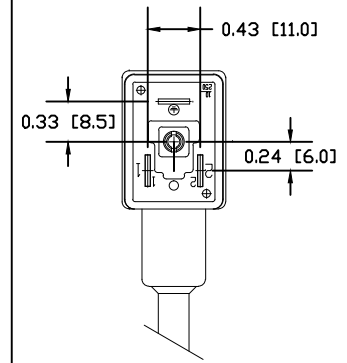


- 1 Not used
- 2 Note used
- 3 Blue
- 4 Black

Earth position - Face View



For H6:



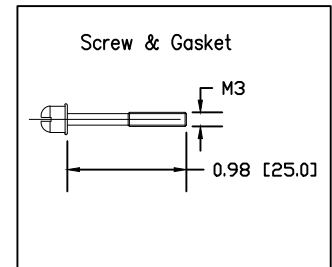
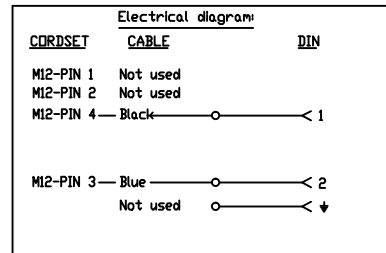
For H12:

PART No MATRIX



Length:
 020=2 Meters
 050=5 Meters
 200=20 Meters

DIN Earth Position - o'clock &
 M12 connector body:
 0 = EARTH H6, MALE Straight
 1 = EARTH H12, MALE Straight
 2 = EARTH H6, MALE 90°
 3 = EARTH H12, MALE 90°



D

D

C

C

B

B

MECHANICAL
 CONTACT : GOLD/NICKEL OVER COPPER ALLOY
 INSERT : BLACK NYLON
 COUPLING NUT: TEFLON COAT OVER NICKEL PLATED BRASS
 MOLDED BODY:ULTRA LOCK- YELLOW PVC
 DIN BLACK POLYPROPYLENE

CABLE: 22 AWG 4 CONDUCTORS YELLOW PVC JACKET
 CABLE O.D. .200±.10[5.08±.254]
 BEND RADIUS 10XCABLE O.D.

ELECTRICAL
 VOLTAGE RATING: 250V AC/DC
 AMPERAGE: 4A

A

A

RELEASE EC NO: ICG2013-1719 DRWN: TWOLDEGE 2013/05/08 CHKD: BRUPERT APPR: BWOODMAN 2013/11/07	QUALITY SYMBOLS ▽=0 ▽C=0	GENERAL TOLERANCES (UNLESS SPECIFIED)		DIMENSION STYLE	SCALE	DESIGN UNITS	THIRD ANGLE PROJECTION	
			mm	INCH	INCH/MM	1:1	INCH	
		4 PLACES	±---	±---	DRAWN BY DATE			
		3 PLACES	±---	±.005	TWOLDEGE 2013/05/08	TITLE		
	2 PLACES	±.13	±.010	CHECKED BY DATE	U-LOCK TO DIN ASSEMBLY 4-P MALE ULOCK-11MM DIN 22/4 AWG YLLOW PVC			
	1 PLACE	±.25	±.020	BRUPERT ---				
	ANGULAR ±.5°		APPROVED BY DATE	MOLEX INCORPORATED				
	DRAFT WHERE APPLICABLE MUST REMAIN WITHIN DIMENSIONS		BWOODMAN 2013/11/07					
			MATERIAL NO.	SEE MATRIX	DOCUMENT NO.	SD-121035-001		
			SIZE	A	THIS DRAWING CONTAINS INFORMATION THAT IS PROPRIETARY TO MOLEX INCORPORATED AND SHOULD NOT BE USED WITHOUT WRITTEN PERMISSION			
						SHEET NO.	1 OF 1	

6

5

4

3

2

1