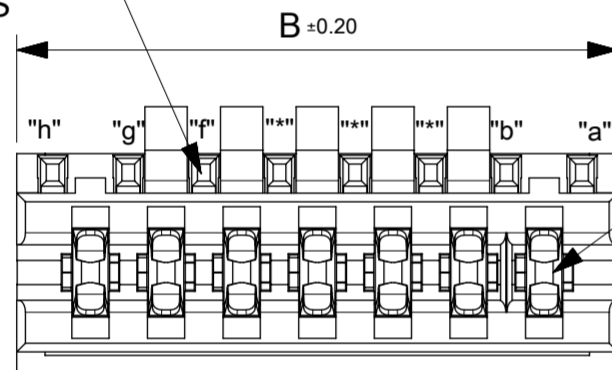


4000012662

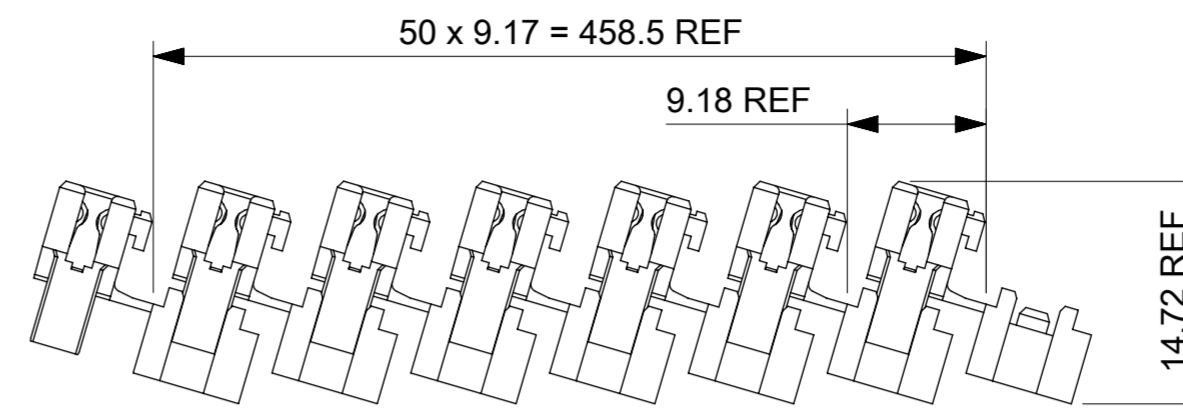
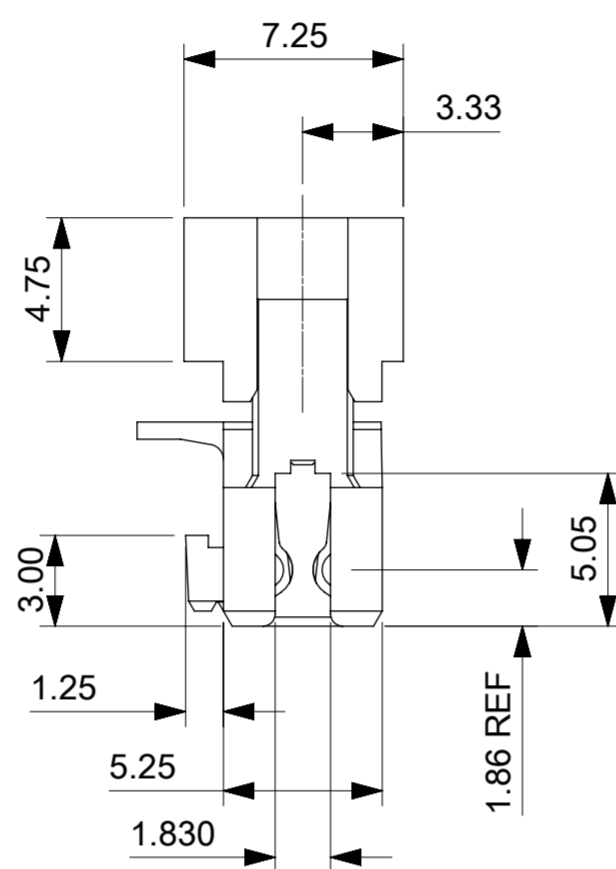
POSITION OF COLOUR STRIPE (see note 3)



POSITION KEYS



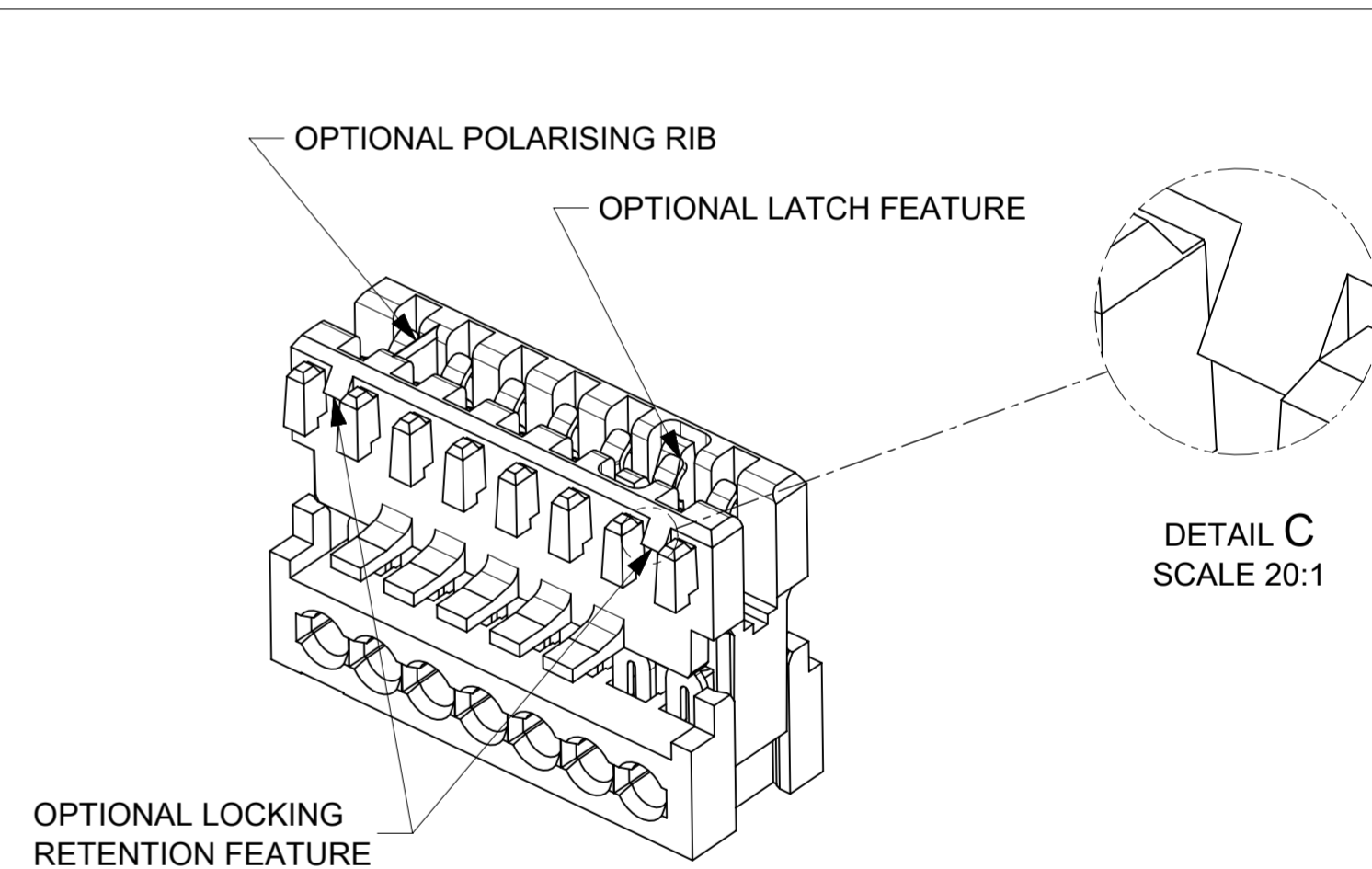
CIRCUIT 1



SHIPPING ARRANGEMENT

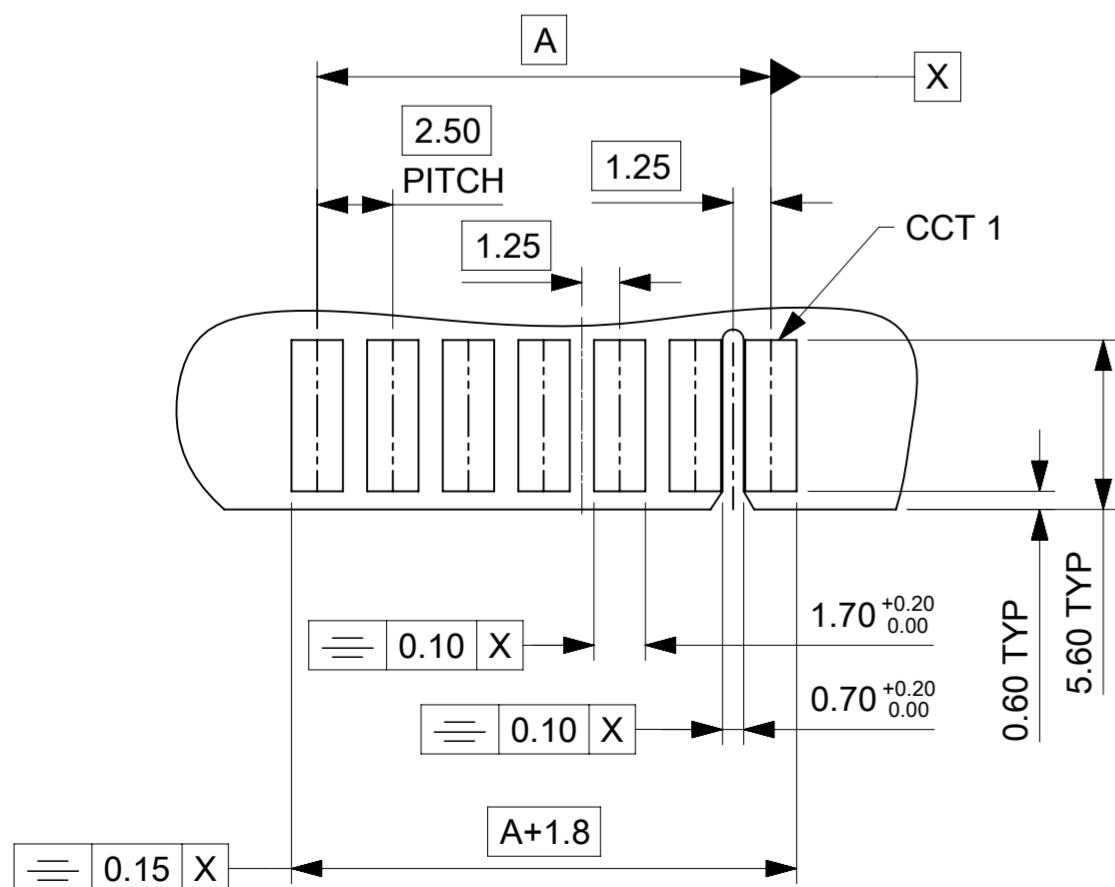
| CCT | A | B |
|-----|------|--------|
| 3 | 5.0 | 9.875 |
| 4 | 7.5 | 12.375 |
| 5 | 10.0 | 14.875 |
| 6 | 12.5 | 17.375 |
| 7 | 15.0 | 19.875 |
| 8 | 17.5 | 22.375 |
| 9 | 20.0 | 24.875 |
| 10 | 22.5 | 27.375 |
| 11 | 25.0 | 29.875 |
| 12 | 27.5 | 32.375 |
| 13 | 30.0 | 34.875 |
| 14 | 32.5 | 37.375 |
| 15 | 35.0 | 39.875 |
| 16 | 37.5 | 42.375 |
| 17 | 40.0 | 44.875 |
| 18 | 42.5 | 47.375 |
| 19 | 45.0 | 49.875 |
| 20 | 47.5 | 52.375 |

OPTIONAL PART FEATURES



SEE SUBSEQUENT SHEETS FOR RELEVANT PART NUMBERS.
*LOCKING RETENTION FEATURE AVAILABLE FIRST AND LAST CIRCUIT ONLY
SMALLEST CIRCUIT SIZE AVAILABLE WITH LOCKING RETENTION FEATURE IS 5 CKT

- NOTES:
- REFER TO PRODUCT SPECIFICATION: PS-99020-0040.
 - MATERIAL: HOUSING - NYLON PA6
UL94-VO, COLOUR: NATURAL (WHITE).
TERMINAL: PHOSPHOR BRONZE 0.30 REF. THICK - PLATING
HOT TIN DIP.
 - COLOUR STRIPE IS OPTIONAL. AVAILABLE IN THE FOLLOWING
COLOURS: RED, GREEN, BLUE, PURPLE
(BOLD SIGNIFIES CUSTOMER SPECIFIC CONFIGURATION).
 - REFER TO PACKAGING SPEC (PK-90871-001)
 - REFER TO APPLICATION SPEC (990330008 AS)
 - RIB THICKNESS = 0.38mm



- PCB LAYOUT FOR 7CCT (2.5mm) CONNECTOR
(WITH OPTIONAL POSITIONAL RIB SLOT BETWEEN CCT 1 & 2)
- RECOMMENDED PCB THICKNESS 1.5±0.14

| | | | | | | | | | | |
|---|--|--------------------|------------------------|-------------------|---------|--|-----------|--|-----------------|--|
| THIS DRAWING CONTAINS INFORMATION THAT IS PROPRIETARY TO MOLEX ELECTRONIC TECHNOLOGIES, LLC AND SHOULD NOT BE USED WITHOUT WRITTEN PERMISSION | | | | | | | | | | |
| DIMENSION UNITS | | SCALE | | CURRENT REV DESC: | | | | | | |
| mm | | NTS | | | | | | | | |
| GENERAL TOLERANCES (UNLESS SPECIFIED) | | | | | | | | | | |
| ANGULAR TOL ± 0.5° | | | | EC NO: 743071 | | | | | | |
| 4 PLACES ± | | DRWN: RAHULH3 | | 2023/03/21 | | | | | | |
| 3 PLACES ± 0.05 | | CHK'D: RAHULH3 | | 2023/03/21 | | | | | | |
| 2 PLACES ± 0.1 | | APPR: MRAMAKRISHNA | | 2023/03/21 | | | | | | |
| 1 PLACE ± 0.2 | | INITIAL REVISION: | | | | | | | | |
| 0 PLACES ± | | DRWN: CFISHER01 | | 2016/05/06 | | | | | | |
| | | APPR: BRUTTLE | | 2016/07/01 | | | | | | |
| DRAFT WHERE APPLICABLE MUST REMAIN WITHIN DIMENSIONS | | | THIRD ANGLE PROJECTION | | DRAWING | | SERIES | | MATERIAL NUMBER | |
| | | | A2-SIZE | | 91716 | | SEE TABLE | | CUSTOMER | |
| | | | GENERAL MARKET | | 1 OF 10 | | | | | |



APPLI-MATE 2.5 FEMALE
(MATL: NYLON PA6)

PRODUCT CUSTOMER DRAWING

917160001

PSD 000 N4

| 2 CIRCUIT | | | | | | | | | |
|-------------|--------------|------------------------|----------------|-----------------------|---------------|---------------|--------------|------------------------|---------------|
| PART NUMBER | HOUSING USED | TERMINAL VOID POSITION | LATCH POSITION | REMOVED POSITION KEYS | CONFIGURATION | FIRST ENDWALL | LAST ENDWALL | POLARIZING RIB BETWEEN | COLOUR STRIPE |
| 91716-9001 | 91715-0002 | NONE | NONE | NONE | | OPEN | OPEN | NONE | NONE |
| 91716-9002 | 91715-0042 | NONE | NONE | a | | OPEN | CLOSED | NONE | NONE |
| 91716-9004 | 91715-0002 | NONE | NONE | c | | OPEN | OPEN | NONE | NONE |
| 91716-9005 | 91715-0102 | NONE | NONE | NONE | | OPEN | OPEN | 1&2 | NONE |

| 3 CIRCUIT | | | | | | | | | |
|-------------|--------------|------------------------|----------------|-----------------------|---------------|---------------|--------------|------------------------|---------------|
| PART NUMBER | HOUSING USED | TERMINAL VOID POSITION | LATCH POSITION | REMOVED POSITION KEYS | CONFIGURATION | FIRST ENDWALL | LAST ENDWALL | POLARIZING RIB BETWEEN | COLOUR STRIPE |
| 91716-0001 | 91715-0003 | NONE | NONE | NONE | | OPEN | OPEN | NONE | NONE |
| 91716-0002 | 91715-0003 | NONE | NONE | a d | | OPEN | OPEN | NONE | RED |
| 91716-0013 | 91715-0003 | NONE | NONE | a | | OPEN | OPEN | NONE | NONE |
| 91716-0014 | 91715-0003 | NONE | NONE | b | | OPEN | OPEN | NONE | NONE |
| 91716-0015 | 91715-0003 | NONE | NONE | c | | OPEN | OPEN | NONE | NONE |
| 91716-0016 | 91715-0003 | NONE | NONE | d | | OPEN | OPEN | NONE | NONE |
| 91716-0017 | 91715-0003 | NONE | NONE | b d | | OPEN | OPEN | NONE | NONE |
| 91716-0018 | 91715-0003 | NONE | NONE | a c | | OPEN | OPEN | NONE | NONE |
| 91716-0019 | 91715-0003 | NONE | NONE | a d | | OPEN | OPEN | NONE | NONE |
| 91716-0020 | 91715-0003 | NONE | NONE | a b | | OPEN | OPEN | NONE | NONE |
| 91716-0021 | 91715-0003 | NONE | NONE | b c | | OPEN | OPEN | NONE | NONE |
| 91716-0022 | 91715-0003 | NONE | NONE | c d | | OPEN | OPEN | NONE | NONE |
| 91716-0023 | 91715-0003 | CCT 2 | NONE | b d | | OPEN | OPEN | NONE | NONE |
| 91716-0024 | 91715-0003 | CCT 3 | NONE | c | | OPEN | OPEN | NONE | BLUE |
| 91716-0034 | 91715-0103 | NONE | NONE | NONE | | OPEN | OPEN | 1&2 | NONE |
| 91716-0041 | 91715-0203 | NONE | NONE | NONE | | OPEN | OPEN | 2&3 | NONE |
| 91716-0042 | 91715-0003 | CCT 1 | NONE | NONE | | OPEN | OPEN | NONE | NONE |
| 91716-0043 | 91715-0003 | CCT 1 | NONE | c | | OPEN | OPEN | NONE | NONE |
| 91716-0044 | 91715-0003 | NONE | NONE | b d | | OPEN | OPEN | NONE | BLUE |
| 91716-0045 | 91715-0003 | NONE | NONE | b | | OPEN | OPEN | NONE | BLUE |
| 91716-0046 | 91715-0003 | CCT 1 | NONE | d | | OPEN | OPEN | NONE | NONE |

3CCT CONTINUED ON NEXT SHEET

NOTES

- + DENOTES TERMINAL VOIDED POSITION
 - ⊕ DENOTES TERMINAL LOADED POSITION
 - | DENOTES POLARIZING RIB POSITION
2. MOLEX HOUSING NO. FOR REFERENCE ONLY

| | | | | | | | | | | | | | |
|---|--|------------------------|--|-------------------------------|--|--------|--|-----------------|--|---|--|--------------|--|
| THIS DRAWING CONTAINS INFORMATION THAT IS PROPRIETARY TO MOLEX ELECTRONIC TECHNOLOGIES, LLC AND SHOULD NOT BE USED WITHOUT WRITTEN PERMISSION | | | | | | | | | | | | | |
| DIMENSION UNITS | | SCALE | | CURRENT REV DESC: | | | | | | | | | |
| mm | | NTS | | | | | | | | | | | |
| GENERAL TOLERANCES (UNLESS SPECIFIED) | | | | EC NO: 743071 | | | | | | APPLI-MATE 2.5 FEMALE (MATL: NYLON PA6) | | | |
| ANGULAR TOL ± 0.5° | | | | DRWN: RAHULH3 2023/03/21 | | | | | | | | | |
| 4 PLACES ± | | | | CHK'D: RAHULH3 2023/03/21 | | | | | | PRODUCT CUSTOMER DRAWING | | | |
| 3 PLACES ± 0.05 | | | | APPR: MRAMAKRISHNA 2023/03/21 | | | | | | | | | |
| 2 PLACES ± 0.1 | | | | INITIAL REVISION: | | | | | | DOCUMENT NUMBER 917160001 | | | |
| 1 PLACE ± 0.2 | | | | DRWN: CFISHER01 2016/05/06 | | | | | | | | | |
| 0 PLACES ± | | | | APPR: BRUTTLE 2016/07/01 | | | | | | DOC TYPE DOC PART REVISION PSD 000 N4 | | | |
| DRAFT WHERE APPLICABLE MUST REMAIN WITHIN DIMENSIONS | | THIRD ANGLE PROJECTION | | DRAWING | | SERIES | | MATERIAL NUMBER | | CUSTOMER | | SHEET NUMBER | |
| | | | | A2-SIZE | | 91716 | | SEE TABLE | | GENERAL MARKET | | 2 OF 10 | |

3 CIRCUIT

| PART NUMBER | HOUSING USED | TERMINAL VOID POSITION | LATCH POSITION | REMOVED POSITION KEYS | CONFIGURATION | FIRST ENDWALL | LAST ENDWALL | POLARIZING RIB BETWEEN | COLOUR STRIPE |
|-------------|--------------|------------------------|----------------|-----------------------|---------------|---------------|--------------|------------------------|---------------|
| 91716-0047 | 91715-0003 | NONE | NONE | b d | | OPEN | OPEN | NONE | RED |
| 91716-0048 | 91715-0003 | NONE | NONE | b c d | | OPEN | OPEN | NONE | NONE |
| 91716-0049 | 91715-0003 | NONE | NONE | c | | OPEN | OPEN | NONE | PURPLE |
| 91716-0050 | 91715-9903 | NONE | NONE | NONE | | OPEN | NARROW | NONE | NONE |
| 91716-0051 | 91715-0003 | NONE | NONE | d | | OPEN | OPEN | NONE | BLACK |
| 91716-0053 | 91715-0043 | NONE | NONE | d | | OPEN | CLOSED | NONE | NONE |
| 91716-0054 | 91715-0243 | NONE | NONE | NONE | | OPEN | CLOSED | 2&3 | NONE |
| 91716-0055 | 91715-0043 | NONE | NONE | a | | OPEN | CLOSED | NONE | NONE |
| 91716-0056 | 91715-0063 | NONE | NONE | c | | CLSIED | OPEN | NONE | NONE |
| 91716-0058 | 91715-0003 | CCT 3 | NONE | d | | OPEN | OPEN | NONE | NONE |
| 91716-0059 | 91715-0003 | CCT 3 | NONE | c d | | OPEN | OPEN | NONE | NONE |

4 CIRCUIT

| PART NUMBER | HOUSING USED | TERMINAL VOID POSITION | LATCH POSITION | REMOVED POSITION KEYS | CONFIGURATION | FIRST ENDWALL | LAST ENDWALL | POLARIZING RIB BETWEEN | COLOUR STRIPE |
|-------------|--------------|------------------------|----------------|-----------------------|---------------|---------------|--------------|------------------------|---------------|
| 91716-0501 | 91715-0004 | NONE | NONE | NONE | | OPEN | OPEN | NONE | NONE |
| 91716-0502 | 91715-0004 | NONE | NONE | d | | OPEN | OPEN | NONE | NONE |
| 91716-0503 | 91715-0004 | NONE | NONE | a d | | OPEN | OPEN | NONE | NONE |
| 91716-0504 | 91715-0004 | NONE | NONE | c e | | OPEN | OPEN | NONE | NONE |
| 91716-0505 | 91715-0004 | NONE | NONE | a | | OPEN | OPEN | NONE | NONE |
| 91716-0506 | 91715-0204 | NONE | NONE | NONE | | OPEN | OPEN | 2&3 | NONE |
| 91716-0538 | 91715-0004 | NONE | NONE | b | | OPEN | OPEN | NONE | NONE |
| 91716-0530 | 91715-0004 | NONE | NONE | b c | | OPEN | OPEN | NONE | NONE |
| 91716-0539 | 91715-0004 | NONE | NONE | a b | | OPEN | OPEN | NONE | NONE |
| 91716-0540 | 91715-0004 | NONE | NONE | d e | | OPEN | OPEN | NONE | NONE |
| 91716-0541 | 91715-0004 | NONE | NONE | ALL | | OPEN | OPEN | NONE | NONE |
| 91716-0542 | 91715-0004 | NONE | NONE | a b e | | OPEN | OPEN | NONE | NONE |
| 91716-0507 | 91715-0004 | CCT 1 | NONE | NONE | | OPEN | OPEN | NONE | NONE |
| 91716-0543 | 91715-0304 | NONE | NONE | NONE | | OPEN | OPEN | 3&4 | RED |
| 91716-0544 | 91715-0204 | NONE | NONE | NONE | | OPEN | OPEN | 2&3 | BLUE |
| 91716-0545 | 91715-0004 | NONE | NONE | d | | OPEN | OPEN | NONE | BLUE |

4 CIRCUIT

| PART NUMBER | HOUSING USED | TERMINAL VOID POSITION | LATCH POSITION | REMOVED POSITION KEYS | CONFIGURATION | FIRST ENDWALL | LAST ENDWALL | POLARIZING RIB BETWEEN | COLOUR STRIPE |
|-------------|--------------|------------------------|----------------|-----------------------|---------------|---------------|--------------|------------------------|---------------|
| 91716-0546 | 91715-0004 | NONE | NONE | b | | OPEN | OPEN | NONE | RED |
| 91716-0547 | 91715-0004 | NONE | NONE | b c | | OPEN | OPEN | NONE | GREEN |
| 91716-0548 | 91715-0004 | NONE | NONE | c d | | OPEN | OPEN | NONE | RED |
| 91716-0549 | 91715-0004 | NONE | NONE | a c e | | OPEN | OPEN | NONE | NONE |
| 91716-0550 | 91715-0104 | NONE | NONE | NONE | | OPEN | OPEN | 1&2 | NONE |
| 91716-0551 | 91715-0004 | NONE | NONE | NONE | | OPEN | OPEN | NONE | GREEN |
| 91716-0552 | 91715-0004 | NONE | NONE | b c d | | OPEN | OPEN | NONE | NONE |
| 91716-0553 | 91715-0004 | NONE | NONE | b d | | OPEN | OPEN | NONE | NONE |
| 91716-0554 | 91715-0004 | NONE | NONE | a b d | | OPEN | OPEN | NONE | NONE |
| 91716-0555 | 91715-0004 | NONE | NONE | a c e | | OPEN | OPEN | NONE | BLACK |
| 91716-0556 | 91715-0004 | NONE | NONE | a e | | OPEN | OPEN | NONE | NONE |
| 91716-0557 | 91715-0104 | NONE | NONE | a b d e | | OPEN | OPEN | 1&2 | NONE |
| 91716-0558 | 91715-0004 | NONE | NONE | a c | | OPEN | OPEN | NONE | NONE |
| 91716-0559 | 91715-0004 | NONE | NONE | b e | | OPEN | OPEN | NONE | NONE |
| 91716-0560 | 91715-0004 | NONE | NONE | a d e | | OPEN | OPEN | NONE | NONE |

NOTES

- + DENOTES TERMINAL VOIDED POSITION
⊕ DENOTES TERMINAL LOADED POSITION
| DENOTES POLARIZING RIB POSITION
- MOLEX HOUSING NO. FOR REFERENCE ONLY

| | | | | | | | | | | | |
|---|--|------------------------|--|-------------------|--|---------------------|--|-----------------|--|---|--|
| THIS DRAWING CONTAINS INFORMATION THAT IS PROPRIETARY TO MOLEX ELECTRONIC TECHNOLOGIES, LLC AND SHOULD NOT BE USED WITHOUT WRITTEN PERMISSION | | | | | | | | | | | |
| DIMENSION UNITS | | SCALE | | CURRENT REV DESC: | | | | | | | |
| mm | | NTS | | | | | | | | | |
| GENERAL TOLERANCES (UNLESS SPECIFIED) | | | | EC NO: 743071 | | | | | | APPLI-MATE 2.5 FEMALE (MATL: NYLON PA6) | |
| ANGULAR TOL ± 0.5° | | | | 4 PLACES ± | | DRWN: RAHULH3 | | 2023/03/21 | | | |
| | | | | 3 PLACES ± 0.05 | | CHK'D: RAHULH3 | | 2023/03/21 | | | |
| | | | | 2 PLACES ± 0.1 | | APPR: MRAMAKRISHNA | | 2023/03/21 | | | |
| | | | | 1 PLACE ± 0.2 | | INITIAL REVISION: | | | | | |
| | | | | 0 PLACES ± | | DRWN: CFISHER01 | | 2016/05/06 | | | |
| | | | | APPR: BRUTTLE | | 2016/07/01 | | | | | |
| DRAFT WHERE APPLICABLE MUST REMAIN WITHIN DIMENSIONS | | THIRD ANGLE PROJECTION | | DRAWING | | SERIES | | MATERIAL NUMBER | | CUSTOMER | |
| | | | | A2-SIZE | | 91716 | | SEE TABLE | | GENERAL MARKET | |
| DOCUMENT STATUS | | P1 | | RELEASE DATE | | 2023/03/21 09:38:20 | | DOCUMENT NUMBER | | DOC TYPE DOC PART REVISION | |
| | | | | | | | | 917160001 | | PSD 000 N4 | |
| | | | | | | | | SHEET NUMBER | | 3 OF 10 | |

5 CIRCUIT

| PART NUMBER | HOUSING USED | TERMINAL VOID POSITION | LATCH POSITION | REMOVED POSITION KEYS | CONFIGURATION | FIRST ENDWALL | LAST ENDWALL | POLARIZING RIB BETWEEN | COLOUR STRIPE | |
|-------------|--------------|------------------------|----------------|-----------------------|---------------|---------------|--------------|------------------------|---------------|---------------------------|
| 91716-1001 | 91715-0005 | NONE | NONE | NONE | | OPEN | OPEN | NONE | NONE | |
| 91716-1002 | 91715-0305 | NONE | NONE | ALL | | OPEN | OPEN | 3&4 | NONE | |
| 91716-1003 | 91715-0405 | NONE | NONE | NONE | | OPEN | OPEN | 4&5 | NONE | |
| 91716-1004 | 91715-0005 | NONE | NONE | c d | | OPEN | OPEN | NONE | NONE | |
| 91716-1005 | 91715-0005 | NONE | NONE | a | | OPEN | OPEN | NONE | NONE | |
| 91716-1006 | 91715-0005 | NONE | NONE | b | | OPEN | OPEN | NONE | NONE | |
| 91716-1007 | 91715-0005 | NONE | NONE | a b e f | | OPEN | OPEN | NONE | NONE | |
| 91716-1008 | 91715-0205 | NONE | NONE | NONE | | OPEN | OPEN | 2&3 | NONE | |
| 91716-1009 | 91715-0005 | CCT 2,3,4 | NONE | NONE | | OPEN | OPEN | NONE | NONE | |
| 91716-1010 | 91715-0005 | CCT 2 | NONE | c | | OPEN | OPEN | NONE | NONE | |
| 91716-1011 | 91715-0005 | CCT 2 | NONE | d | | OPEN | OPEN | NONE | NONE | |
| 91716-1012 | 91715-0005 | CCT 2 | NONE | b | | OPEN | OPEN | NONE | NONE | |
| 91716-1013 | 91715-0005 | CCT 2 | NONE | a | | OPEN | OPEN | NONE | NONE | |
| 91716-1014 | 91715-0005 | NONE | NONE | b c d e | | OPEN | OPEN | NONE | NONE | |
| 91716-1015 | 91715-0305 | CCT 2,3,4 | NONE | NONE | | OPEN | OPEN | 3&4 | RED | |
| 91716-1016 | 91715-0005 | CCT 2 | NONE | b | | OPEN | OPEN | NONE | RED | |
| 91716-1017 | 91715-0005 | NONE | NONE | d e | | OPEN | OPEN | NONE | NONE | |
| 91716-1018 | 91715-0005 | NONE | NONE | a d f | | OPEN | OPEN | NONE | NONE | |
| 91716-1019 | 91715-0105 | NONE | NONE | NONE | | OPEN | OPEN | 1&2 | NONE | |
| 91716-1020 | 91715-0005 | CCT 2,3,4 | NONE | b | | OPEN | OPEN | NONE | NONE | |
| 91716-1021 | 91715-0005 | NONE | NONE | d | | OPEN | OPEN | NONE | NONE | |
| 91716-1022 | 91715-0005 | NONE | NONE | b f | | OPEN | OPEN | NONE | RED | |
| 91716-1023 | 91715-0005 | CCT 2,3,4 | NONE | c e | | OPEN | OPEN | NONE | NONE | |
| 91716-1024 | 91715-0205 | NONE | NONE | a b e f | | OPEN | OPEN | 2&3 | NONE | |
| 91716-1025 | 91715-0005 | CCT 2,3,4 | NONE | c f | | OPEN | OPEN | NONE | NONE | |
| 91716-1026 | 93473-0205 | NONE | NONE | ALL | | OPEN | OPEN | 2&3 | NONE | LOCKING RETENTION FEATURE |
| 91716-1027 | 91715-0205 | NONE | NONE | ALL | | OPEN | OPEN | 2&3 | NONE | LOCKING RETENTION FEATURE |
| 91716-1028 | 93473-0005 | NONE | NONE | NONE | | OPEN | OPEN | NONE | NONE | LOCKING RETENTION FEATURE |
| 91716-1029 | 91715-0005 | NONE | NONE | b c d | | OPEN | OPEN | NONE | NONE | |
| 91716-1030 | 91715-0085 | NONE | NONE | NONE | | NARROW | OPEN | NONE | NONE | |

5 CIRCUIT

| PART NUMBER | HOUSING USED | TERMINAL VOID POSITION | LATCH POSITION | REMOVED POSITION KEYS | CONFIGURATION | FIRST ENDWALL | LAST ENDWALL | POLARIZING RIB BETWEEN | COLOUR STRIPE |
|-------------|--------------|------------------------|----------------|-----------------------|---------------|---------------|--------------|------------------------|---------------|
| 91716-1031 | 91715-0305 | NONE | NONE | b c d e f | | OPEN | OPEN | 3 & 4 | NONE |
| 91716-1032 | 91715-0405 | NONE | NONE | b c d e f | | OPEN | OPEN | 4 & 5 | NONE |

(N3)

NOTES

- + DENOTES TERMINAL VOIDED POSITION
⊕ DENOTES TERMINAL LOADED POSITION
| DENOTES POLARIZING RIB POSITION
- MOLEX HOUSING NO. FOR REFERENCE ONLY

| | | | | | | | | | |
|---|--|------------------------|--|---|--|--------|--|-----------------|--|
| THIS DRAWING CONTAINS INFORMATION THAT IS PROPRIETARY TO MOLEX ELECTRONIC TECHNOLOGIES, LLC AND SHOULD NOT BE USED WITHOUT WRITTEN PERMISSION | | | | | | | | | |
| DIMENSION UNITS | | SCALE | | CURRENT REV DESC: | | | | | |
| mm | | NTS | | <p>molex</p> <p>APPLI-MATE 2.5 FEMALE (MATL: NYLON PA6)</p> <p>PRODUCT CUSTOMER DRAWING</p> <p>EC NO: 743071 DRWN: RAHULH3 2023/03/21 CHK'D: RAHULH3 2023/03/21 APPR: MRAMAKRISHNA 2023/03/21</p> <p>INITIAL REVISION: DRWN: CFISHER01 2016/05/06 APPR: BRUTTLE 2016/07/01</p> <p>DOCUMENT NUMBER: 917160001</p> <p>DOC TYPE: PSD DOC PART: 000 REVISION: N4</p> | | | | | |
| GENERAL TOLERANCES (UNLESS SPECIFIED) | | | | | | | | | |
| ANGULAR TOL ± 0.5° | | | | | | | | | |
| 4 PLACES ± | | 0.05 | | | | | | | |
| 3 PLACES ± | | 0.05 | | | | | | | |
| 2 PLACES ± | | 0.1 | | | | | | | |
| 1 PLACE ± | | 0.2 | | | | | | | |
| 0 PLACES ± | | | | | | | | | |
| DRAFT WHERE APPLICABLE MUST REMAIN WITHIN DIMENSIONS | | THIRD ANGLE PROJECTION | | DRAWING | | SERIES | | MATERIAL NUMBER | |
| | | | | A2-SIZE | | 91716 | | SEE TABLE | |
| | | | | GENERAL MARKET | | | | SHEET NUMBER | |
| | | | | | | | | 4 OF 10 | |

| 6 CIRCUIT | | | | | | | | | |
|-------------|--------------|------------------------|----------------|-----------------------|---------------|---------------|--------------|------------------------|---------------|
| PART NUMBER | HOUSING USED | TERMINAL VOID POSITION | LATCH POSITION | REMOVED POSITION KEYS | CONFIGURATION | FIRST ENDWALL | LAST ENDWALL | POLARIZING RIB BETWEEN | COLOUR STRIPE |
| 91716-1501 | 91715-0006 | NONE | NONE | NONE | | OPEN | OPEN | NONE | NONE |
| 91716-1502 | 91715-0306 | NONE | NONE | ALL | | OPEN | OPEN | 3&4 | NONE |
| 91716-1503 | 91715-0006 | NONE | NONE | c e f g | | OPEN | OPEN | NONE | NONE |
| 91716-1504 | 91715-0206 | NONE | NONE | ALL | | OPEN | OPEN | 2&3 | NONE |
| 91716-1505 | 91715-0006 | CCT 2,5 | NONE | d f | | OPEN | OPEN | NONE | NONE |
| 91716-1506 | 91715-0006 | NONE | NONE | a b f g | | OPEN | OPEN | NONE | NONE |
| 91716-1507 | 91715-0006 | NONE | NONE | e f | | OPEN | OPEN | NONE | NONE |
| 91716-1509 | 91715-0006 | NONE | NONE | g | | OPEN | OPEN | NONE | NONE |
| 91716-1510 | 91715-0006 | CCT 2 | NONE | c f | | OPEN | OPEN | NONE | NONE |
| 91716-1511 | 91715-0006 | CCT 2,5 | NONE | NONE | | OPEN | OPEN | NONE | NONE |
| 91716-1512 | 91715-0006 | CCT 3,5 | NONE | NONE | | OPEN | OPEN | NONE | NONE |
| 91716-1513 | 91715-0006 | CCT 2,4 | NONE | b d e f | | OPEN | OPEN | NONE | NONE |
| 91716-1514 | 91715-0106 | CCT 3,5 | NONE | NONE | | OPEN | OPEN | 1&2 | NONE |
| 91716-1515 | 91715-0206 | CCT 2,5 | NONE | NONE | | OPEN | OPEN | 2&3 | NONE |
| 91716-1516 | 91715-0306 | NONE | NONE | c f | | OPEN | OPEN | 3&4 | NONE |
| 91716-1517 | 91715-0006 | NONE | NONE | c e | | OPEN | OPEN | NONE | NONE |
| 91716-1518 | 91715-0006 | CCT 2,4 | NONE | NONE | | OPEN | OPEN | NONE | NONE |
| 91716-1519 | 91715-0006 | NONE | NONE | a c e | | OPEN | OPEN | NONE | NONE |
| 91716-1520 | 91715-0006 | CCT 5 | NONE | c e | | OPEN | OPEN | NONE | NONE |
| 91716-1521 | 91715-0006 | CCT 2,4,5,6 | NONE | c e | | OPEN | OPEN | NONE | NONE |
| 91716-1522 | 91715-0006 | CCT 2,6 | NONE | c e | | OPEN | OPEN | NONE | NONE |
| 91716-1523 | 91715-0406 | NONE | NONE | NONE | | OPEN | OPEN | 4&5 | NONE |
| 91716-1524 | 91715-0006 | CCT 2,4,5,6 | NONE | NONE | | OPEN | OPEN | NONE | NONE |
| 91716-1525 | 91715-0006 | CCT 2,6 | NONE | NONE | | OPEN | OPEN | NONE | NONE |
| 91716-1526 | 91715-0006 | CCT 2,5 | NONE | NONE | | OPEN | OPEN | NONE | NONE |
| 91716-1527 | 91715-0006 | CCT 2,5 | NONE | c e | | OPEN | OPEN | NONE | NONE |
| 91716-1528 | 91715-0006 | CCT 2,5 | NONE | a b d f g | | OPEN | OPEN | NONE | GREEN |
| 91716-1529 | 91715-0006 | NONE | NONE | d | | OPEN | OPEN | NONE | NONE |
| 91716-1531 | 91715-0006 | CCT 1,2,3,5 | NONE | NONE | | OPEN | OPEN | NONE | NONE |
| 91716-1532 | 91715-0006 | CCT 1,2,3,5 | NONE | d f | | OPEN | OPEN | NONE | NONE |

| 6 CIRCUIT | | | | | | | | | |
|-------------|--------------|------------------------|----------------|-----------------------|---------------|---------------|--------------|------------------------|---------------|
| PART NUMBER | HOUSING USED | TERMINAL VOID POSITION | LATCH POSITION | REMOVED POSITION KEYS | CONFIGURATION | FIRST ENDWALL | LAST ENDWALL | POLARIZING RIB BETWEEN | COLOUR STRIPE |
| 91716-1534 | 91715-0006 | CCT 3,4 | NONE | b d f | | OPEN | OPEN | NONE | NONE |
| 91716-1535 | 91715-0006 | CCT 4,5 | NONE | b d f | | OPEN | OPEN | NONE | NONE |
| 91716-1536 | 91715-0206 | NONE | NONE | NONE | | OPEN | OPEN | 2&3 | NONE |
| 91716-1537 | 91715-0006 | NONE | NONE | d | | OPEN | OPEN | NONE | BLUE |
| 91716-1538 | 91715-0006 | CCT 2,5 | NONE | b d | | OPEN | OPEN | NONE | NONE |
| 91716-1539 | 91715-0006 | CCT 5,6 | NONE | c f | | OPEN | OPEN | NONE | NONE |
| 91716-1540 | 91715-0006 | CCT 2,4 | NONE | d e | | OPEN | OPEN | NONE | GREEN |
| 91716-1541 | 91715-0006 | NONE | NONE | a f g | | OPEN | OPEN | NONE | NONE |
| 91716-1542 | 91715-0006 | NONE | NONE | NONE | | OPEN | OPEN | NONE | RED |
| 91716-1543 | 91715-0506 | NONE | NONE | NONE | | OPEN | OPEN | 5&6 | NONE |
| 91716-1544 | 91715-0006 | NONE | NONE | c e g | | OPEN | OPEN | NONE | RED |
| 91716-1545 | 91715-0006 | NONE | NONE | d f | | OPEN | OPEN | NONE | BLACK |
| 91716-1546 | 91715-0006 | NONE | NONE | a d | | OPEN | OPEN | NONE | NONE |
| 91716-1547 | 91715-0006 | NONE | NONE | b e f | | OPEN | OPEN | NONE | NONE |
| 91716-1548 | 91715-0006 | NONE | NONE | c d e | | OPEN | OPEN | NONE | NONE |
| 91716-1549 | 91715-0406 | NONE | NONE | NONE | | OPEN | OPEN | 4&5 | NONE |
| 91716-1550 | 91715-0006 | NONE | NONE | b d f | | OPEN | OPEN | NONE | NONE |
| 91716-1551 | 91715-0006 | NONE | NONE | a c e g | | OPEN | OPEN | NONE | NONE |
| 91716-1552 | 91715-0006 | NONE | NONE | a b d f | | OPEN | OPEN | NONE | NONE |
| 91716-1553 | 91715-0006 | CCT 2,5 | NONE | c d | | OPEN | OPEN | NONE | BLACK |
| 91716-1554 | 91715-0006 | CCT 2,4 | NONE | b | | OPEN | OPEN | NONE | RED |
| 91716-1555 | 91715-0006 | NONE | NONE | c f | | OPEN | OPEN | NONE | NONE |
| 91716-1556 | 91715-0006 | NONE | NONE | b d e g | | OPEN | OPEN | NONE | NONE |
| 91716-1557 | 91715-0006 | CCT 2,4 | NONE | b g | | OPEN | OPEN | NONE | RED |
| 91716-1558 | 91715-0006 | NONE | NONE | d f | | OPEN | OPEN | NONE | NONE |

6CCT CONTINUED ON NEXT SHEET

- NOTES
- + DENOTES TERMINAL VOIDED POSITION
 - ⊕ DENOTES TERMINAL LOADED POSITION
 - | DENOTES POLARIZING RIB POSITION
2. MOLEX HOUSING NO. FOR REFERENCE ONLY

THIS DRAWING CONTAINS INFORMATION THAT IS PROPRIETARY TO MOLEX ELECTRONIC TECHNOLOGIES, LLC AND SHOULD NOT BE USED WITHOUT WRITTEN PERMISSION

| | | | | | | | |
|--|--------|--------------------|--|---|--|-----------------|--|
| DIMENSION UNITS | SCALE | CURRENT REV DESC: | | | | | |
| mm | NTS | | | | | | |
| GENERAL TOLERANCES (UNLESS SPECIFIED) | | EC NO: 743071 | | APPLI-MATE 2.5 FEMALE (MATL: NYLON PA6) | | | |
| ANGULAR TOL | ± 0.5° | DRWN: RAHULH3 | | 2023/03/21 | | | |
| 4 PLACES | ± | CHK'D: RAHULH3 | | 2023/03/21 | | | |
| 2 PLACES | ± 0.05 | APPR: MRAMAKRISHNA | | 2023/03/21 | | | |
| 1 PLACE | ± 0.2 | INITIAL REVISION: | | PRODUCT CUSTOMER DRAWING | | | |
| 0 PLACES | ± | DRWN: CFISHER01 | | 2016/05/06 | | | |
| DRAFT WHERE APPLICABLE MUST REMAIN WITHIN DIMENSIONS | | APPR: BRUTTLE | | 2016/07/01 | | DOCUMENT NUMBER | |
| THIRD ANGLE PROJECTION | | DRAWING | | SERIES | | MATERIAL NUMBER | |
| | | A2-SIZE | | 91716 | | SEE TABLE | |
| CUSTOMER | | GENERAL MARKET | | SHEET NUMBER | | 5 OF 10 | |

6 CIRCUIT

| PART NUMBER | HOUSING USED | TERMINAL VOID POSITION | LATCH POSITION | REMOVED POSITION KEYS | CONFIGURATION | FIRST ENDWALL | LAST ENDWALL | POLARIZING RIB BETWEEN | COLOUR STRIPE | |
|-------------|--------------|------------------------|----------------|-----------------------|---------------|---------------|--------------|------------------------|---------------|---------------------------|
| 91716-1559 | 91715-0006 | CCT 1 | NONE | NONE | | OPEN | OPEN | NONE | NONE | |
| 91716-1560 | 91715-0006 | NONE | NONE | a c e f g | | OPEN | OPEN | NONE | NONE | |
| 91716-1561 | 91715-0006 | NONE | NONE | a d g | | OPEN | OPEN | NONE | NONE | |
| 91716-1562 | 91715-0006 | NONE | NONE | a c d e f g | | OPEN | OPEN | NONE | NONE | |
| 91716-1563 | 91715-0006 | CCT 5 | NONE | a c d e f g | | OPEN | OPEN | NONE | NONE | |
| 91716-1564 | 91715-0006 | CCT 6 | NONE | a c d e f g | | OPEN | OPEN | NONE | NONE | |
| 91716-1565 | 91715-0006 | CCT 5 | NONE | NONE | | OPEN | OPEN | NONE | NONE | |
| 91716-1566 | 93473-0006 | NONE | NONE | NONE | | OPEN | OPEN | NONE | NONE | LOCKING RETENTION FEATURE |
| 91716-1567 | 93473-0006 | NONE | NONE | d f | | OPEN | OPEN | NONE | NONE | LOCKING RETENTION FEATURE |
| 91716-1568 | 93473-0006 | CCT 1 | NONE | NONE | | OPEN | OPEN | NONE | NONE | LOCKING RETENTION FEATURE |
| 91716-1569 | 93473-0006 | NONE | NONE | a c d e f g | | OPEN | OPEN | NONE | NONE | LOCKING RETENTION FEATURE |
| 91716-1570 | 93473-0006 | CCT 5 | NONE | a c d e f g | | OPEN | OPEN | NONE | NONE | LOCKING RETENTION FEATURE |
| 91716-1571 | 93473-0006 | CCT 5 | NONE | NONE | | OPEN | OPEN | NONE | NONE | LOCKING RETENTION FEATURE |
| 91716-1572 | 93473-0006 | NONE | NONE | d | | OPEN | OPEN | NONE | PURPLE | LOCKING RETENTION FEATURE |
| 91716-1573 | 91715-0006 | CCT 2,5 | NONE | c e g | | OPEN | OPEN | NONE | RED | |
| 91716-1574 | 91715-0406 | NONE | NONE | a c e g | | OPEN | OPEN | 4&5 | NONE | |
| 91716-1575 | 91715-0106 | NONE | NONE | a g | | OPEN | OPEN | 1&2 | NONE | |
| 91716-1576 | 91715-0106 | CCT 3 | NONE | b | | OPEN | OPEN | 1&2 | NONE | |
| 91716-1577 | 91715-9006 | CCT 3 | CCT 3 | c d | | OPEN | OPEN | 1&2 | BLUE | |

NOTES

- + DENOTES TERMINAL VOIDED POSITION
⊕ DENOTES TERMINAL LOADED POSITION
| DENOTES POLARIZING RIB POSITION
- MOLEX HOUSING NO. FOR REFERENCE ONLY

| | | | | | | | | | |
|---|--------|------------------------|---------|--------|---|--|--|--|--|
| THIS DRAWING CONTAINS INFORMATION THAT IS PROPRIETARY TO MOLEX ELECTRONIC TECHNOLOGIES, LLC AND SHOULD NOT BE USED WITHOUT WRITTEN PERMISSION | | | | | | | | | |
| DIMENSION UNITS | SCALE | CURRENT REV DESC: | | | | | | | |
| mm | NTS | | | | | | | | |
| GENERAL TOLERANCES (UNLESS SPECIFIED) | | EC NO: 743071 | | | APPLI-MATE 2.5 FEMALE (MATL: NYLON PA6) | | | | |
| ANGULAR TOL | ± 0.5° | DRWN: RAHULH3 | | | | | | | |
| 4 PLACES | ± | CHK'D: RAHULH3 | | | PRODUCT CUSTOMER DRAWING | | | | |
| 3 PLACES | ± 0.05 | APPR: MRAMAKRISHNA | | | | | | | |
| 2 PLACES | ± 0.1 | INITIAL REVISION: | | | DOCUMENT NUMBER: 917160001 DOC TYPE: PSD DOC PART: 000 REVISION: N4 | | | | |
| 1 PLACE | ± 0.2 | DRWN: CFISHER01 | | | | | | | |
| 0 PLACES | ± | APPR: BRUTTLE | | | MATERIAL NUMBER: SEE TABLE CUSTOMER: GENERAL MARKET SHEET NUMBER: 6 OF 10 | | | | |
| DRAFT WHERE APPLICABLE MUST REMAIN WITHIN DIMENSIONS | | THIRD ANGLE PROJECTION | DRAWING | SERIES | | | | | |
| | | | A2-SIZE | 91716 | | | | | |

| 7 CIRCUIT | | | | | | | | | | |
|-------------|--------------|------------------------|----------------|-----------------------|---------------|---------------|--------------|------------------------|---------------|---------------------------|
| PART NUMBER | HOUSING USED | TERMINAL VOID POSITION | LATCH POSITION | REMOVED POSITION KEYS | CONFIGURATION | FIRST ENDWALL | LAST ENDWALL | POLARIZING RIB BETWEEN | COLOUR STRIPE | |
| 91716-2001 | 91715-0007 | NONE | NONE | NONE | | OPEN | OPEN | NONE | NONE | |
| 91716-2002 | 91715-0207 | NONE | NONE | ALL | | OPEN | OPEN | 2&3 | NONE | |
| 91716-2004 | 91715-0007 | NONE | NONE | a | | OPEN | OPEN | NONE | NONE | |
| 91716-2005 | 91715-0007 | CCT 2 | NONE | h | | OPEN | OPEN | NONE | NONE | |
| 91716-2006 | 91715-0007 | CCT 4 | NONE | a | | OPEN | OPEN | NONE | NONE | |
| 91716-2007 | 91715-0007 | CCT 2 | NONE | NONE | | OPEN | OPEN | NONE | NONE | |
| 91716-2008 | 91715-0007 | CCT 6 | NONE | NONE | | OPEN | OPEN | NONE | NONE | |
| 91716-2009 | 91715-0007 | CCT 2 | NONE | b c e g | | OPEN | OPEN | NONE | BLUE | |
| 91716-2010 | 91715-0007 | CCT 4,6 | NONE | b d f | | OPEN | OPEN | NONE | RED | |
| 91716-2011 | 91715-0007 | CCT 4,6 | NONE | b d f | | OPEN | OPEN | NONE | BLUE | |
| 91716-2012 | 91715-0007 | CCT 2 | NONE | NONE | | OPEN | OPEN | NONE | BLUE | |
| 91716-2013 | 91715-0007 | CCT 2 | NONE | b d e f h | | OPEN | OPEN | NONE | BLUE | |
| 91716-2014 | 91715-0007 | CCT 4,6 | NONE | NONE | | OPEN | OPEN | NONE | BLUE | |
| 91716-2015 | 91715-0007 | CCT 4,6 | NONE | c d e f h | | OPEN | OPEN | NONE | BLUE | |
| 91716-2016 | 91715-0007 | CCT 6 | NONE | c d e f h | | OPEN | OPEN | NONE | BLUE | |
| 91716-2017 | 91715-0007 | CCT 6 | NONE | c d e f | | OPEN | OPEN | NONE | BLUE | |
| 91716-2018 | 91715-0007 | CCT 6 | NONE | NONE | | OPEN | OPEN | NONE | BLUE | |
| 91716-2019 | 91715-0007 | CCT 2 | NONE | NONE | | OPEN | OPEN | NONE | BLACK | |
| 91716-2020 | 91715-0007 | NONE | NONE | a c e f h | | OPEN | OPEN | NONE | NONE | |
| 91716-2021 | 91715-0007 | NONE | NONE | a | | OPEN | OPEN | NONE | BLACK | |
| 91716-2022 | 91715-0007 | NONE | NONE | b c d f | | OPEN | OPEN | NONE | NONE | |
| 91716-2023 | 91715-0007 | NONE | NONE | a d | | OPEN | OPEN | NONE | NONE | |
| 91716-2024 | 91715-0007 | NONE | NONE | a b e f | | OPEN | OPEN | NONE | NONE | |
| 91716-2025 | 91715-0507 | NONE | NONE | NONE | | OPEN | OPEN | 5&6 | NONE | |
| 91716-2026 | 91715-0007 | NONE | NONE | ALL | | OPEN | OPEN | NONE | NONE | |
| 91716-2027 | 91715-0007 | CCT 6 | NONE | a c d e f | | OPEN | OPEN | NONE | BLUE | |
| 91716-2028 | 91715-0007 | CCT 1,2,3,4,6 | NONE | a c f | | OPEN | OPEN | NONE | NONE | |
| 91716-2029 | 91715-0007 | CCT 4 | NONE | a | | OPEN | OPEN | NONE | RED | |
| 91716-2030 | 93473-0307 | NONE | NONE | ALL | | OPEN | OPEN | 3&4 | NONE | LOCKING RETENTION FEATURE |
| 91716-2031 | 91715-0307 | NONE | NONE | ALL | | OPEN | OPEN | 3&4 | NONE | |

| 7 CIRCUIT | | | | | | | | | | |
|-------------|--------------|------------------------|----------------|-----------------------|---------------|---------------|--------------|------------------------|---------------|---------------------------|
| PART NUMBER | HOUSING USED | TERMINAL VOID POSITION | LATCH POSITION | REMOVED POSITION KEYS | CONFIGURATION | FIRST ENDWALL | LAST ENDWALL | POLARIZING RIB BETWEEN | COLOUR STRIPE | |
| 91716-2032 | 93473-0007 | NONE | NONE | NONE | | OPEN | OPEN | NONE | NONE | LOCKING RETENTION FEATURE |
| 91716-2033 | 91715-0627 | NONE | NONE | NONE | | CLOSED | CLOSED | 6&7 | NONE | |
| 91716-2034 | 91715-0007 | NONE | NONE | b c d e f g | | OPEN | OPEN | NONE | NONE | |

N4
N4

- NOTES
- + DENOTES TERMINAL VOIDED POSITION
⊕ DENOTES TERMINAL LOADED POSITION
| DENOTES POLARIZING RIB POSITION
 - MOLEX HOUSING NO. FOR REFERENCE ONLY

| | | | | | | | | | | | | | |
|---|--|--------|--|---|--|-----------------|--|-----------------|--|--------------------|--|------------|--|
| THIS DRAWING CONTAINS INFORMATION THAT IS PROPRIETARY TO MOLEX ELECTRONIC TECHNOLOGIES, LLC AND SHOULD NOT BE USED WITHOUT WRITTEN PERMISSION | | | | | | | | | | | | | |
| DIMENSION UNITS | | SCALE | | CURRENT REV DESC: | | | | | | | | | |
| mm | | NTS | | | | | | | | | | | |
| GENERAL TOLERANCES (UNLESS SPECIFIED) | | | | APPLI-MATE 2.5 FEMALE (MATL: NYLON PA6) PRODUCT CUSTOMER DRAWING | | | | | | | | | |
| ANGULAR TOL | | ± 0.5° | | | | | | | | EC NO: 743071 | | 2023/03/21 | |
| 4 PLACES | | ± | | | | | | | | DRWN: RAHULH3 | | 2023/03/21 | |
| 3 PLACES | | ± 0.05 | | | | | | | | CHK'D: RAHULH3 | | 2023/03/21 | |
| 2 PLACES | | ± 0.1 | | | | | | | | APPR: MRAMAKRISHNA | | 2023/03/21 | |
| 1 PLACE | | ± 0.2 | | INITIAL REVISION: | | | | DOCUMENT NUMBER | | | | | |
| 0 PLACES | | ± | | DRWN: CFISHER01 | | | | 917160001 | | | | | |
| DRAFT WHERE APPLICABLE MUST REMAIN WITHIN DIMENSIONS | | | | THIRD ANGLE PROJECTION | | DRAWING | | SERIES | | | | | |
| | | | | | | A2-SIZE | | 91716 | | | | | |
| | | | | | | MATERIAL NUMBER | | CUSTOMER | | | | | |
| | | | | | | SEE TABLE | | GENERAL MARKET | | | | | |
| | | | | | | SHEET NUMBER | | 7 OF 10 | | | | | |

8 CIRCUIT

| PART NUMBER | HOUSING USED | TERMINAL VOID POSITION | LATCH POSITION | REMOVED POSITION KEYS | CONFIGURATION | FIRST ENDWALL | LAST ENDWALL | POLARIZING RIB BETWEEN | COLOUR STRIPE |
|-------------|--------------|------------------------|----------------|-----------------------|---------------|---------------|--------------|------------------------|---------------|
| 91716-2501 | 91715-0008 | NONE | NONE | NONE | | OPEN | OPEN | NONE | NONE |
| 91716-2502 | 91715-0308 | NONE | NONE | NONE | | OPEN | OPEN | 3&4 | NONE |
| 91716-2503 | 91715-0008 | NONE | NONE | cfhi | | OPEN | OPEN | NONE | NONE |
| 91716-2504 | 91715-0008 | NONE | NONE | bcdhi | | OPEN | OPEN | NONE | NONE |
| 91716-2505 | 91715-0008 | NONE | NONE | bcgh | | OPEN | OPEN | NONE | BLUE |
| 91716-2506 | 91715-0008 | NONE | NONE | cf | | OPEN | OPEN | NONE | NONE |
| 91716-2507 | 91715-0008 | NONE | NONE | cfhi | | OPEN | OPEN | NONE | BLUE |
| 91716-2508 | 91715-0008 | NONE | NONE | NONE | | OPEN | OPEN | NONE | BLUE |
| 91716-2509 | 91715-0008 | NONE | NONE | acdegi | | OPEN | OPEN | NONE | BLUE |
| 91716-2510 | 91715-0008 | NONE | NONE | cdef | | OPEN | OPEN | NONE | BLUE |
| 91716-2511 | 91715-0008 | NONE | NONE | NONE | | OPEN | OPEN | NONE | BLACK |
| 91716-2512 | 91715-0008 | NONE | NONE | cfhi | | OPEN | OPEN | NONE | BLACK |
| 91716-2513 | 91715-0008 | NONE | NONE | cdgh | | OPEN | OPEN | NONE | NONE |
| 91716-2514 | 91715-0008 | NONE | NONE | acdefghi | | OPEN | OPEN | NONE | BLUE |
| 91716-2515 | 91715-0008 | NONE | NONE | abdfhi | | OPEN | OPEN | NONE | NONE |
| 91716-2516 | 91715-0008 | NONE | NONE | bcdhi | | OPEN | OPEN | NONE | BLUE |
| 91716-2517 | 91715-2008 | NONE | NONE | NONE | | OPEN | OPEN | 1&2, 7&8 | NONE |
| 91716-2518 | 91715-0008 | NONE | NONE | bcdghi | | OPEN | OPEN | NONE | NONE |
| 91716-2519 | 91715-0008 | NONE | NONE | acefhi | | OPEN | OPEN | NONE | NONE |
| 91716-2520 | 91715-0008 | NONE | NONE | ALL | | OPEN | OPEN | NONE | NONE |
| 91716-2521 | 91715-0008 | CCT 7 & 8 | NONE | abdfhi | | OPEN | OPEN | NONE | NONE |
| 91716-2522 | 91715-0008 | NONE | NONE | bcdghi | | OPEN | OPEN | NONE | BLUE |
| 91716-2523 | 91715-0008 | CCT 2, 4 & 6 | NONE | acdefg | | OPEN | OPEN | NONE | NONE |
| 91716-2524 | 91715-0068 | CCT 2, 4 & 6 | NONE | acdefg | | CLOSED | OPEN | NONE | BROWN |
| 91716-2525 | 91715-2108 | NONE | NONE | ai | | OPEN | OPEN | 1&2, 6&7 | NONE |

9 CIRCUIT

| PART NUMBER | HOUSING USED | TERMINAL VOID POSITION | LATCH POSITION | REMOVED POSITION KEYS | CONFIGURATION | FIRST ENDWALL | LAST ENDWALL | POLARIZING RIB BETWEEN | COLOUR STRIPE |
|-------------|--------------|------------------------|----------------|-----------------------|---------------|---------------|--------------|------------------------|---------------|
| 91716-3001 | 91715-0009 | NONE | NONE | NONE | | OPEN | OPEN | NONE | NONE |
| 91716-3002 | 91715-0409 | NONE | NONE | NONE | | OPEN | OPEN | 4&5 | NONE |
| 91716-3003 | 91715-0009 | CCT 2,5,8 | NONE | NONE | | OPEN | OPEN | NONE | NONE |
| 91716-3004 | 91715-0209 | NONE | NONE | NONE | | OPEN | OPEN | 2&3 | NONE |
| 91716-3005 | 91715-0009 | CCT 2,5,8 | NONE | bcegi j | | OPEN | OPEN | NONE | GREEN |
| 91716-3006 | 91715-0009 | CCT 2,5,8 | NONE | NONE | | OPEN | OPEN | NONE | GREEN |
| 91716-3007 | 91715-0009 | CCT 2,5,8 | NONE | bcefgij | | OPEN | OPEN | NONE | GREEN |
| 91716-3008 | 91715-0009 | CCT 2,5,8 | NONE | bcefgi | | OPEN | OPEN | NONE | GREEN |
| 91716-3009 | 91715-0009 | CCT 2,5,7 | NONE | cg | | OPEN | OPEN | NONE | NONE |
| 91716-3010 | 91715-0009 | CCT 2,5,8 | NONE | bchi | | OPEN | OPEN | NONE | NONE |
| 91716-3011 | 91715-0709 | NONE | NONE | NONE | | OPEN | OPEN | 7&8 | NONE |
| 91716-3012 | 91715-0509 | NONE | NONE | NONE | | OPEN | OPEN | 5&6 | NONE |
| 91716-3013 | 91715-0029 | NONE | NONE | NONE | | CLOSED | CLOSED | NONE | NONE |

NOTES

- + DENOTES TERMINAL VOIDED POSITION
⊕ DENOTES TERMINAL LOADED POSITION
| DENOTES POLARIZING RIB POSITION
- MOLEX HOUSING NO. FOR REFERENCE ONLY

THIS DRAWING CONTAINS INFORMATION THAT IS PROPRIETARY TO MOLEX ELECTRONIC TECHNOLOGIES, LLC AND SHOULD NOT BE USED WITHOUT WRITTEN PERMISSION

| | | | | | | | | | |
|--|--------|--------------------|------------|--|--|----------------|--|--------------|--|
| DIMENSION UNITS | SCALE | CURRENT REV DESC: | | | | | | | |
| mm | NTS | | | | | | | | |
| GENERAL TOLERANCES (UNLESS SPECIFIED) | | | | APPLI-MATE 2.5 FEMALE (MATL: NYLON PA6) | | | | | |
| ANGULAR TOL ± 0.5° | | | | | | | | | |
| 4 PLACES | ± | EC NO: 743071 | 2023/03/21 | PRODUCT CUSTOMER DRAWING | | | | | |
| 3 PLACES | ± 0.05 | DRWN: RAHULH3 | 2023/03/21 | | | | | | |
| 2 PLACES | ± 0.1 | CHK'D: RAHULH3 | 2023/03/21 | DOCUMENT NUMBER: 917160001 | | | | | |
| 1 PLACE | ± 0.2 | APPR: MRAMAKRISHNA | 2023/03/21 | | | | | | |
| 0 PLACES | ± | INITIAL REVISION: | | DOC TYPE: PSD DOC PART: 000 REVISION: N4 | | | | | |
| DRAFT WHERE APPLICABLE MUST REMAIN WITHIN DIMENSIONS | | DRWN: CFISHER01 | 2016/05/06 | | | | | | |
| THIRD ANGLE PROJECTION | | APPR: BRUTTLE | 2016/07/01 | MATERIAL NUMBER | | CUSTOMER | | SHEET NUMBER | |
| | | DRAWING | SERIES | SEE TABLE | | GENERAL MARKET | | 8 OF 10 | |
| | | A2-SIZE | 91716 | | | | | | |

| 10 CIRCUIT | | | | | | | | | |
|-------------|--------------|------------------------|----------------|-----------------------|---------------|---------------|--------------|------------------------|---------------|
| PART NUMBER | HOUSING USED | TERMINAL VOID POSITION | LATCH POSITION | REMOVED POSITION KEYS | CONFIGURATION | FIRST ENDWALL | LAST ENDWALL | POLARIZING RIB BETWEEN | COLOUR STRIPE |
| 91716-3501 | 91715-0010 | NONE | NONE | NONE | | OPEN | OPEN | NONE | NONE |
| 91716-3502 | 91715-0210 | NONE | NONE | ALL | | OPEN | OPEN | 2&3 | NONE |
| 91716-3503 | 91715-0010 | Cct 2,5,7,9 | NONE | NONE | | OPEN | OPEN | NONE | NONE |
| 91716-3504 | 91715-0410 | NONE | NONE | NONE | | OPEN | OPEN | 4&5 | NONE |
| 91716-3505 | 91715-0010 | NONE | NONE | b c d e f g h i j | | OPEN | OPEN | NONE | NONE |
| 91716-3506 | 91715-0010 | NONE | NONE | a | | OPEN | OPEN | NONE | NONE |

| 11 CIRCUIT | | | | | | | | | |
|-------------|--------------|------------------------|----------------|-----------------------|---------------|---------------|--------------|------------------------|---------------|
| PART NUMBER | HOUSING USED | TERMINAL VOID POSITION | LATCH POSITION | REMOVED POSITION KEYS | CONFIGURATION | FIRST ENDWALL | LAST ENDWALL | POLARIZING RIB BETWEEN | COLOUR STRIPE |
| 91716-4001 | 91715-0011 | NONE | NONE | NONE | | OPEN | OPEN | NONE | NONE |
| 91716-4002 | 91715-0031 | NONE | NONE | NONE | | CLOSED | CLOSED | NONE | NONE |
| 91716-4003 | 91715-0511 | NONE | NONE | NONE | | OPEN | OPEN | 5&6 | NONE |
| 91716-4004 | 91715-1031 | NONE | NONE | NONE | | CLOSED | CLOSED | 10&11 | NONE |
| 91716-4005 | 91715-1011 | NONE | NONE | NONE | | OPEN | OPEN | 10&11 | NONE |
| 91716-4006 | 91715-0011 | CCT 5,6,7 | NONE | NONE | | OPEN | OPEN | NONE | NONE |
| 91716-4007 | 91715-0011 | CCT 5,6,7 | NONE | a d e f h i j l | | OPEN | OPEN | NONE | NONE |
| 91716-4008 | 91715-0011 | CCT 5,6,7 | NONE | a b e f g i j k | | OPEN | OPEN | NONE | NONE |
| 91716-4009 | 91715-0011 | NONE | NONE | b c d e f g h i j k | | OPEN | OPEN | NONE | NONE |

| 12 CIRCUIT | | | | | | | | | |
|-------------|--------------|------------------------|----------------|-----------------------|---------------|---------------|--------------|------------------------|---------------|
| PART NUMBER | HOUSING USED | TERMINAL VOID POSITION | LATCH POSITION | REMOVED POSITION KEYS | CONFIGURATION | FIRST ENDWALL | LAST ENDWALL | POLARIZING RIB BETWEEN | COLOUR STRIPE |
| 91716-4501 | 91715-0012 | NONE | NONE | NONE | | OPEN | OPEN | NONE | NONE |
| 91716-4502 | 91715-0012 | CCT 2,5,8,11 | NONE | b c d e j k l | | OPEN | OPEN | NONE | GREEN |
| 91716-4503 | 91715-0012 | CCT 2,5,8,11 | NONE | NONE | | OPEN | OPEN | NONE | GREEN |
| 91716-4504 | 91715-0012 | CCT 2,5,8,11 | NONE | a c d e g h i k l m | | OPEN | OPEN | NONE | GREEN |
| 91716-4505 | 91715-0012 | CCT 2,5,8,11 | NONE | c d e g h i k l m | | OPEN | OPEN | NONE | GREEN |

NOTES

- + DENOTES TERMINAL VOIDED POSITION
 ⊕ DENOTES TERMINAL LOADED POSITION
 | DENOTES POLARIZING RIB POSITION
- MOLEX HOUSING NO. FOR REFERENCE ONLY

| 13 CIRCUIT | | | | | | | | | |
|-------------|--------------|------------------------|----------------|-----------------------|---------------|---------------|--------------|------------------------|---------------|
| PART NUMBER | HOUSING USED | TERMINAL VOID POSITION | LATCH POSITION | REMOVED POSITION KEYS | CONFIGURATION | FIRST ENDWALL | LAST ENDWALL | POLARIZING RIB BETWEEN | COLOUR STRIPE |
| 91716-5001 | 91715-0013 | NONE | NONE | NONE | | OPEN | OPEN | NONE | NONE |
| 91716-5002 | 91715-0013 | CCT 4,6,8,10,12 | NONE | NONE | | OPEN | OPEN | NONE | NONE |
| 91716-5003 | 91715-0013 | NONE | NONE | c f h i k l | | OPEN | OPEN | NONE | NONE |

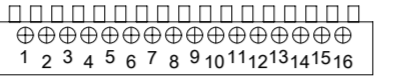
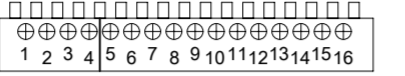
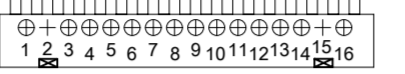
| 14 CIRCUIT | | | | | | | | | |
|-------------|--------------|------------------------|----------------|-----------------------|---------------|---------------|--------------|------------------------|---------------|
| PART NUMBER | HOUSING USED | TERMINAL VOID POSITION | LATCH POSITION | REMOVED POSITION KEYS | CONFIGURATION | FIRST ENDWALL | LAST ENDWALL | POLARIZING RIB BETWEEN | COLOUR STRIPE |
| 91716-5501 | 91715-0014 | NONE | NONE | NONE | | OPEN | OPEN | NONE | NONE |

| 15 CIRCUIT | | | | | | | | | |
|-------------|--------------|------------------------|----------------|-----------------------|---------------|---------------|--------------|------------------------|---------------|
| PART NUMBER | HOUSING USED | TERMINAL VOID POSITION | LATCH POSITION | REMOVED POSITION KEYS | CONFIGURATION | FIRST ENDWALL | LAST ENDWALL | POLARIZING RIB BETWEEN | COLOUR STRIPE |
| 91716-6001 | 91715-0015 | NONE | NONE | NONE | | OPEN | OPEN | NONE | NONE |
| 91716-6002 | 91715-0015 | CCT 4,6,8,10,12,14 | NONE | o p | | OPEN | OPEN | NONE | NONE |
| 91716-6003 | 91715-0515 | NONE | NONE | a p | | OPEN | OPEN | 5&6 | NONE |

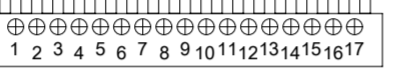
THIS DRAWING CONTAINS INFORMATION THAT IS PROPRIETARY TO MOLEX ELECTRONIC TECHNOLOGIES, LLC AND SHOULD NOT BE USED WITHOUT WRITTEN PERMISSION

| | | | | | | | |
|--|--------|------------------------|------------|---|-----------------|----------------|--------------|
| DIMENSION UNITS | SCALE | CURRENT REV DESC: | | molex | | | |
| mm | NTS | | | | | | |
| GENERAL TOLERANCES (UNLESS SPECIFIED) | | | | APPLI-MATE 2.5 FEMALE (MATL: NYLON PA6) | | | |
| ANGULAR TOL ± 0.5° | | | | | | | |
| 4 PLACES | ± | EC NO: 743071 | 2023/03/21 | PRODUCT CUSTOMER DRAWING | | | |
| 3 PLACES | ± 0.05 | DRWN: RAHULH3 | 2023/03/21 | | | | |
| 2 PLACES | ± 0.1 | CHK'D: RAHULH3 | 2023/03/21 | | | | |
| 1 PLACE | ± 0.2 | APPR: MRAMAKRISHNA | 2023/03/21 | DOCUMENT NUMBER | | | |
| 0 PLACES | ± | INITIAL REVISION: | | | | | |
| DRAFT WHERE APPLICABLE MUST REMAIN WITHIN DIMENSIONS | | THIRD ANGLE PROJECTION | DRAWING | SERIES | MATERIAL NUMBER | CUSTOMER | SHEET NUMBER |
| | | | A2-SIZE | 91716 | SEE TABLE | GENERAL MARKET | 9 OF 10 |

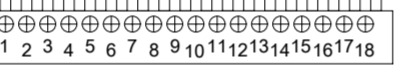
16 CIRCUIT

| PART NUMBER | HOUSING USED | TERMINAL VOID POITION | LATCH POSITION | REMOVED POSITION KEYS | CONFIGURATION | FIRST ENDWALL | LAST ENDWALL | POLARIZING RIB BETWEEN | COLOUR STRIPE |
|-------------|--------------|-----------------------|----------------|-----------------------|--|---------------|--------------|------------------------|---------------|
| 91716-6501 | 91715-0016 | NONE | NONE | NONE |  | OPEN | OPEN | NONE | NONE |
| 91716-6502 | 91715-0416 | NONE | NONE | NONE |  | OPEN | OPEN | 4&5 | NONE |
| 91716-6503 | 91715-7076 | CCT 2 & 15 | CCT 2 & 15 | NONE |  | CLOSED | OPEN | NONE | NONE |

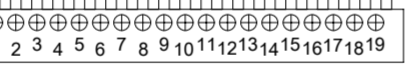
17 CIRCUIT

| PART NUMBER | HOUSING USED | TERMINAL VOID POITION | LATCH POSITION | REMOVED POSITION KEYS | CONFIGURATION | FIRST ENDWALL | LAST ENDWALL | POLARIZING RIB BETWEEN | COLOUR STRIPE |
|-------------|--------------|-----------------------|----------------|-----------------------|--|---------------|--------------|------------------------|---------------|
| 91716-7001 | 91715-0017 | NONE | NONE | NONE |  | OPEN | OPEN | NONE | NONE |

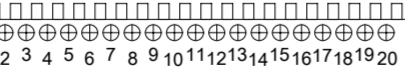
18 CIRCUIT

| PART NUMBER | HOUSING USED | TERMINAL VOID POITION | LATCH POSITION | REMOVED POSITION KEYS | CONFIGURATION | FIRST ENDWALL | LAST ENDWALL | POLARIZING RIB BETWEEN | COLOUR STRIPE |
|-------------|--------------|-----------------------|----------------|-----------------------|---|---------------|--------------|------------------------|---------------|
| 91716-7501 | 91715-0018 | NONE | NONE | NONE |  | OPEN | OPEN | NONE | NONE |

19 CIRCUIT

| PART NUMBER | HOUSING USED | TERMINAL VOID POITION | LATCH POSITION | REMOVED POSITION KEYS | CONFIGURATION | FIRST ENDWALL | LAST ENDWALL | POLARIZING RIB BETWEEN | COLOUR STRIPE |
|-------------|--------------|-----------------------|----------------|-----------------------|--|---------------|--------------|------------------------|---------------|
| 91716-8001 | 91715-0019 | NONE | NONE | NONE |  | OPEN | OPEN | NONE | NONE |


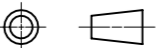
20 CIRCUIT

| PART NUMBER | HOUSING USED | TERMINAL VOID POITION | LATCH POSITION | REMOVED POSITION KEYS | CONFIGURATION | FIRST ENDWALL | LAST ENDWALL | POLARIZING RIB BETWEEN | COLOUR STRIPE |
|-------------|--------------|-----------------------|----------------|-----------------------|--|---------------|--------------|------------------------|---------------|
| 91716-8501 | 91715-0020 | NONE | NONE | NONE |  | OPEN | OPEN | NONE | NONE |

NOTES

- + DENOTES TERMINAL VOIDED POSITION
⊕ DENOTES TERMINAL LOADED POSITION
| DENOTES POLARIZING RIB POSITION
- MOLEX HOUSING NO. FOR REFERENCE ONLY

THIS DRAWING CONTAINS INFORMATION THAT IS PROPRIETARY TO MOLEX ELECTRONIC TECHNOLOGIES, LLC AND SHOULD NOT BE USED WITHOUT WRITTEN PERMISSION

| | | | | | | | | | |
|---|-------|--------------------|--|---|--|----------------------------|--|------------------------|--|
| DIMENSION UNITS | SCALE | CURRENT REV DESC: | |  | | | | | |
| mm | NTS | | | | | | | | |
| GENERAL TOLERANCES (UNLESS SPECIFIED) | | EC NO: 743071 | | APPLI-MATE 2.5 FEMALE (MATL: NYLON PA6) | | | | | |
| ANGULAR TOL ± 0.5° | | DRWN: RAHULH3 | | | | | | | |
| 4 PLACES ± | | 2023/03/21 | | PRODUCT CUSTOMER DRAWING | | | | | |
| 3 PLACES ± 0.05 | | CHK'D: RAHULH3 | | | | | | | |
| 2 PLACES ± 0.1 | | 2023/03/21 | | DOCUMENT NUMBER: 917160001 | | | | | |
| 1 PLACE ± 0.2 | | APPR: MRAMAKRISHNA | | | | | | | |
| 0 PLACES ± | | INITIAL REVISION: | | DOC TYPE: PSD | | DOC PART: 000 | | REVISION: N4 | |
| DRAFT WHERE APPLICABLE MUST REMAIN WITHIN DIMENSIONS | | DRWN: CFISHER01 | | 2016/05/06 | | CUSTOMER: GENERAL MARKET | | SHEET NUMBER: 10 OF 10 | |
| THIRD ANGLE PROJECTION | | APPR: BRUTTLE | | 2016/07/01 | | MATERIAL NUMBER: SEE TABLE | | SERIES: 91716 | |
|  | | DRAWING: A2-SIZE | | SERIES: 91716 | | CUSTOMER: GENERAL MARKET | | SHEET NUMBER: 10 OF 10 | |

| | | | | |
|-----------------|----|--------------|------------|----------|
| DOCUMENT STATUS | P1 | RELEASE DATE | 2023/03/21 | 09:38:20 |
|-----------------|----|--------------|------------|----------|