

MATERIALS AND FINISHES:

BNC STR. PLUG

BODY, CRIMP TUBE, COUPLING NUT, OUTER CONTACT, WASHER: BRASS
PLATED NICKEL

CONTACT: BRASS
PLATED GOLD

INSULATOR: TEFLON

GASKET: SILICONE RUBBER

WAVE WASHER: BERYLLIUM COPPER
PLATED NICKEL

CABLE: RG59 COAXIAL CABLE

CABLE: RG59 OR EQUIVALENT

SHRINK TUBE: VERSAFIT OR EQUIVALENT

PACKAGING: BY POLY BAG

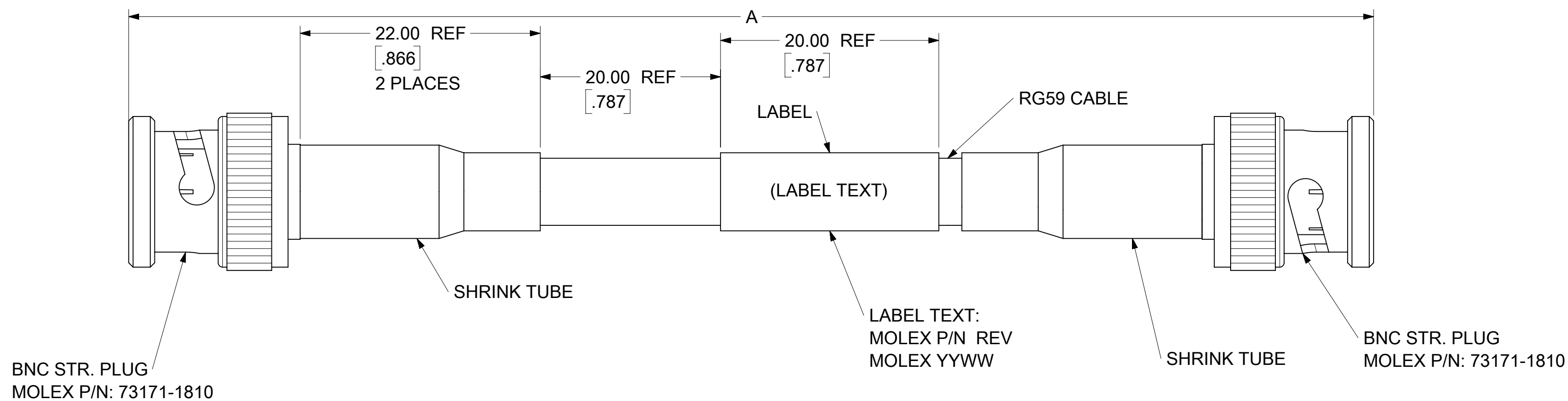
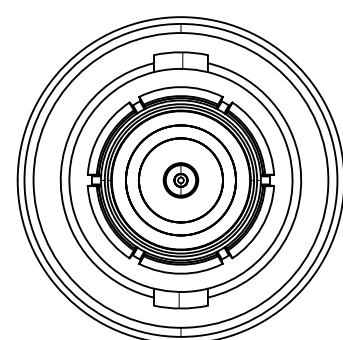


TABLE 2:

73230-5287	72.000±.750	1828.80±19.05
73230-5286	60.000±.700	1524.00±17.78
73230-5285	48.000±.650	1219.20±16.51
73230-5284	36.000±.500	914.40±12.70
73230-5283	24.000±.400	609.6±10.16
73230-5282	18.000±.250	457.20±6.35
73230-5281	12.000±.200	304.80±5.08
73230-5280	6.000±.100	152.40±2.54
PART NO.	IN	MM
	DIM A	

TABLE 1:

MIL-STD-348A, FIG. 301.1	INTERFACE
SPECIFICATION	DESCRIPTION

molex

CA BNC PLUG STR TO BNC PLUG STR
WITH RG59 CABLE EWR#14548-A

PRODUCT CUSTOMER DRAWING

DOCUMENT NUMBER	DOC TYPE	DOC PART	REVISION
732305280	PSD	000	A
MATERIAL NUMBER	CUSTOMER	SHEET NUMBER	
SEE TABLE 2	GENERAL MARKET	1 OF 1	

FUNCTIONAL SYMBOLS	THIS DRAWING CONTAINS INFORMATION THAT IS PROPRIETARY TO MOLEX ELECTRONIC TECHNOLOGIES, LLC AND SHOULD NOT BE USED WITHOUT WRITTEN PERMISSION		CURRENT REV DESC: NEW RELEASE	
$\frac{E}{A} = 0$	DIMENSION UNITS	SCALE		
$\frac{E}{C} = 0$	MM/INCH	3:1		
$\frac{E}{P} = 0$	GENERAL TOLERANCES (UNLESS SPECIFIED)			
#####	ANGULAR TOL	± °		
	4 PLACES	±	EC NO: 675763	
	3 PLACES	±	DRWN: WANGR2	2021/06/17
	2 PLACES	±	CHK'D: MYLU07	2021/08/30
	1 PLACE	±	APPR: LCHEN03	2021/08/30
	0 PLACES	±	INITIAL REVISION:	
	DRAFT WHERE APPLICABLE MUST REMAIN WITHIN DIMENSIONS		DRWN: WANGR2	2021/06/17
	THIRD ANGLE PROJECTION		APPR: LCHEN03	2021/08/30
	DRAWING	SERIES		
	C-SIZE	73230		