

10 9 8 7 6 5 4 3 2 1

F

E

D

C

B

A

F

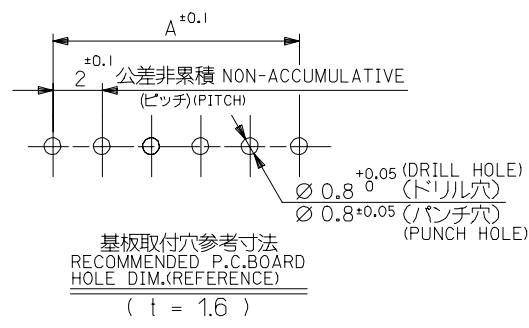
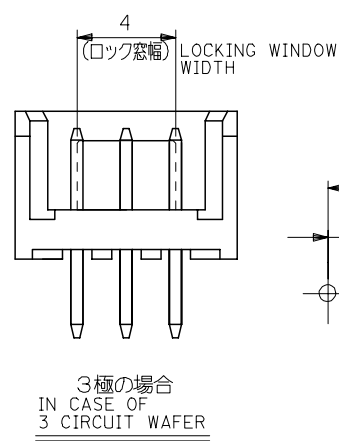
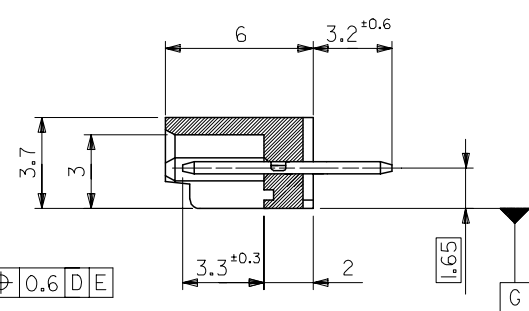
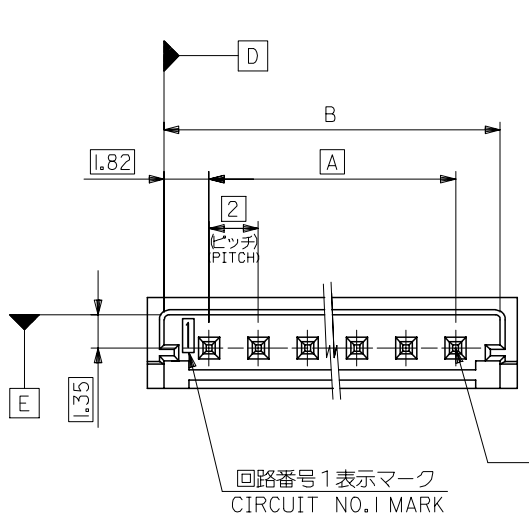
E

D

C

B

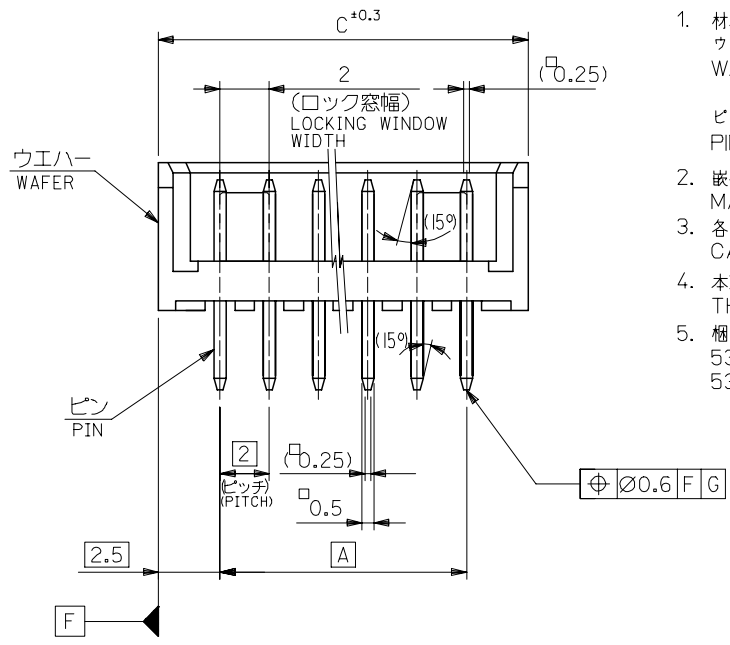
A



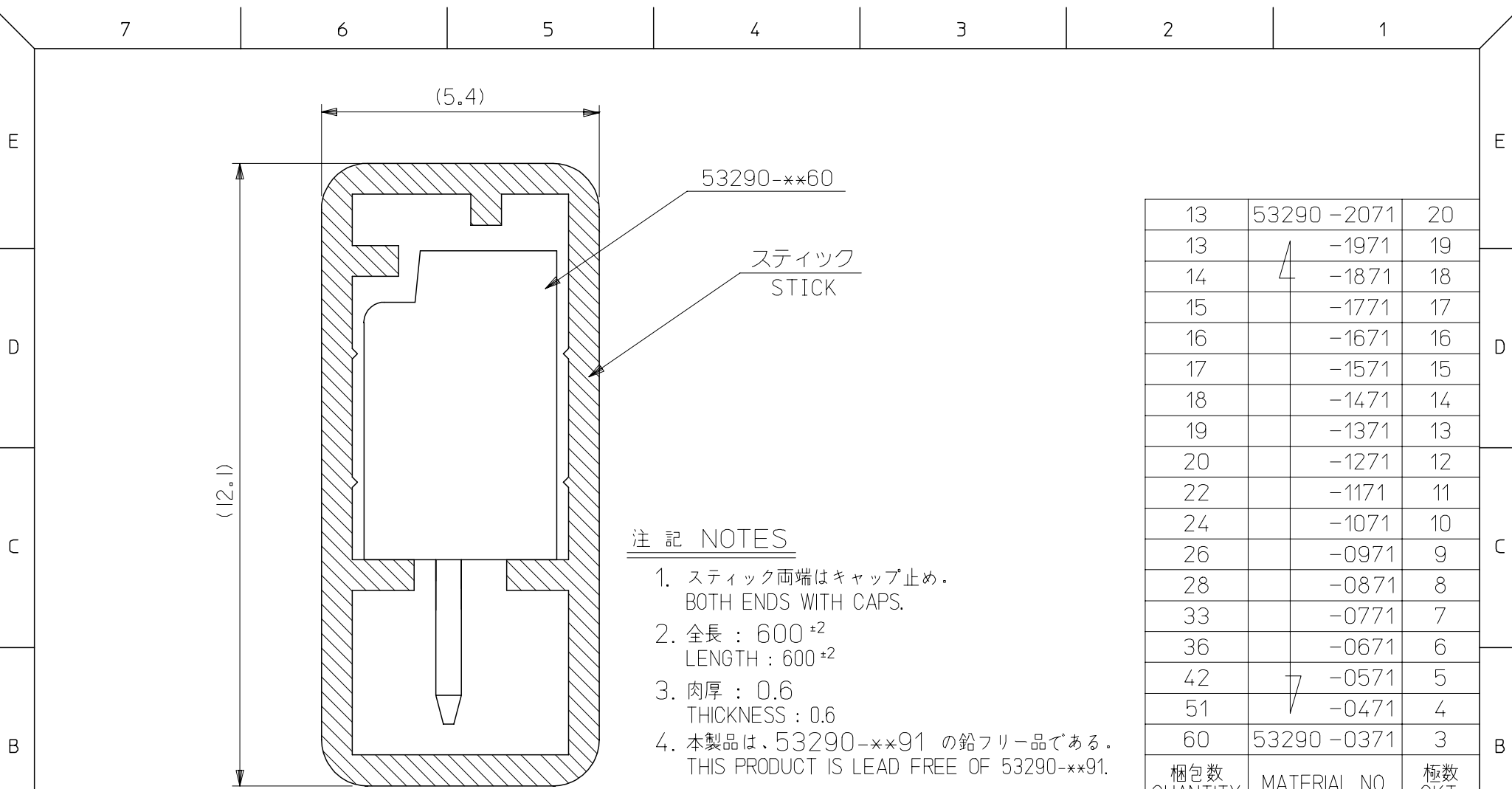
注記 NOTES

1. 材料 MATERIAL
ウエハー: PBT (ガラス 15% 入り)
WAFER G.F. 15%
UL94V-0
ピン: 黄銅, 錫メッキ
PIN: BRASS, TIN
2. 嵌合相手: 52418 シリーズ
MATE WITH: 52418 SERIES
3. 各部のソリは 0.2MAX.
CAMBER: 0.2MAX.
4. 本製品は、53290-**20 の鉛フリー品である。
THIS PRODUCT IS LEAD FREE OF 53290-**20.
5. 梱包仕様 PACKAGING
53290-**60 トレー TRAY
53290-**50 ポリ袋 POLYBAG

43	41.64	38	53290-2050	53290-2060	20
41	39.64	36	-1950	-1960	19
39	37.64	34	-1850	-1860	18
37	35.64	32	-1750	-1760	17
35	33.64	30	-1650	-1660	16
33	31.64	28	-1550	-1560	15
31	29.64	26	-1450	-1460	14
29	27.64	24	-1350	-1360	13
27	25.64	22	-1250	-1260	12
25	23.64	20	-1150	-1160	11
23	21.64	18	-1050	-1060	10
21	19.64	16	-0950	-0960	9
19	17.64	14	-0850	-0860	8
17	15.64	12	-0750	-0760	7
15	13.64	10	-0650	-0660	6
13	11.64	8	-0550	-0560	5
11	9.64	6	-0450	-0460	4
9	7.64	4	53290-0350	53290-0360	3
C	B	A	MATERIAL NO.	MATERIAL NO.	極数 CKT



REVISED EC NO: J2005-2460 DRAWN: NAIDA CHKD: KTOJO APPR: NUKITA 2005/02/25 2005/02/28 2005/03/07	GENERAL TOLERANCES (UNLESS SPECIFIED)		DIMENSION STYLE MM ONLY		SCALE ---	DESIGN UNITS METRIC	THIRD ANGLE PROJECTION		
	10 UNDER ±0.2 10 OVER 30 UNDER ±0.25 30 OVER ±0.3	DRAWN BY J. SASAMO DATE 2004/8/20		TITLE 2.0 BOARD TO BOARD CONN. WAFER ASS'Y -LEAD FREE-		MOLEX INCORPORATED DOCUMENT NO. SD-53290-006 SHEET NO. 1 OF 1			
	ANGULAR ±3 ° DRAFT WHERE APPLICABLE MUST REMAIN WITHIN DIMENSIONS	APPROVED BY N. UKITA DATE 2004/8/20		SEE CHART					
	SIZE A3	THIS DRAWING CONTAINS INFORMATION THAT IS PROPRIETARY TO MOLEX INCORPORATED AND SHOULD NOT BE USED WITHOUT WRITTEN PERMISSION							



注記 NOTES

1. スティック両端はキャップ止め。
BOTH ENDS WITH CAPS.
2. 全長 : 600 ±2
LENGTH : 600 ±2
3. 肉厚 : 0.6
THICKNESS : 0.6
4. 本製品は、53290-**91 の鉛フリー品である。
THIS PRODUCT IS LEAD FREE OF 53290-**91.

梱包数 QUANTITY	MATERIAL NO.	極数 CKT.
13	53290 -2071	20
13	-1971	19
14	-1871	18
15	-1771	17
16	-1671	16
17	-1571	15
18	-1471	14
19	-1371	13
20	-1271	12
22	-1171	11
24	-1071	10
26	-0971	9
28	-0871	8
33	-0771	7
36	-0671	6
42	-0571	5
51	-0471	4
60	53290 -0371	3

MATERIAL
スティック : ポリ塩化ビニル
STICK : PVC

REVISED EC NO: J2005-2021 DRWN: JHOSOKAWA 2005/01/18 CHKD: KTOJO 2005/01/27 APPR: NUKITA 2005/01/27	GENERAL TOLERANCES (UNLESS SPECIFIED)		DIMENSION STYLE MM ONLY		SCALE ---	DESIGN UNITS METRIC	THIRD ANGLE PROJECTION
	10 UNDER	±---	DRAWN BY J.SASAMO	DATE 2004/8/20	TITLE STICK PACKAGING FOR 53290-**60 -LEAD FREE-		
	10 OVER 30 UNDER	±---	CHECKED BY K.TOJO	DATE 2004/8/20			
	30 OVER	±---	APPROVED BY N.UKITA	DATE 2004/8/20	MOLEX INCORPORATED		
	ANGULAR	±--- °	MATERIAL NO. 53290-**71	DOCUMENT NO. SD-53290-007			
DRAFT WHERE APPLICABLE MUST REMAIN WITHIN DIMENSIONS		THIS DRAWING CONTAINS INFORMATION THAT IS PROPRIETARY TO MOLEX INCORPORATED AND SHOULD NOT BE USED WITHOUT WRITTEN PERMISSION					