

REVISIONS					
REV	ECO	DESCRIPTION	DATE	BY	APPR
A1	-	RELEASED DRAWING	9/1/2021	RO	RO

ASSEMBLED VIEW

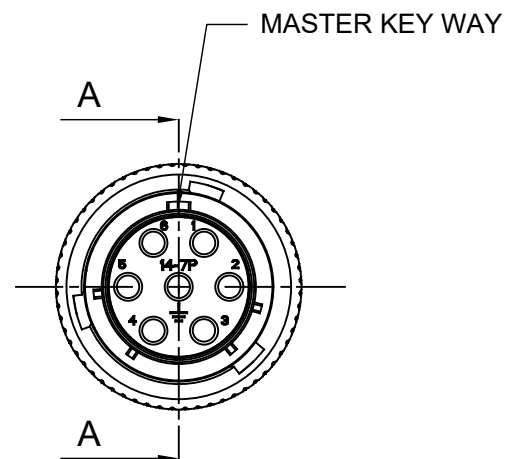
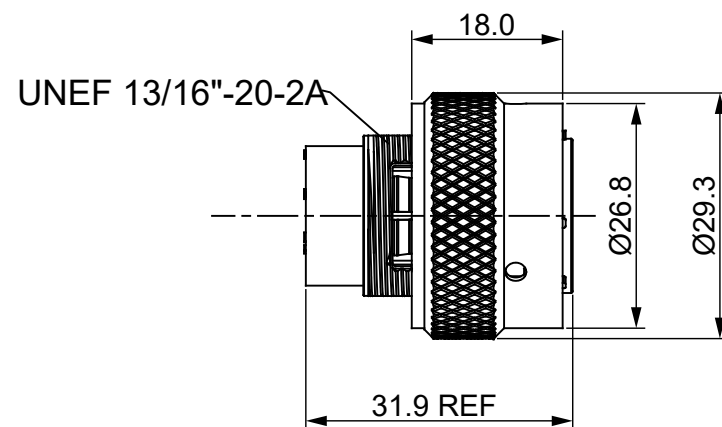
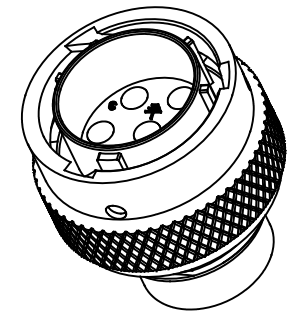
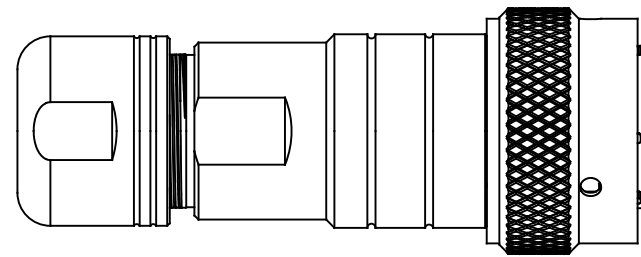
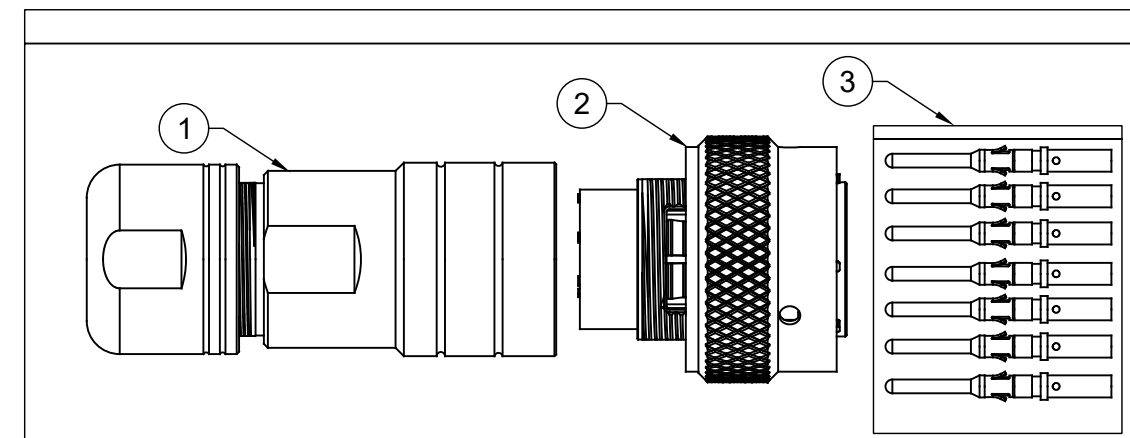


ILLUSTRATION: COMPLETE KIT



NOTES:

- MATERIAL:  
SHELL: ZINC ALLOY, NICKEL PLATED.  
INSERT: THERMOPLASTIC, UL94 V-0.  
COUPLING NUT: AL ALLOY, NICKEL PLATED.  
O-RING: NBR/SILICONE RUBBER.
- SPECIFICATIONS:  
2.1 RATED CURRENT: 13A (MAX).  
2.2 RATED VOLTAGE: 500V (AC/DC) .  
2.3 OPERATING TEMPERATURE: -40C TO +105C.  
2.4 DIELECTRIC WITHSTANDING VOLTAGE: LESS THAN 2 MILLIAMPS CURRENT LEAKAGE@2000 VOLTS AC.  
2.5 INSULATION RESISTANCE: 5000 MEGOHMS MIN.  
2.6 IP--CLASS: IP67 (IN MATED CONDITION).  
2.7 MATING CYCLES DURABILITY: 500 CYCLES MIN.  
2.8 RoHS COMPLIANT.
- SUITABLE CONTACTS : 16# CONTACTS.
- ALL DIMENSIONS ARE FOR REFERENCE USE ONLY.

7	MP16M23F	PIN,SIZE 16,16-18AWG GOLD	3
1	RT06147PNH	PLUG,MALE,14-7	2
1	RT0L-14CG-NS1	CORD GRIP,SHELL 14,6.5-10MM	1
QUANTITY	PART NUMBER	DESCRIPTION	ITEM

MATERIALS LIST

UNLESS OTHERWISE SPECIFIED 1) All dimensions are in metric(mm). 2) Tolerances are as follows: 1 PL DEC ±0.30 2 PL DEC ±0.15 3 PL DEC ±0.08 Fractions ±1/64 Angles ±1° 3) Note reference =		SIGNATURES DRAWN: RO CHECKED: RO ENGINEER: RO APPROVAL: RO	DATE 9/1/2021 9/1/2021 9/1/2021	<h1>Amphenol</h1> <p>Sine Systems - www.amphenol-sine.com 44724 Morley Drive Clinton Township, MI 48036</p>
MATERIAL SPECIFICATIONS:	CUSTOMER:	PLUG KIT, JAM NUT,7POS,MALE, SHELL SIZE 14, MACHINED CONTACTS		
PROCESS SPECIFICATIONS:	THIS DRAWING IS SUPPLIED FOR INFORMATION ONLY. DESIGN FEATURES, SPECIFICATIONS AND PERFORMANCE DATA SHOWN HEREON ARE THE PROPERTY OF THE AMPHENOL CORPORATION. NO RIGHTS OF REPRODUCTION ARE IMPLIED. ALL DIMENSIONS ARE SUBJECT TO NORMAL MANUFACTURING VARIATIONS.		SIZE <b>B</b>	TYPE <b>C-</b>
NEXT ASSY:	SCALE: NONE	DWG NO: <b>RT06147PNH-K</b>	REVISION <b>A1</b>	SHEET 1 OF 1

TITLE: ECO-MATE KIT,PLUG SIZE 14,7POS,PN

DWG NO: RT06147PNH-K

REV: A1

SH: 1

OF: 1