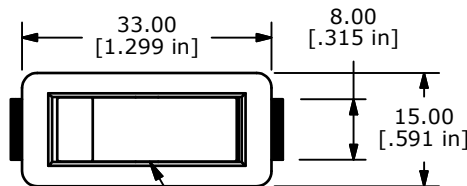
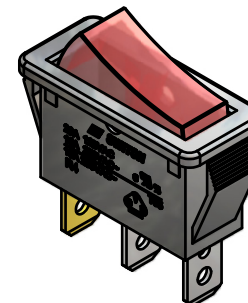


RECOMMENDED PANEL MOUNTING

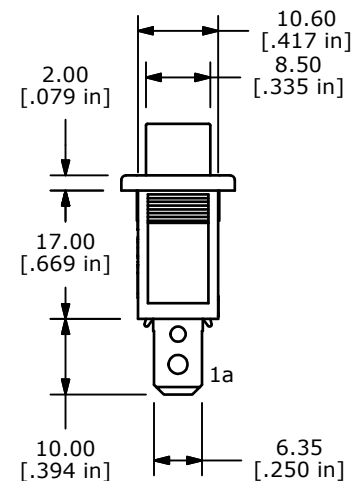
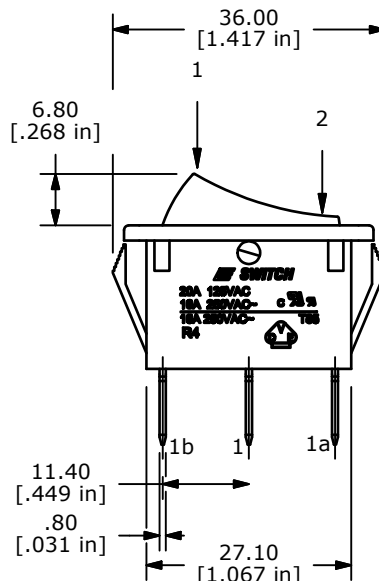
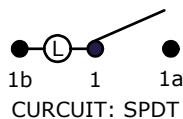
PANEL THICKNESS	X± 0.05
0.75-1.25	29.6-29.7
1.25-2.00	30.1-30.2
2.00-3.00	30.45-30.55

▲HOUSING COLOR: BLACK

ROCKER COLOR: RED ILLUMINATED▲



SWITCH FUNCTION	
POS. 1	POS. 2
ON	OFF
1-1a	OPEN



NOTES:

- ALL DIMENSIONS IN MM [INCH]
- GENERAL TOLERANCE: X.X=± 0.4  
X.XX=± 0.25
- TERM. NOS. FOR REF. ONLY
- ▲ RATING: 20A 125VAC, 16A 250VAC UL APPROVED B  
16A 250VAC VDE APPROVED
- ELECTRICAL LIFE: OVER 10,000 CYCLES
- MECHANICAL LIFE: OVER 30,000 CYCLES
- CONTACT RESISTANCE: <20 mΩ(INITIAL)
- DIELECTRIC STRENGTH: >1500V 1 min
- INSULATION RESISTANCE: >1,000 mΩ @ 500V DC
- LAMP VOLTAGE: NEON-125VAC
- OPERATING TEMPERATURE: TERMINAL SIDE -20°C to 85°C  
ROCKER SIDE -20°C to 55°C
- ▲ DENOTES CRITICAL PARAMETER
- 2002/95/EC (ROHS) COMPLIANT

C	19898	UPDATE DRAWING	04/29/11	BMA
B	15815	EDIT RATING	2/23/06	PH
A	15795	NEW RELEASE	2/20/06	PH
REV	PCR NO	DESCRIPTION	DATE	BY



TITLE R4JBLKRILEF1

SCALE	DATE	DR	DWG	REV
1:1	2/20/2006	PH	M041003	C

THE INFORMATION CONTAINED IN THIS DOCUMENT IS PROPRIETARY TO E-SWITCH AND IS NOT TO BE COPIED OR TRANSFERRED