

SCALE DRAWING 1:1

LFB143064-100



IMPEDANCE (Z) NET ^{SEE NOTE 1}

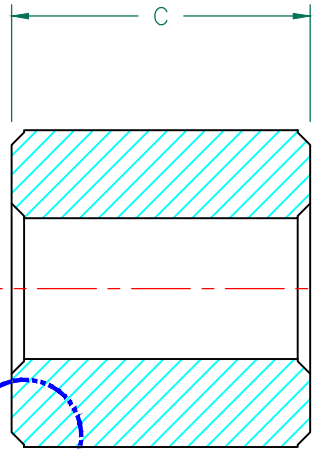
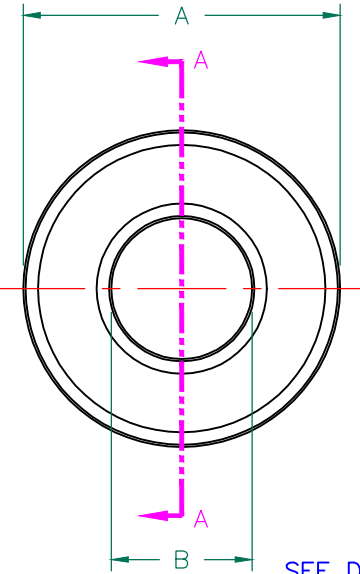
FREQUENCY	500 KHz	1 MHz	5 MHz
NOMINAL (REF.) 1 TURN	33 Ω	57 Ω	53 Ω
MINIMUM (SPEC.) 1 TURN	- Ω	45 Ω	- Ω
NOMINAL (REF.) 2 TURNS	145 Ω	220 Ω	215 Ω
NOMINAL (REF.) 3 TURNS	325 Ω	500 Ω	475 Ω

TEST CRITERIA

METER HP4396A OR EQUIVALENT
 FIXTURE HP16092A OR EQUIVALENT

NOTES: UNLESS OTHERWISE SPECIFIED

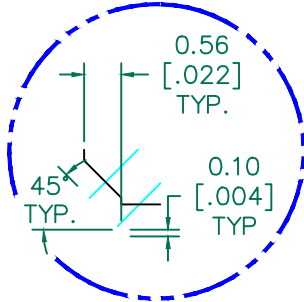
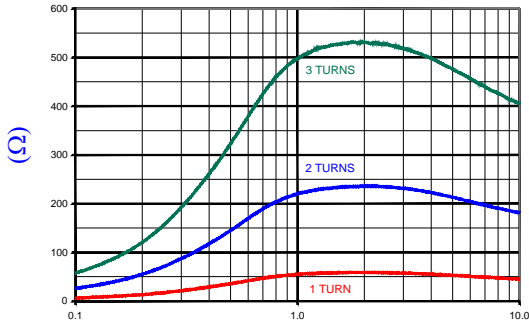
- NET IMPEDANCE IS IMPEDANCE OF THE FERRITE CORE ONLY. ALL IMPEDANCE CONTRIBUTION FROM TEST WIRE AND FIXTURES HAS BEEN REMOVED.
- COSMETIC SPECIFICATION REFER TO WI-QA-038.



SECTION A-A

SEE DETAIL "A"

Z vs. FREQUENCY
 1 TURN, 2, AND 3 TURNS
 (REF. ONLY)



DETAIL "A"
 CHAMFER
 SCALE=9:1

AGILENT E4991A RF Impedance/Material Analyzer
 HP 16092A Test Fixture REF# 2715

FERRITE CORE DIMENSIONS (SPEC):

A	14.27 [.562]	±	0.25 [.010]
B	6.35 [.250]	±	0.25 [.010]
C	13.46 [.530]	±	0.25 [.010]

WEIGHT/1000 8.08 kgs [17.81 Lbs]

DIMENSIONS ARE IN mm [INCHES].				This print is the property of Laird Tech. and is loaned in confidence subject to return upon request and with the understanding that no copies shall be made without the written consent of Laird Tech. All rights to design or invention are reserved.		
E	UPDATE THE LOGO	06/19/15	QIU	PROJECT/PART NUMBER: LFB143064-100		
D	UPDATE COMPANY LOGO	07/13/08	TMB			
C	REMOVE MIN SPEC @ 500 KHz	02/10/06	TMB	REV	PART TYPE:	DRAWN BY:
B	UPDATE TOLS. ON DIMENSIONS A & B ADD TEST REF TO CURVE	12/22/04	JRK	E	FERRITE CORE	TMB
A	ORIGINAL DRAFT	09/30/02	TMB	DATE:	SCALE:	MATERIAL:
REV	DESCRIPTION	DATE	INT	09/30/02	3:1	LF
				CAD #	TOOL #	
				LFB143064-100-E	B0562	

