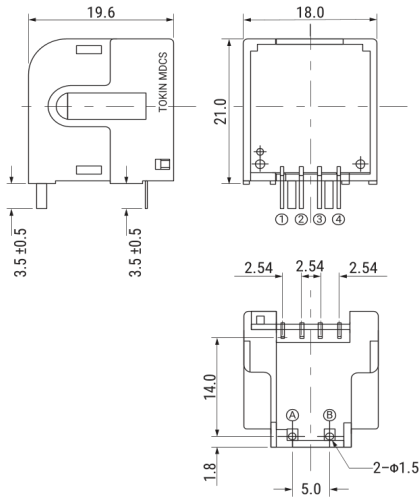


LA12-10V21

Aliases (USEL10V2100000)

KEMET, LA12, Current, Through-Hole, DC/AC/Pulse, AC, DC and Pulse Current Detection



Click [here](#) for the 3D model.

Dimensions

L	19.6mm NOM
W	18mm NOM
H	21mm NOM
LL	3.5mm +/-0.5mm

Packaging Specifications

Packaging	Tray
Packaging Quantity	400
Component Weight	9 g

General Information

Series	LA12
Type	Current
Style	Through-Hole
Description	Magnetic Direct Current Sensors
Features	AC, DC and Pulse Current Detection
Lead	Tab Leads
RoHS	With Exemptions
REACH	SVHC (Pb - CAS 7439-92-1)
Notes	Primary Side Windings: 6 turns

Specifications

Temperature Range	-10/+75°C
Voltage AC	2000 per minute
Residual Voltage	2500 V +/- 0.06 V
Power Supply Voltage	12 V +/- 5% (30mV MAX)
Insulation Withstanding Voltage	2000 VAC per minute
Insulation Resistance	500 MOhms (At 500 VDC, between wires and terminal)
Current	10 Amps

Statements of suitability for certain applications are based on our knowledge of typical operating conditions for such applications, but are not intended to constitute - and we specifically disclaim - any warranty concerning suitability for a specific customer application or use. This Information is intended for use only by customers who have the requisite experience and capability to determine the correct products for their application. Any technical advice inferred from this Information or otherwise provided by us with reference to the use of our products is given gratis, and we assume no obligation or liability for the advice given or results obtained.