

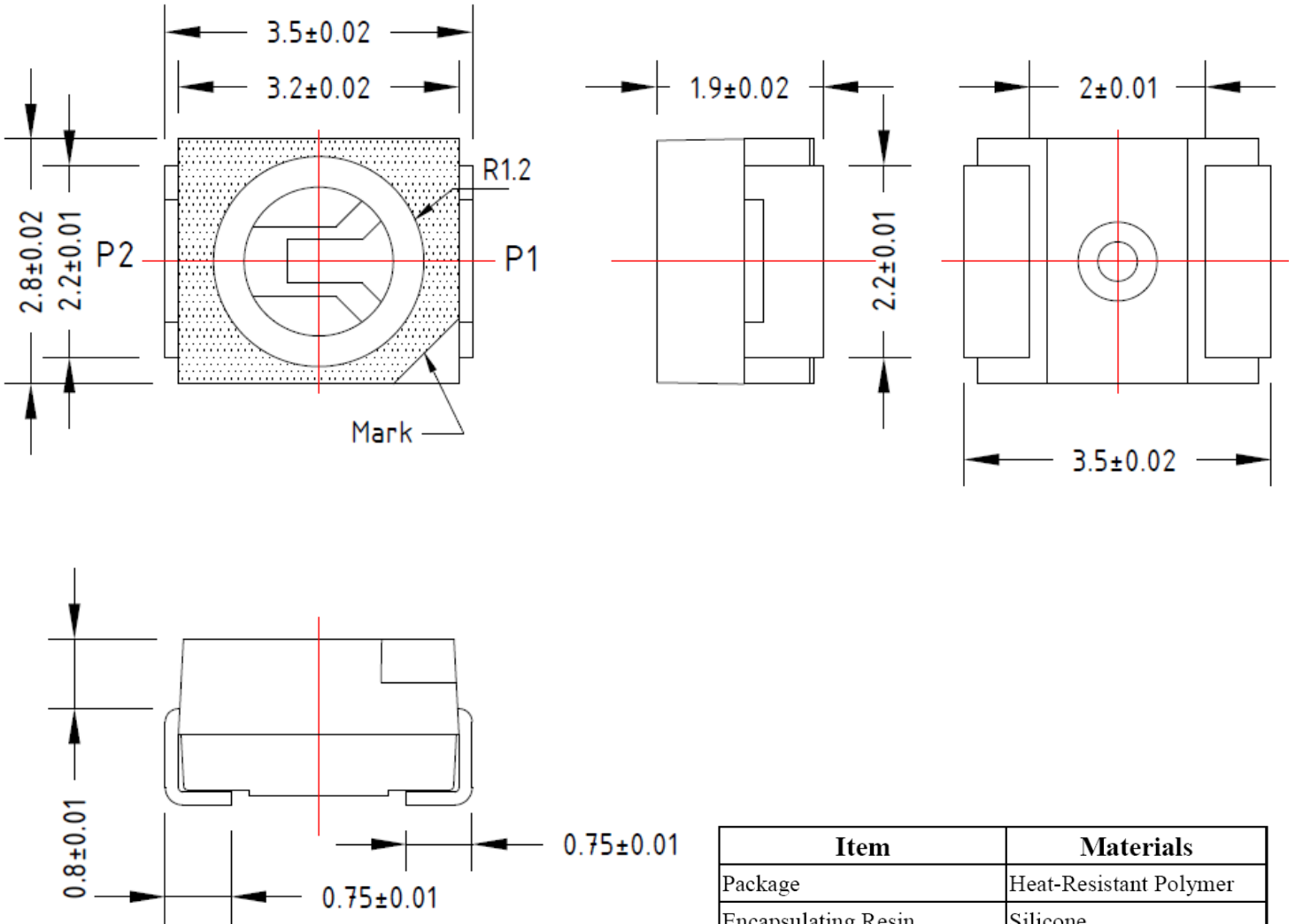


# American Opto Plus LED Corp.

## L955MPGC-TD

3.5 x 2.8 x 1.9 mm Pure Green PLCC2 LED

### PACKAGE SPECIFICATIONS



Item	Materials
Package	Heat-Resistant Polymer
Encapsulating Resin	Silicone
Electrodes	Ag Plating Copper Alloy

#### NOTES:

1. All dimensions in mm
2. Electrical connection between all cathodes is recommended
3. Specifications are subject to change without notice

Chip Material	Chip Emitted	Lens Color	Viewing Angle
InGaN	Pure Green	Water Clear	120



# American Opto Plus LED Corp.

## L955MPGC-TD

3.5 x 2.8 x 1.9 mm Pure Green PLCC2 LED

### ABSOLUTE MAXIMUM RATINGS

(Ta=25°C)

Parameter	Symbol	Ratings	Unit
DC Forward Current	I <sub>F</sub>	30	mA
Peak Pulsed Forward Current	I <sub>FP</sub>	100	mA
Reverse Voltage	V <sub>R</sub>	5	V
Power Dissipation	P <sub>d</sub>	72	mW
Operating temperature range	Topr	-30~+100	°C
Storage temperature range	Tstg	-40~+100	°C
Solder Dipping Temperature	Tsld	265°C for 10 sec	

### OPTICAL-ELECTRICAL CHARACTERISTICS

(Ta=25°C)

Parameter	Symbol	Condition	Min	Typ	Max	Unit
Forward Voltage	V <sub>F</sub>	If=20mA	--	3.2	3.8	V
Luminous Flux	Φ <sub>V</sub>		--	3500	--	mlm
Luminous Intensity	I <sub>V</sub>		880	1200	--	mcd
Dominant Wavelength	λ <sub>d</sub>		515	525	535	nm
Peak Wavelength	λ <sub>p</sub>		--	515	--	nm
Spectral Half Width	Δλ 1/2		--	28	--	nm

- Measurement Uncertainty of Luminous Intensity: ±10%
- Please refer to CIE 1931 chromaticity diagram



# American Opto Plus LED Corp.

## L955MPGC-TD

3.5 x 2.8 x 1.9 mm Pure Green PLCC2 LED

### Luminous Intensity Bin Table

IF=20mA

Rank Name	Min (mcd)	Max (mcd)
P	880	1150
Q	1150	1500
R	1500	1900
S	1900	2500

Tolerance for each bin limit is  $\pm 15\%$

### Color Bin Table

IF=20mA

Rank Name	Min (nm)	Max (nm)
1	515	520
2	520	525
3	525	530
4	530	535

Tolerance for each bin limit is  $\pm 1\text{nm}$

#### Notes:

1. One delivery will include several color ranks and  $I_v$  ranks of products.  
The quantity-ratio of the different rank is decided by AOP.
2. Bin Name typed on the Label: IV RANK + Color Rank.  
For Example, **BIN S2 Means IV: 1900 ~ 2500mcd, Color:520~525nm**
3. Static Electricity or Surge Voltage damages the LEDs.  
It is recommended to use a wrist band or Anti-Electrostatic glove when handling the LEDs.
4. AOP has the right to update the information without notice.  
Please double confirm the Spec details before placing an order



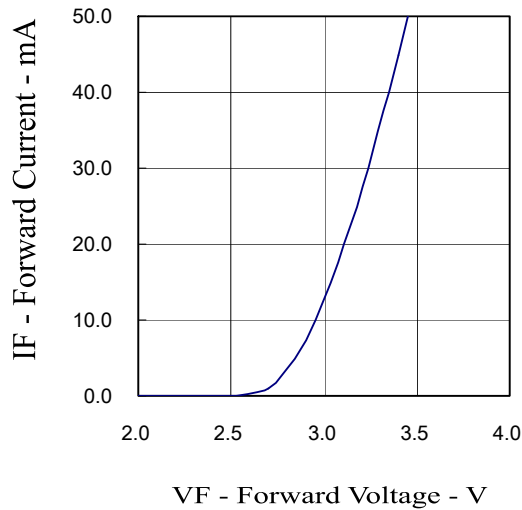
# American Opto Plus LED Corp.

## L955MPGC-TD

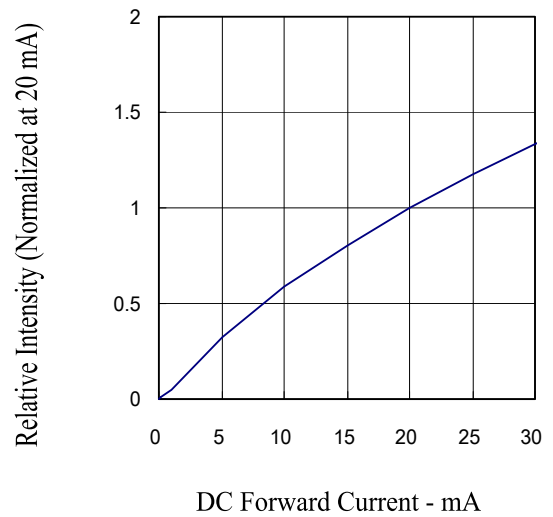
3.5 x 2.8 x 1.9 mm Pure Green PLCC2 LED

### TYPICAL ELECTRICAL-OPTICAL CHARACTERISTIC CURVES

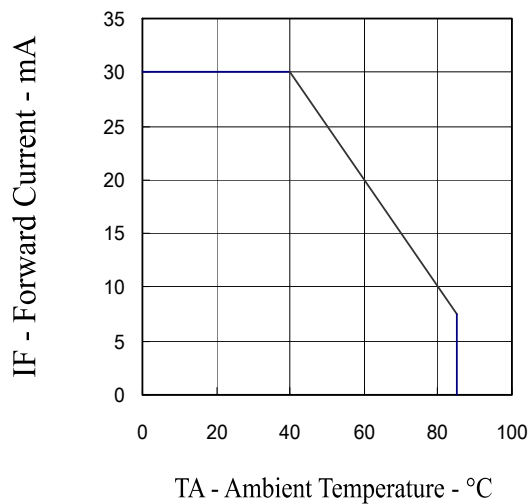
Forward Current vs. Forward Voltage



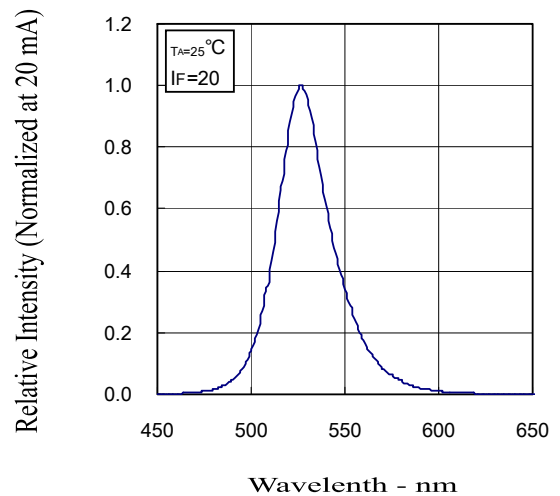
Relative Intensity vs. Forward Current



Forward Current vs. Ambient Temperature



Relative Intensity vs. Wavelength



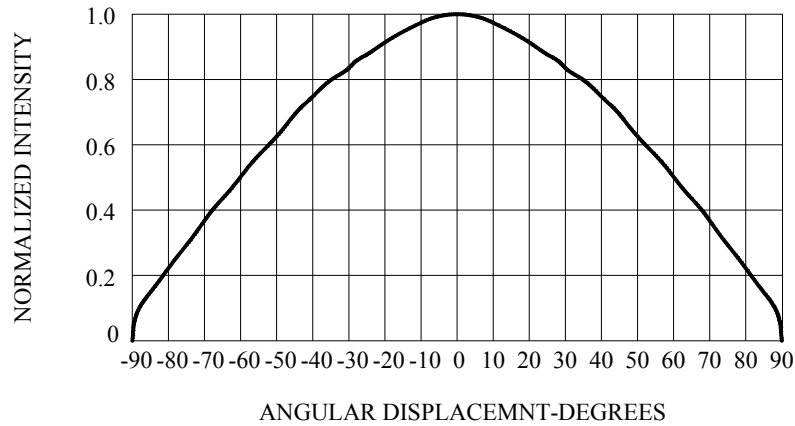


# American Opto Plus LED Corp.

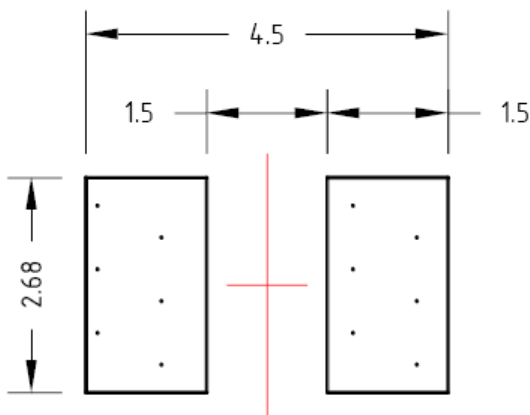
## L955MPGC-TD

3.5 x 2.8 x 1.9 mm Pure Green PLCC2 LED

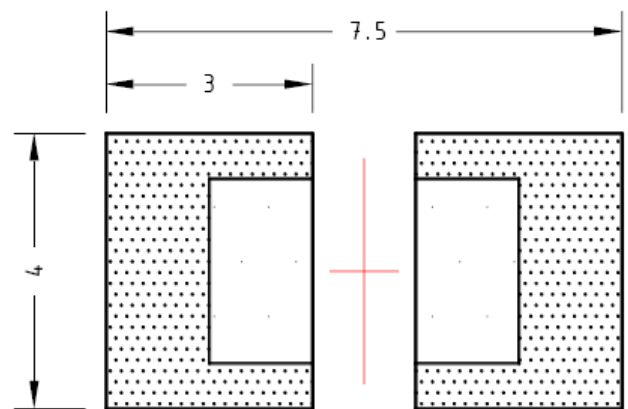
### RADIATION PATTERN



### RECOMMENDED SOLDERING PATTERN



(Unit:mm)



 Solder resist(Unit:mm)

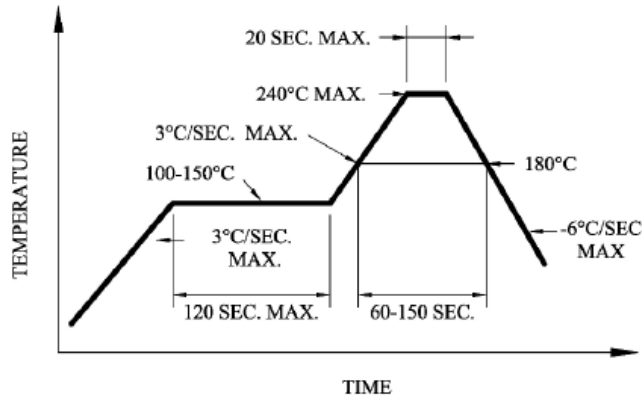


# American Opto Plus LED Corp.

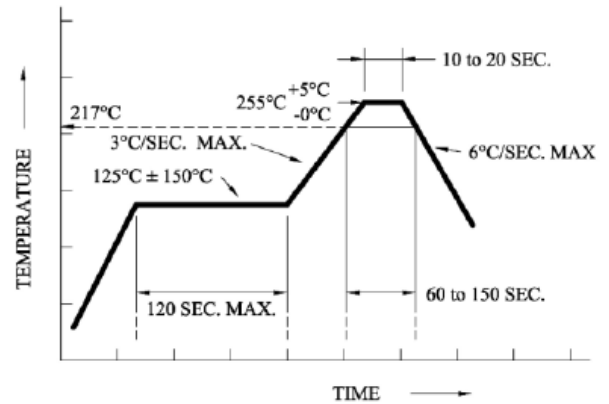
## L955MPGC-TD

3.5 x 2.8 x 1.9 mm Pure Green PLCC2 LED

### SOLDERING CONDITIONS



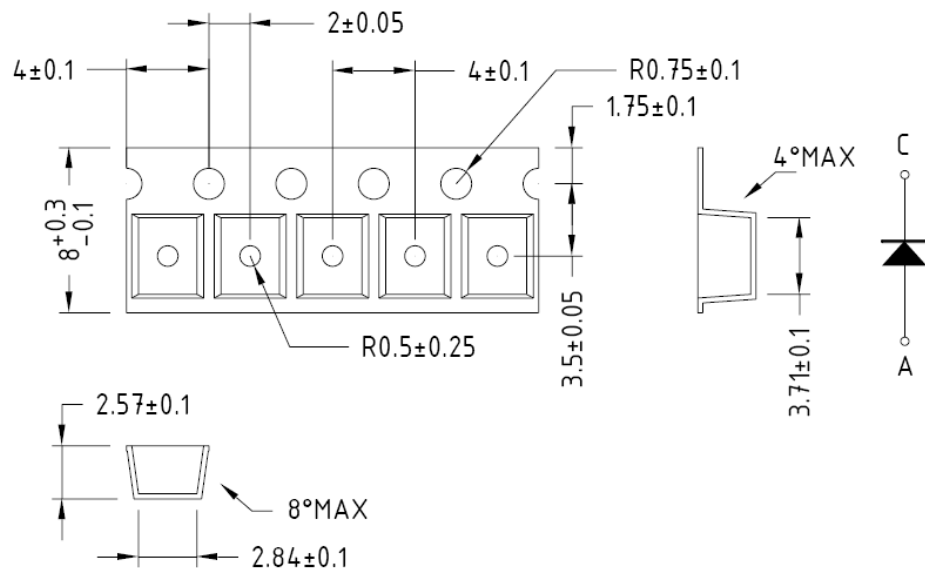
**Recommended reflow soldering profile**



**Recommended Pb-free reflow soldering profile.**

- Repairing should not be done after the LEDs have been soldered. When repairing is unavoidable, a double-head soldering iron should be used. It should be confirmed beforehand whether the characteristics of the LEDs will or will not be damaged by repairing.
- Reflow soldering should not be done more than two times.
- When soldering, do not put stress on the LEDs during heating.
- After soldering, do not warp the circuit board.

### TAPE DIMENSION



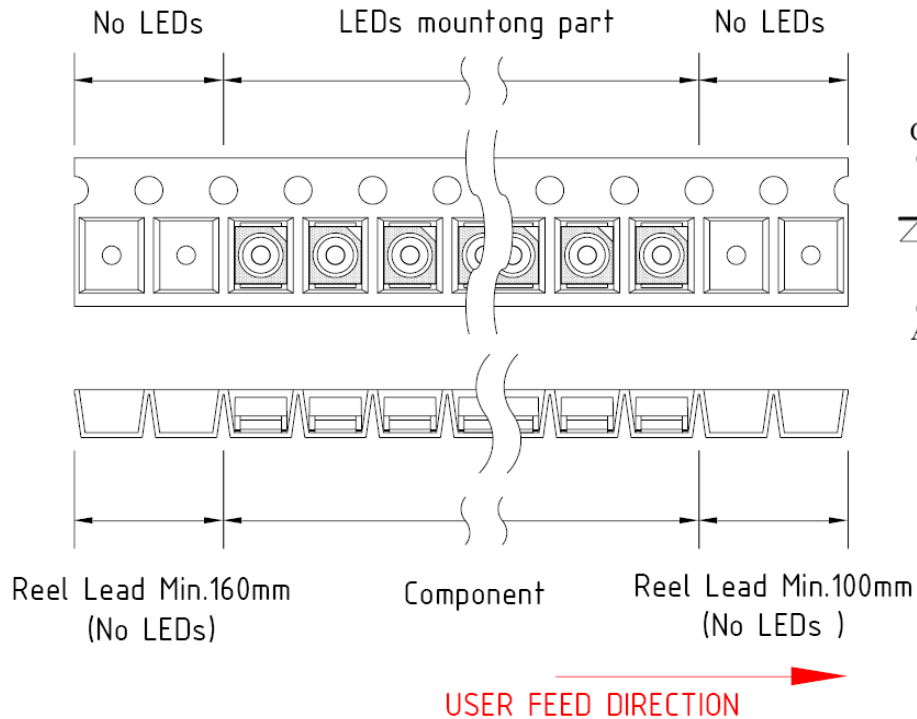


# American Opto Plus LED Corp.

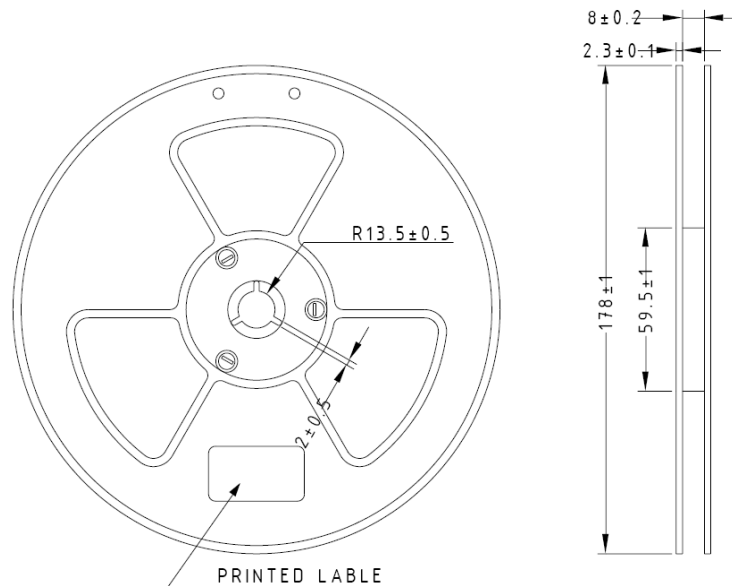
## L95MPGC-TD

3.5 x 2.8 x 1.9 mm Pure Green PLCC2 LED

### TAPE LEADER AND TRAILER DIMENSION



### REEL DIMENSION



Note : Baking is required under the following conditions:  
The pack has been opened for more than four weeks.  
Baking recommended conditions:  
 $60 \pm 5$  °C for 20 hours.  
Reel Size: 2000 pcs