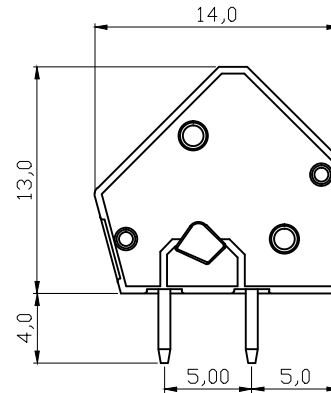
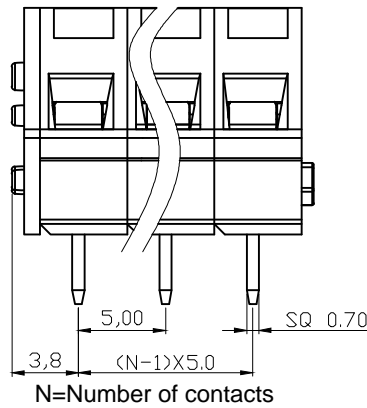


Recommended PCB Layout



**MATERIAL**

1. Insulator (housing): Thermoplastic (UL 94V-0) Grey(7004)
2. Spring Clamp : Stainless steel
3. Surface of solder tail: Tin plated
4. Terminal body(Contact pin): Brass

**ELECTRICAL**

1. Current Rating : 15A
2. Voltage Rating : 300V AC
3. Solid wire(AWG): 12-28
4. Stranded wire(AWG): 12-28
5. Wire strip length: 6-7 mm
6. Withstand Voltage : 1.6KV

**ENVIRONMENTAL**

1. Soldering Temperature: 250°C ±10°C/5 Sec
2. Operating Temperature: -40°C to +115°C
3. Safety approval: us

**RoHS compliant**

Unit: mm



File No.: E349947

Scale	1:1					Date	Name	Customer-No.
TOLERANCE						Drawn	15.12.2008	Dean
X.	±0.50					Approved	18.04.2016	Joanna
X.X	±0.30							
X.XX	±0.10	③	Add UL	18.04.2016	Joanna			ASSMANN WSW-No. <b>A-TB500-HGxx</b>
DIM	TOL	②	Updated	19.10.2010	Rale			Drawing-No. <b>ASS 3215 CO</b>
X.°	±1°	①	Drawn	15.12.2008	Dean			rev03
X.X°	±X°	①	Drawn	15.12.2008	Dean			Replace
Angle	TOL	Id.	Modification	Date	Name			